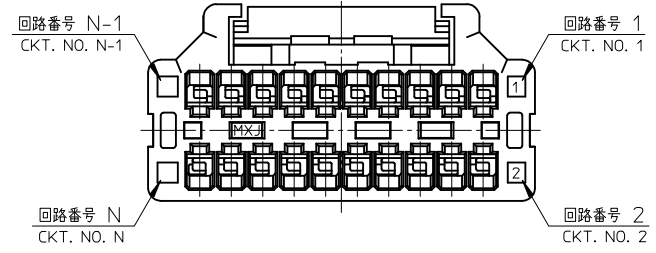
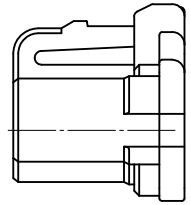
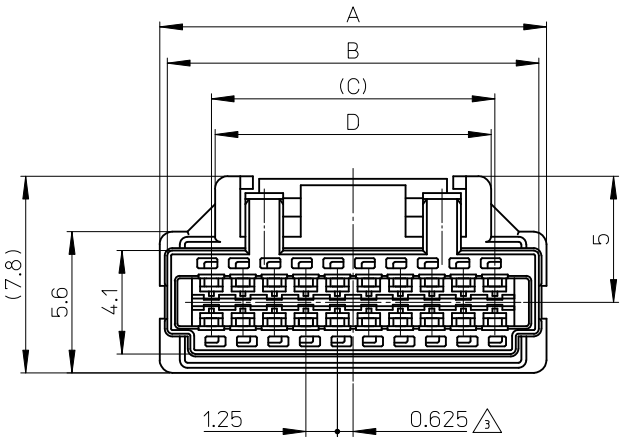
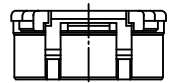


ターミナル装着図
TERMINAL ASSEMBLY DRAWING

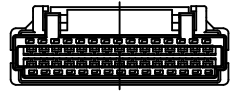


NOTES

- △ 適合ターミナル: 501930-****
APPLICABLE TERMINAL : 501930-****
- 2. 嵌合相手: 501931-****, 502046-****
MATE WITH : 501931-****, 502046-****
- △ 極数/2=偶数に適用。
APPLY FOR CKT. SIZE / 2 = EVEN.
- 4. アプリケーション仕様書(コネクタ取扱説明書)
AS-503110-001, AS-503110-002
APPLICATION SPECIFICATIONS (CONNECTOR MANUAL)
AS-503110-001, AS-503110-002
- 5. 製品仕様書: PS-501931-002
Product specification: PS-501931-002
- 6. ELV 及び RoHS 適合品
ELV AND RoHS COMPLIANT



20ckt.



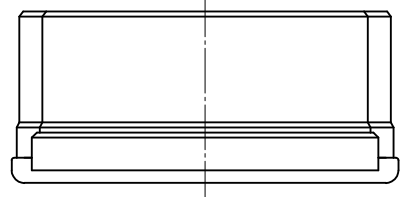
30ckt.



40ckt.

極数の種類 (正面図)

KIND OF CKT. NO. (FRONT VIEW)



23.45	23.75	27.25	27.85	503110-4000	40
17.2	17.5	21	21.6	503110-3000	30
10.95	11.25	14.75	15.35	503110-2000	20
D	C	B	A	PLASTIC BAG	極数
オーダー番号 ORDER No.					CIRCUITS

CONNECTOR SERIES No. 503110-***00

REVISED EC NO: J2012-0332 DRWN: NITO 2011/09/01 CHKD: KASAKAWA 2011/10/05 APPR: Y01TO 2011/11/17	GENERAL TOLERANCES (UNLESS SPECIFIED)		DIMENSION STYLE MM ONLY		SCALE 5:1	DESIGN UNITS METRIC	THIRD ANGLE PROJECTION
	10 UNDER	±0.2	DRAWN BY N. NISHI	DATE 2007/11/16	TITLE 1.25 W/B CONN.DUAL PLUG HOUSING		
	10 OVER 30 UNDER	±0.25	CHECKED BY K. ASAKAWA	DATE 2007/11/16	MATERIAL NO. SEE TABLE		
	30 OVER	±0.3	APPROVED BY Y0. ITO	DATE 2007/11/16	DOCUMENT NO. SD-503110-001		
	ANGULAR ±3 °		MATERIAL NO. SEE TABLE		SHEET NO. 1 OF 1		
DRAFT WHERE APPLICABLE MUST REMAIN WITHIN DIMENSIONS		THIS DRAWING CONTAINS INFORMATION THAT IS PROPRIETARY TO MOLEX INCORPORATED AND SHOULD NOT BE USED WITHOUT WRITTEN PERMISSION					

部品 PART	材質 MATERIAL
ハウジング HOUSING	ポリエステル(PBT) UL94V-0 色: 白 POLYESTER(PBT) UL94V-0 COLOR: WHITE