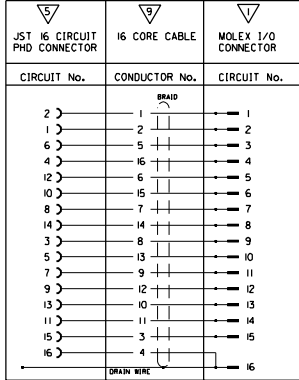
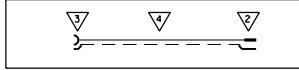


PARTIAL VIEW
SCALE 5:1

WIRING DIAGRAM : 16 CORE CABLE

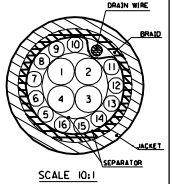


WIRING DIAGRAM : RF CABLE



CABLE SPECIFICATION : 16 CORE CABLE

LOCABLE TYPE:	FLAT <input type="checkbox"/>	REBOND <input type="checkbox"/>	ROUND <input type="checkbox"/>	OTHER <input type="checkbox"/>
	SPIRAL CABLE <input type="checkbox"/>	YES <input type="checkbox"/>	NO <input type="checkbox"/>	
	NO. OF CONDUCTORS	16		
3. CABLE REQUIREMENTS : N/A				
3. CONDUCTOR SPECIFICATIONS :				
	CONDUCTOR NO.			
	1 - 4	5 - 16		
CONDUCTOR :	CENTRE	OUTSIDE		
- MATERIAL	TINNED CU	TINNED CU		
- A.B.C.	30	30		
- STRANDING QTY/GAUGE	1/30	1/38		
- TENSILE STRENGTH	N/A	N/A		
INSULATION :				
- MATERIAL	PVC	PVC		
- MIN. WALL THICKNESS	0.22 REF	0.20 REF		
- CO. DUT.	AS SPECIFIED IN IEC 62 INDEX S.1			
- OUTSIDE DIAMETER	LOW REF	0.80 REF		
DIRECTION OF LAY	7	5		
LENGTH OF LAY	65.0 REF			
UL-RATING	UL - 2464			
4. FILLER : ENOUGH TO MAKE THE ASSEMBLY ROUND				
5. SEPARATOR : POLYESTER FILM				
6. SLEEVE :	FOIL TYPE	N/A		
	FOIL FACING	N/A		
7. DRAIN WIRE :	GAUGE	26 AWG		
	STRANDING	1/34		
	REQUIREMENT	DRAIN TO BE ON THE OUTSIDE OF THE SEPARATOR		
8. SPIRAL/BRAID :	GAUGE	24 x 8 x 0.1		
	COPPER TYPE	TINNED CU		
	COVERAGE	80 %		
9. CABLE JACKET :	TYPE	PVC		
	FINAL DIAMETER	0.80 REF		
	MIN. THICKNESS	BLACK		
	COLOR	BLACK		
	FINISH	MATT		
	UL-RATING	UL - 2464		
	HARDNESS			
	STRIPPABILITY			
	MARKINGS	"24851-21303-A101" YEAR / MONTH "XX" PRINTED IN WHITE		
10. PACKAGING : PACKAGING SEE PACKAGING SPECIFICATION ESTABLISHED BY LOCAL PURCHASING AND MANUFACTURING DEPARTMENTS.				

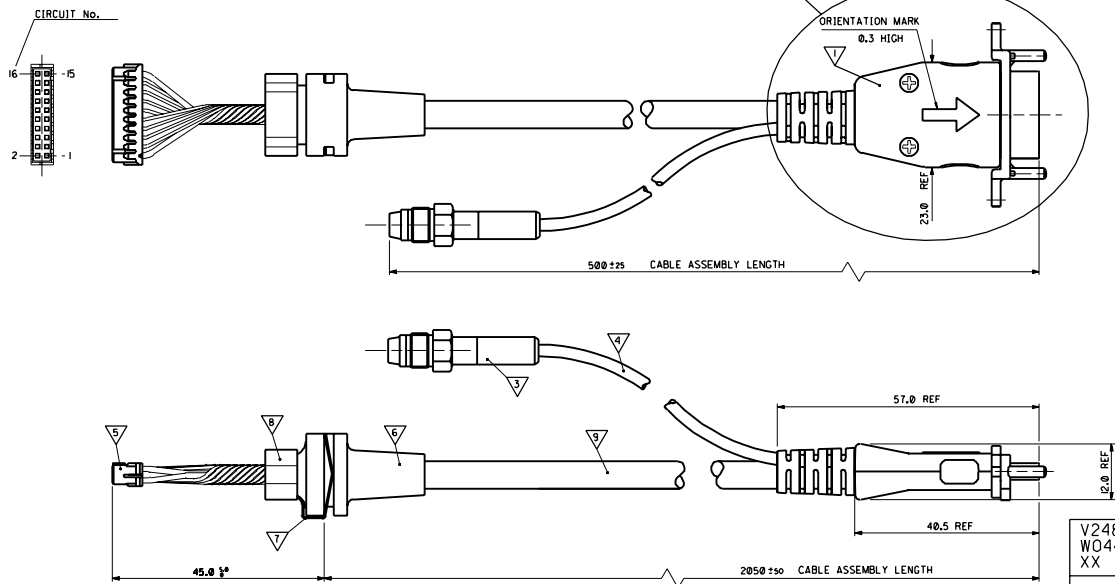


BILL OF MATERIALS

NO.	QUANTITY	SUPPLIER	DESCRIPTION	PART No.	SEE NOTE
1	1	MOLEX	16 CIRCUIT 1/0 MOBILE PHONE CRADLE CONNECTOR	90812-0001	1, 2, 3
2	1	MOLEX	COAXIAL RF CONNECTOR	90853-0001	5
3	1	ROSENBERGER	COAXIAL RF CONNECTOR	26K101-102	5
4	1	NO PREFERRED SUPPLIERS	COAXIAL CABLE 50 OHM	RG 174 A/U	5
5	1/2	JST	16 CIRCUIT CONNECTOR CRIMP TERMINAL 30 AWG CRIMP TERMINAL 22 AWG	PHDR-16VS SPHD-0031-PO.5 SPHD-0011-PO.5	3, 5
6	1	HELLERMANN	CABLE SUPPORT SLEEVE PVC BLACK	634-01210 (H12 I)	5
7	1	GRIES	CONTACT	C24158-A37 -C4-1	5
8	1	SAHLBERG	CLAMP	9-11	5
9	1	MOLEX	16 CORE CABLE SEE CABLE SPECIFICATION	99036-0001	5
10	10	NO PREFERRED SUPPLIERS	1/6 BORE HEAT SHRINK INSULATION TUBING	90848-0005	4, 5
11	1	MOLEX	MOULDED ON GROMMET		5, 6
12	1	NO PREFERRED SUPPLIERS	CRIMP RING	98875-0001	5
13	1	NO PREFERRED SUPPLIERS	HEAT SHRINK TUBING	90848-0007	4, 5

NOTES:

- MATES WITH 90811 SERIES HANDSET CONNECTOR
- SEE PRODUCT SPECIFICATION No. PS-99020-0033
- POWER CONTACTS TO BE ON CIRCUITS 1,2,15 & 16.
- CABLE CONDUCTORS 1,2,3,6,8,10,11,12,13,15 & RF TO BE COVERED WITH HEAT SHRINK TUBING.
- ONLY AVAILABLE FROM MOLEX AS PART OF A CABLE ASSEMBLY.
- SEE GROMMET SPECIFICATION ES-99038-0001
- PACKAGING : SEE PACKAGING SPECIFICATION ES-99039-0002, LABELED AS SHOWN YEAR AND MONTH "XX", TO BE PRINTED ACCORDING TO IEC 62 INDEX S.1.
- SEE TERMINATION SPECIFICATION ES-99033-0003.



V24851-Z1303-A101-1
W0447
XX MXI
MOLEX 90812-1001

FOR PREVIOUS DRAWING ISSUES SEE MRL.

DATE OF APPROVAL
DATE OF REVISE
REVISIONS
DESIGN APPROVED
DATE OF APPROVAL
DATE OF REVISE
REVISIONS
DESIGN APPROVED

REVISE ONLY ON CAD SYSTEM

MOLEX EUROPE

SYSTEM CONNECTOR CRADLE ASSEMBLY

MOLEX EUROPE

90812-1001 SDA-90812-1001