

| PART NUMBER | ENG. NO     | FINISHED LENGTH   |
|-------------|-------------|-------------------|
| 1300240214  | DND10A-M005 | 1FT 8IN [0.5M]    |
| 1300240215  | DND10A-M010 | 3FT 3IN [1.0M]    |
| 1300240223  | DND10A-M100 | 32FT 10IN [10.0M] |

(B) CABLE LENGTH TOLERANCES

<.3M [1FT]: +19mm-0 [ +.75in-0]

.3 - .9M [1 - 3FT]: +44.5mm-0 [+1.75in-0]

.9 - 1.8M [3 - 6FT]: +55.6mm-0 [+2.19in-0]

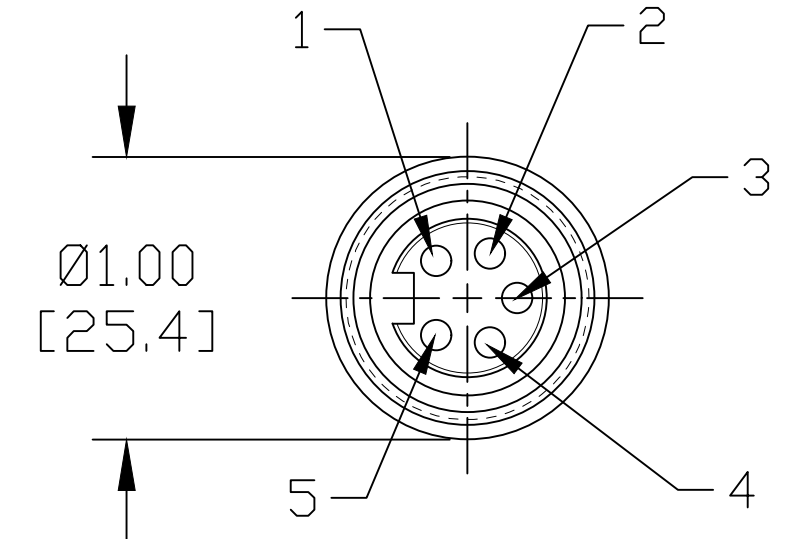
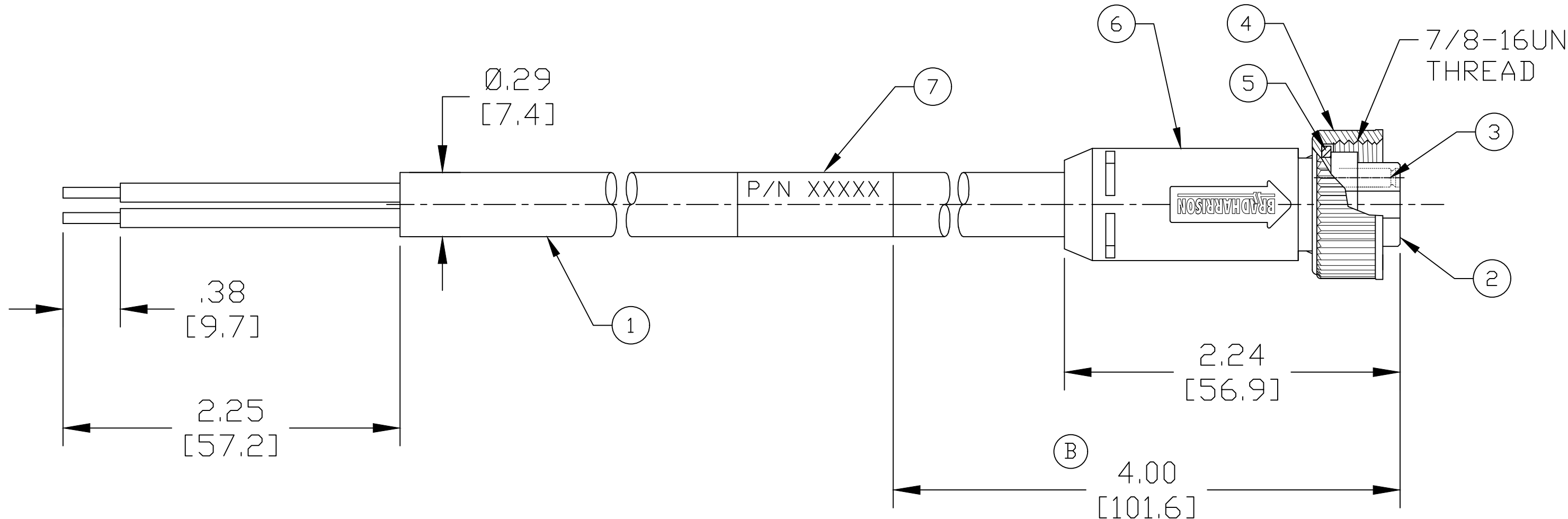
1.8 - 3.7M [6 - 12FT]: +88.9mm-0 [+3.50in-0]

3.7 - 7.3M [12 - 24FT]: +165.1mm-0 [+6.50in-0]

7.3-14.6M [24 - 48FT]: +317.5mm-0 [+12.50in-0]

14.6 - 30.5M [48-100FT]: +622.3mm-0 [+24.50in-0]

OVER 30M [100FT] +2% OF FINISHED LENGTH



WIRING DIAGRAM

|   |       |
|---|-------|
| 1 | DRAIN |
| 2 | RED   |
| 3 | BLACK |
| 4 | WHITE |
| 5 | BLUE  |

- NOTES:
- MATERIAL: AS NOTED
  - FINISH: AS NOTED
  - ELECTRICAL:  
VOLTAGE: 300V PER IEC 60664 (B)  
300V PER UL 2238  
CURRENT: 4A
  - TEMP RATING: -20°C TO +80°C
  - PROTECTION: IP67 (WHEN MATED)
  - COUPLING THREAD: AS NOTED
  - UL RECOGNIZED FILE: E152210  
CSA RECOGNIZED FILE: LR6837
  - ALL DIMS ARE FOR REFERENCE UNLESS TOLERANCED OR NOTED OTHERWISE

PART NO. LEGEND

**DND10A-M010**

CABLE TYPE DEVICE-NET

FINISHED LENGTH  
M005----0.5 Meter  
M010----1 Meter  
M100----10 Meter

| ITEM | DESCRIPTION               | MATERIAL      | FINISH       |
|------|---------------------------|---------------|--------------|
| 7    | WRAP LABEL                | VINYL         | BLACK/YELLOW |
| 6    | OVERMOLD                  | TPE (B)       | GRAY         |
| 5    | FRICTION RING             | NYLON         | WHITE        |
| 4    | COUPLING NUT, INT. THD    | ZINC DIE-CAST | BLACK E-COAT |
| 3    | CONTACT SOCKET            | COPPER ALLOY  | GOLD PLATED  |
| 2    | FEMALE INSERT             | TPE (B)       | BLACK (B)    |
| 1    | CABLE, 22AWG DEV-NET DROP | PVC JACKET    | GRAY         |

THIS DRAWING CONTAINS INFORMATION THAT IS PROPRIETARY TO MOLEX ELECTRONIC TECHNOLOGIES, LLC AND SHOULD NOT BE USED WITHOUT WRITTEN PERMISSION

|                    |  |                        |  |
|--------------------|--|------------------------|--|
| FUNCTIONAL SYMBOLS | DIMENSION UNITS                                      | SCALE                  | CURRENT REV DESC: REV NOTES, LABEL DIM WAS 12/14 IN, O-MOLD WAS PVC, INSERT WAS PVC GRAY ADD CABLE LENGTH TOL, UPDATE BORDER |
| FA=0               | INCH/MM  | NTS                    |  |
| EC=0               | GENERAL TOLERANCES (UNLESS SPECIFIED)                |                        |  |
| EP=0               | mm   | INCH                   |  |
| DIVISIONAL SYMBOLS | 4 PLACES   | ±----                  | EC NO: 688872  |
|                    | 3 PLACES   | ±----                  | DRWN: RSTONE 2021/12/14  |
|                    | 2 PLACES   | ±----                  | CHK'D: ALEON01 2021/12/15  |
|                    | 1 PLACE  | ±----                  | APPR: BWOODMAN 2021/12/15  |
|                    | 0 PLACES   | ±----                  | INITIAL REVISION:  |
|                    | ANGULAR TOL ± ---- °                                 |                        | DRWN: E BRACKEN 2013/09/12   |
|                    | DRAFT WHERE APPLICABLE MUST REMAIN WITHIN DIMENSIONS | THIRD ANGLE PROJECTION | APPR: BWOODMAN 2013/10/07  |

PRODUCT CUSTOMER DRAWING

DOCUMENT NUMBER: SD-130024-018

DOC TYPE/DOC PART/REVISION: PSD 001 B

MATERIAL NUMBER: SEE P/N LEGEND

CUSTOMER: GENERAL MARKET

SHEET NUMBER: 1 OF 1