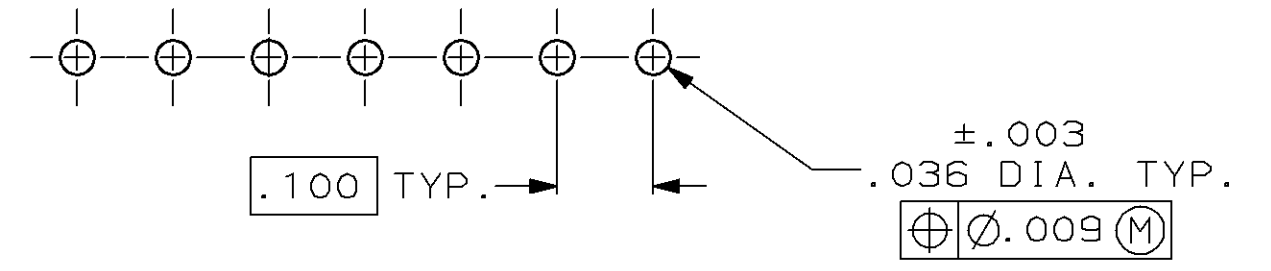
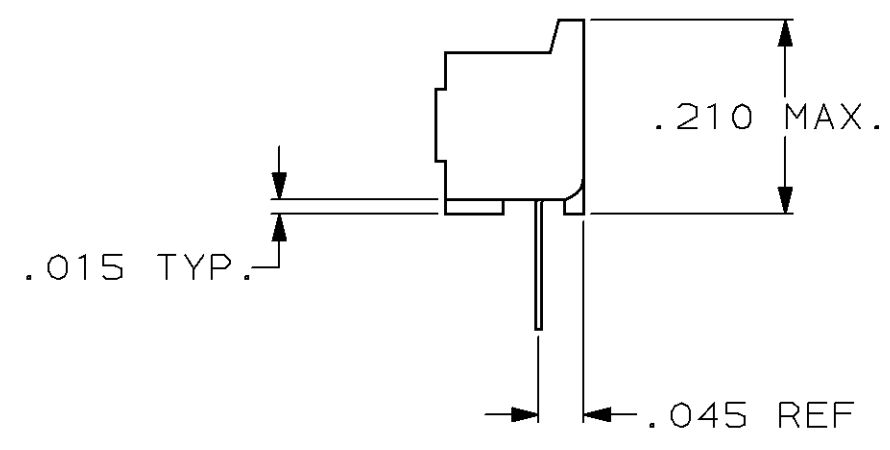
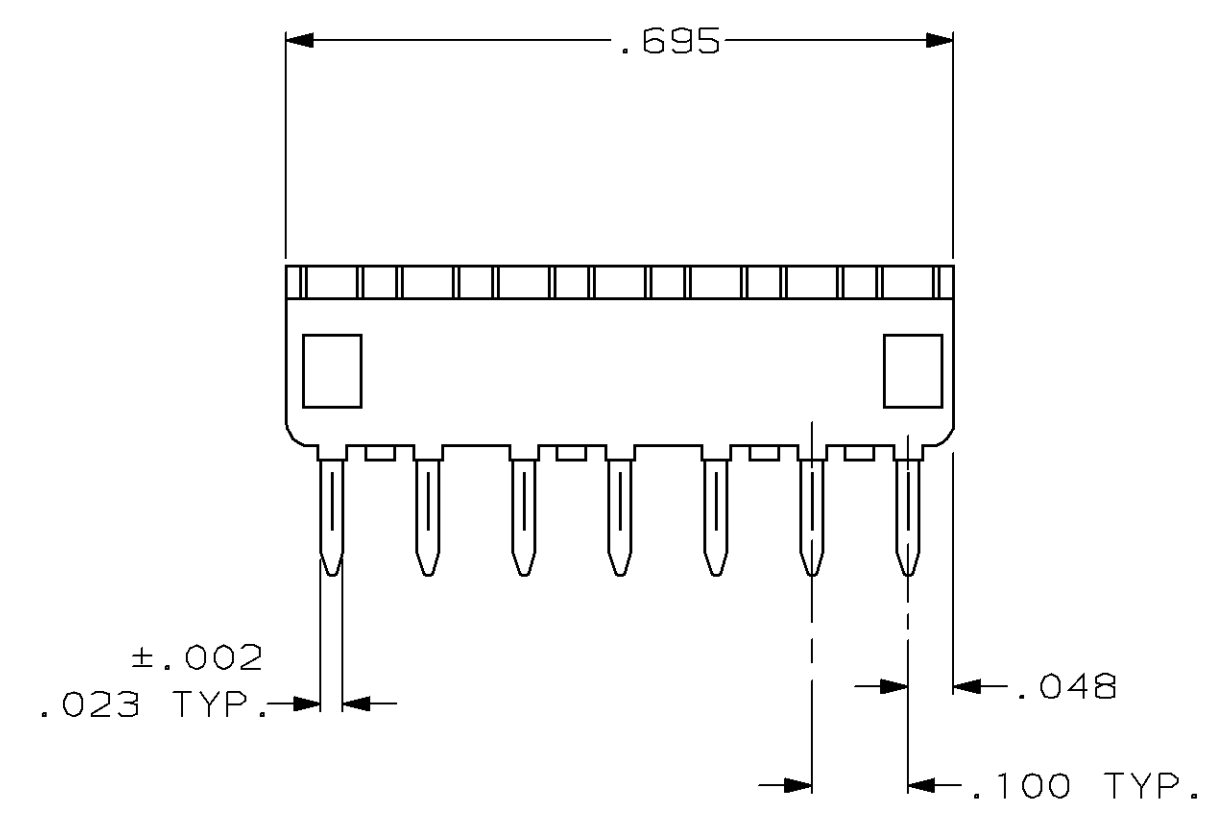
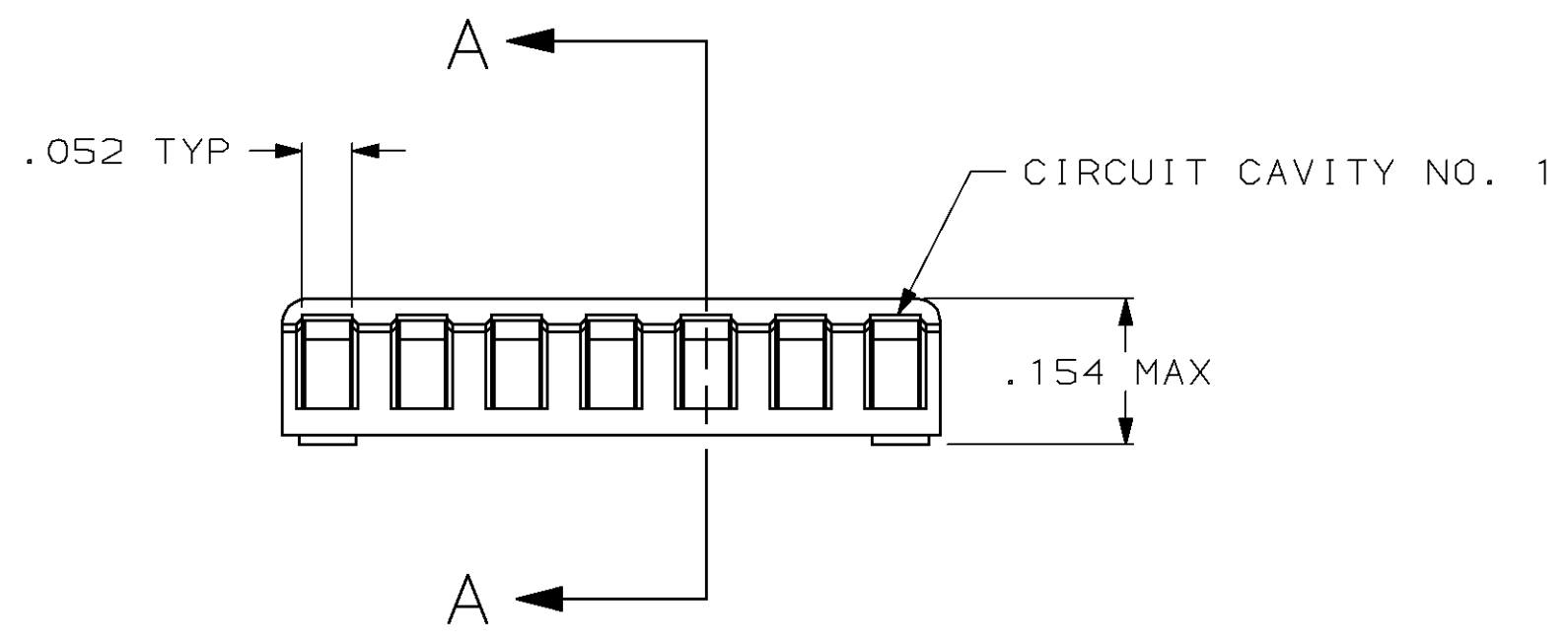
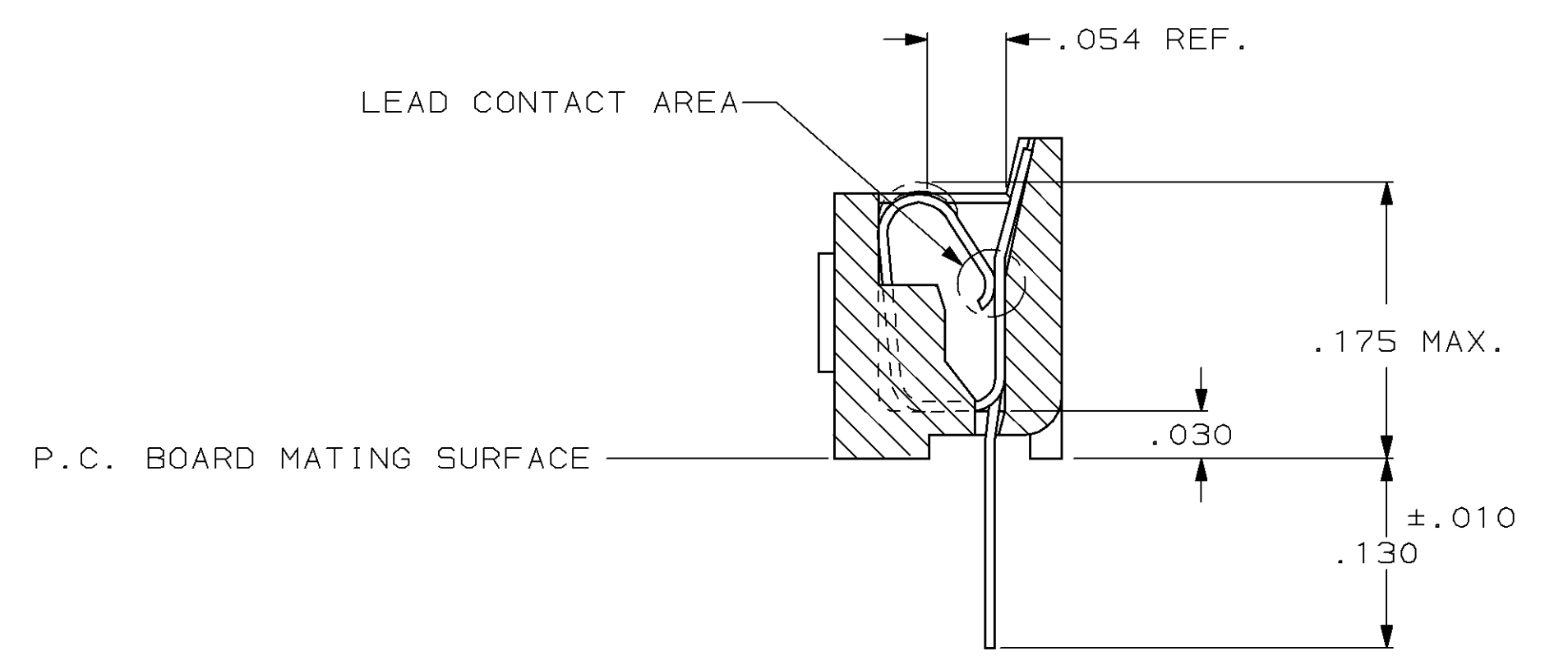


LOC	DIST	REVISIONS			
P	LTR	DESCRIPTION	DATE	OWN	APPD
FT	64	A	REV PER EC 0320-138-97	28 APR 97	BC GJ
		B	REV PER EC 0330-35-97	21 JUL 97	DH GJ



1. RECEPTACLE ACCEPTS AN .008-.014 THK. I.C. LEAD.



SECTION A-A
 ROTATED 90° CW
 SCALE 10:1

TINNED	PHOS.BRZ.	GLASS-FILLED THERMOPLASTIC, 94V-0, BLACK	382441-3
TINNED	BE.CU.	GLASS-FILLED THERMOPLASTIC, 94V-0, BLACK	382441-1
CONTACT FINISH	CONTACT MAT'L	HOUSING MATERIAL	PART NO.

THIS DRAWING IS A CONTROLLED DOCUMENT.		DWN K. SALMON 24 JAN 90	AMP Incorporated Harrisburg, PA 17105-3508
DIMENSIONS IN INCHES		CHK R. MILLER 26 JAN 90	NAME R. PRIDDY 25 JAN 90
TOLERANCES UNLESS OTHERWISE SPECIFIED:		PRODUCT SPEC 108-1066	RESTRICTED TO
0 PLC	±-	APPLICATION SPEC 114-1049	SIZE A1
1 PLC	±-	WEIGHT	CAGE CODE 00779
2 PLC	±-	FINISH	DRAWING NO. 382441
3 PLC	±.005		SCALE 5:1
4 PLC	±-		SHEET 1 OF 1
ANGLES	±-		REV B

CUSTOMER DRAWING