

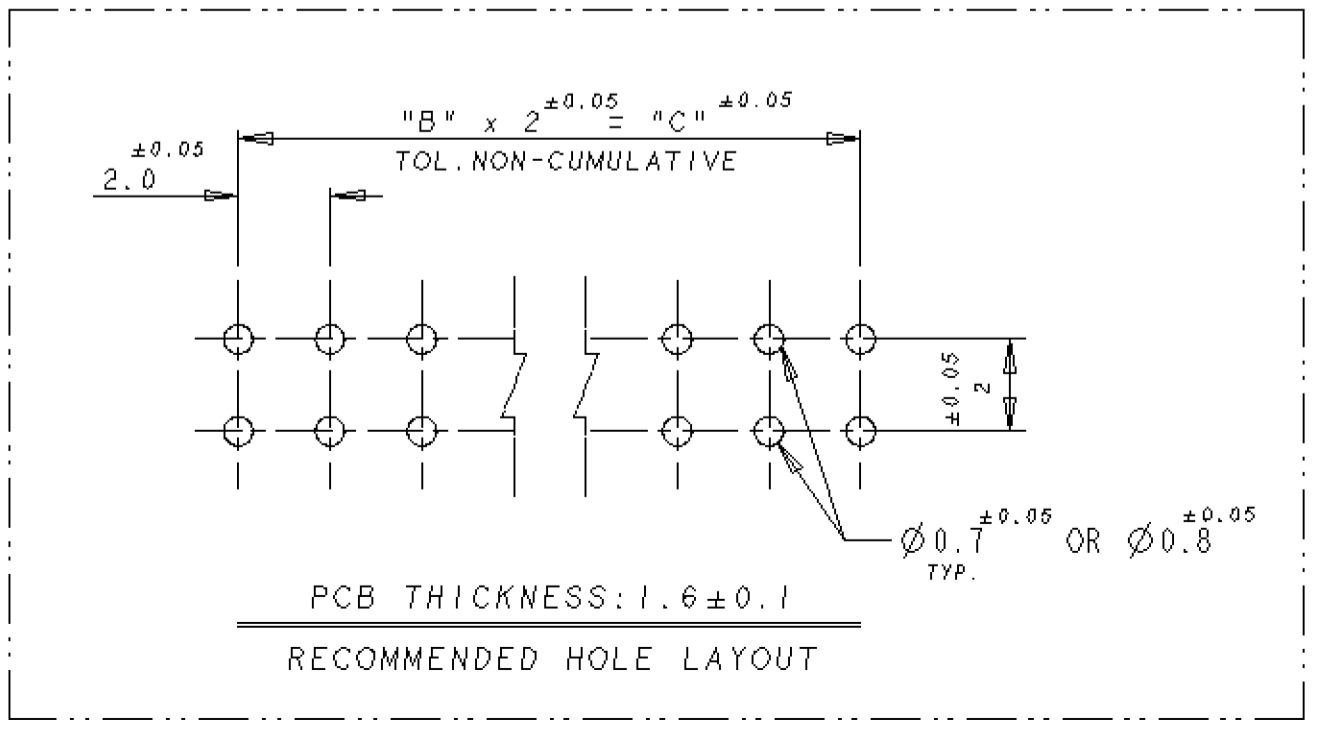
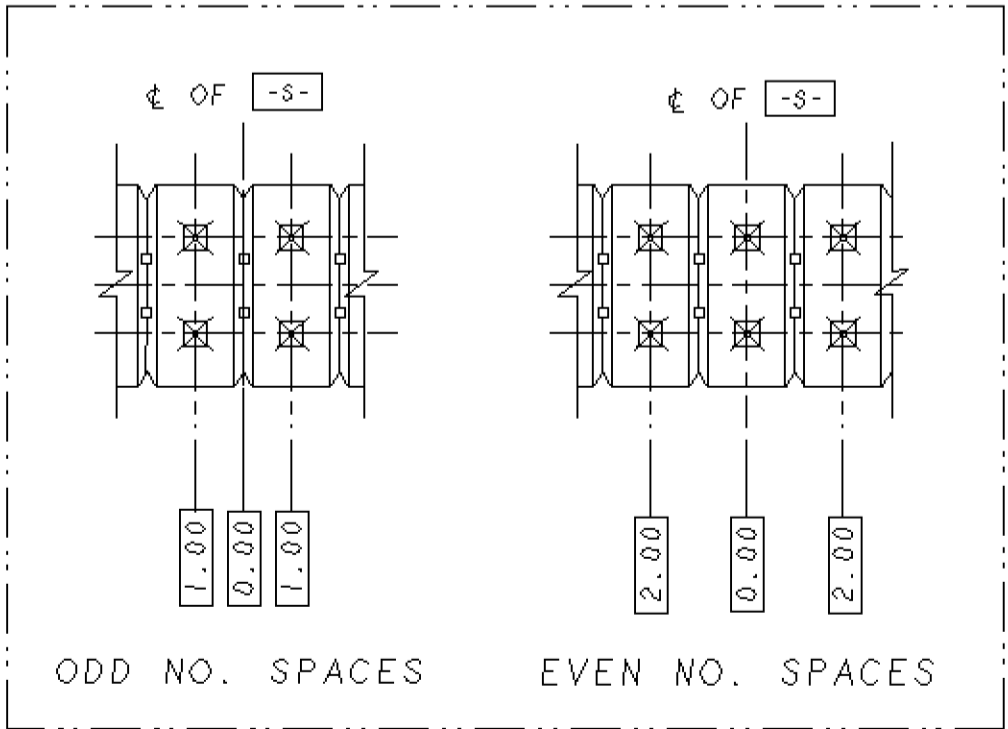
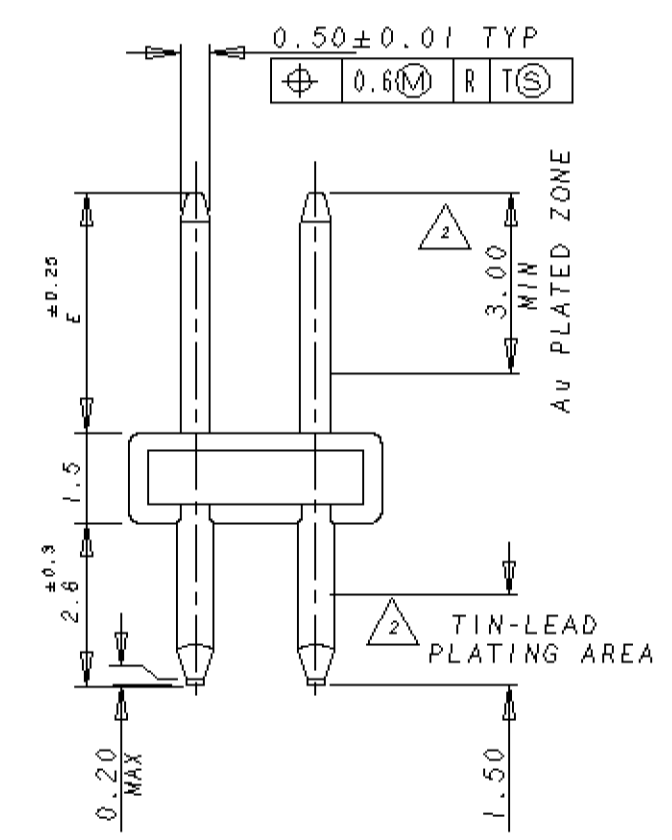
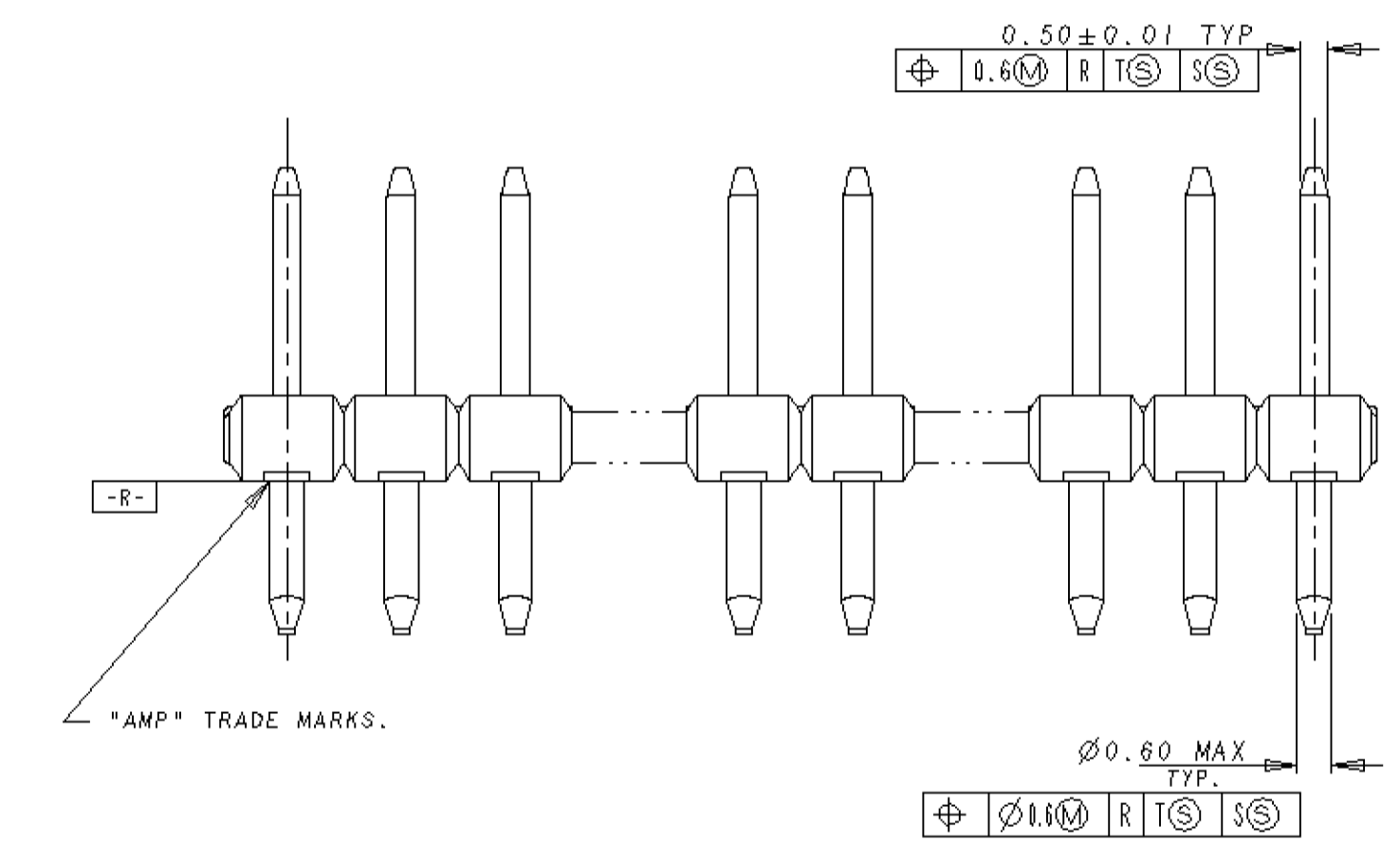
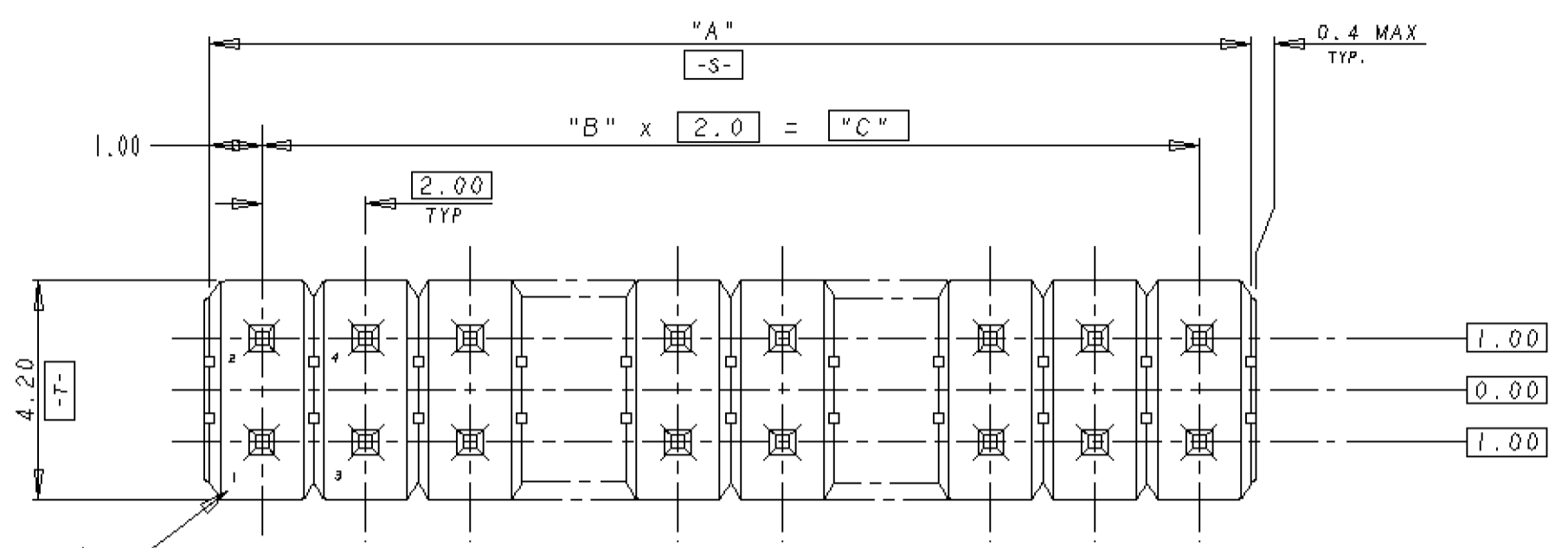
NUMBER  
176264

METRIC

CONFIDENTIAL INFORMATION

DIMENSIONS IN MILLIMETERS. DO NOT SCALE PRINT

PRINT DIST  
AMP-2  
REV. 10/93



NOTES:

- 1 MATERIAL HOUSING: THERMOPLASTIC, UL 94V-0.  
POST : BRASS
- 2 FINISH CONTACT AREA, "D" MIN AU  
ON NICKEL 0.0013 MIN ALL OVER  
POST TINE: 0.002 MIN TIN-LEAD
- 3 POST POSITION NUMBERS FOR REFERENCE ONLY.

|          |             |      |         |     |            |     |     |    |          |
|----------|-------------|------|---------|-----|------------|-----|-----|----|----------|
|          | 17          | 4.00 | 0.00076 | 24  | 12         | 26  | 26  | 5- | -7       |
|          | 9, 10       | 5.00 | 0.00076 | 24  | 12         | 26  | 26  | 5- | -6       |
|          | 1, 14       |      | 0.00076 | 14  | 7          | 16  | 16  | 5- | -5       |
|          | 1, 12       |      | 0.00076 | 10  | 5          | 12  | 12  | 5- | -4       |
|          | NIL         |      | 0.00076 | --  | --         | 2   | 2   | 5- | -3       |
|          | 25          |      | 0.00076 | 48  | 24         | 50  | 50  | 5- | -2       |
|          | 25          |      | 0.0002  | 48  | 24         | 50  | 50  | 5- | -1       |
| OBSOLETE | 2, 19       |      | 0.00076 | 18  | 9          | 20  | 20  | 5- | -0       |
|          | NIL         |      | 0.0002  | --  | --         | 2   | 2   | 4- | -9       |
|          |             |      |         | 48  | 24         | 50  | 50  | 4- | -8       |
|          |             |      |         | 46  | 23         | 48  | 48  | 4- | -7       |
|          |             |      |         | 44  | 22         | 46  | 46  | 4- | -6       |
|          |             |      |         | 42  | 21         | 44  | 44  | 4- | -5       |
| OBSOLETE |             |      |         | 40  | 20         | 42  | 42  | 4- | -4       |
|          |             |      |         | 38  | 19         | 40  | 40  | 4- | -3       |
|          |             |      |         | 36  | 18         | 38  | 38  | 4- | -2       |
| OBSOLETE |             |      |         | 34  | 17         | 36  | 36  | 4- | -1       |
|          |             |      | 0.00076 | 32  | 16         | 34  | 34  | 4- | -0       |
| OBSOLETE |             |      |         | 48  | 24         | 50  | 50  | 3- | -9       |
|          |             |      |         | 46  | 23         | 48  | 48  | 3- | -8       |
|          |             |      |         | 44  | 22         | 46  | 46  | 3- | -7       |
| OBSOLETE |             |      |         | 42  | 21         | 44  | 44  | 3- | -6       |
|          |             |      |         | 40  | 20         | 42  | 42  | 3- | -5       |
| OBSOLETE |             |      |         | 38  | 19         | 40  | 40  | 3- | -4       |
|          |             |      |         | 36  | 18         | 38  | 38  | 3- | -3       |
|          |             |      |         | 34  | 17         | 36  | 36  | 3- | -2       |
| OBSOLETE |             |      | 0.0002  | 32  | 16         | 34  | 34  | 3- | -1       |
|          |             |      |         | 30  | 15         | 32  | 32  | 3- | -0       |
| OBSOLETE |             |      |         | 28  | 14         | 30  | 30  | 2- | -9       |
|          |             |      |         | 26  | 13         | 28  | 28  | 2- | -8       |
|          |             |      |         | 24  | 12         | 26  | 26  | 2- | -7       |
| OBSOLETE |             |      |         | 22  | 11         | 24  | 24  | 2- | -6       |
|          |             |      |         | 20  | 10         | 22  | 22  | 2- | -5       |
|          |             |      |         | 18  | 9          | 20  | 20  | 2- | -4       |
|          |             |      |         | 16  | 8          | 18  | 18  | 2- | -3       |
|          |             |      |         | 14  | 7          | 16  | 16  | 2- | -2       |
|          |             |      |         | 12  | 6          | 14  | 14  | 2- | -1       |
|          |             |      |         | 10  | 5          | 12  | 12  | 2- | -0       |
|          |             |      |         | 8   | 4          | 10  | 10  | 1- | -9       |
|          |             |      |         | 6   | 3          | 8   | 8   | 1- | -8       |
|          |             |      |         | 4   | 2          | 6   | 6   | 1- | -7       |
|          |             |      | 0.00076 | 2   | 1          | 4   | 4   | 1- | -6       |
|          |             |      |         | 30  | 15         | 32  | 32  | 1- | -5       |
|          |             |      |         | 28  | 14         | 30  | 30  | 1- | -4       |
| OBSOLETE |             |      |         | 26  | 13         | 28  | 28  | 1- | -3       |
|          |             |      |         | 24  | 12         | 26  | 26  | 1- | -2       |
|          |             |      |         | 22  | 11         | 24  | 24  | 1- | -1       |
|          |             |      |         | 20  | 10         | 22  | 22  | 1- | -0       |
|          |             |      |         | 18  | 9          | 20  | 20  |    | -9       |
|          |             |      |         | 16  | 8          | 18  | 18  |    | -8       |
|          |             |      |         | 14  | 7          | 16  | 16  |    | -7       |
|          |             |      |         | 12  | 6          | 14  | 14  |    | -6       |
|          |             |      |         | 10  | 5          | 12  | 12  |    | -5       |
|          |             |      |         | 8   | 4          | 10  | 10  |    | -4       |
|          |             |      |         | 6   | 3          | 8   | 8   |    | -3       |
|          |             |      |         | 4   | 2          | 6   | 6   |    | -2       |
|          | NIL         | 4.00 | 0.0002  | 2   | 1          | 4   | 4   |    | 176264-1 |
| STATUS   | PIN OMITTED | "E"  | "D"     | "C" | "B" SPACES | "A" | POS |    | P/N      |

© 1989 BY AMP MANUFACTURING (SINGAPORE) PTE. LTD.

**AMP** AMP MANUFACTURING (SINGAPORE) PTE. LTD.

|                      |     |     |         |                            |                            |  |
|----------------------|-----|-----|---------|----------------------------|----------------------------|--|
| REVISED FP00-0055-99 | LWY | LSC | 31MAY90 | WIRE RANGE                 | INSULATION DIA             | NAME   |
| REVISED FP00-0004-98 | LWY | CL  | 7JAN98  | mm <sup>2</sup> (AWG)      | mm                         | AMPMODU 2MM PITCH POST HDR, VERTICAL MOUNT TYPE. |
| REVISED FP00-0163-98 | LWY | TWN | 9JUL96  |                            |                            | GENERAL TOLERANCE                                |
| REVISED FP00-0215-95 | LWY | TAP | 2AUG95  |                            |                            | SIZE LOC NUMBER                                  |
| REVISED FP00-0191-95 | LWK | TAP | 11JUL95 |                            |                            | A2 DY 176264                                     |
| REVISED FP00-0045-95 | LWY | CWK | 27FEB95 | MATERIAL                   | FINISH                     | SCALE  |
| REVISED FP00-0006-95 | RT  | CWK | 4JAN95  | SEE NOTE                   | SEE NOTE                   | REV. SHEET                                       |
| REVISED FP00-0136-94 | LWY | CWK | 18JUL94 | DR. 8-JUL-89<br>I. ENOMOTO | DE. 6-JUL-88<br>I. ENOMOTO | 8-1 K 1 OF 1                                     |
| REVISION RECORD      | DR  | CHK | DATE    | CHK. 8-JUL-89<br>S. MANABE | APP. SF LEONG              |  |

CUSTOMER DRAWING