

MATERIAL AND FINISHES

BODY: STAINLESS STEEL  
PASSIVATED

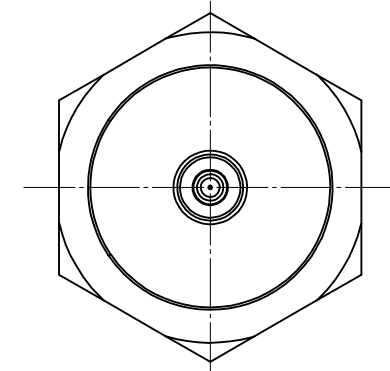
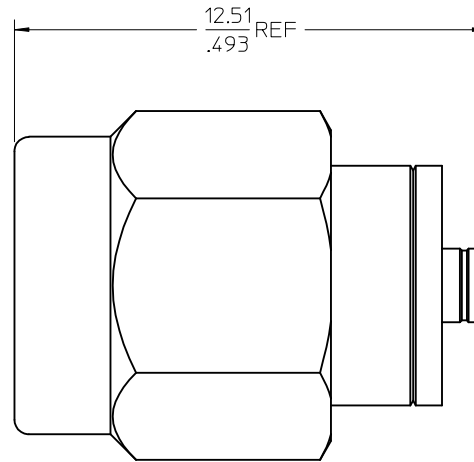
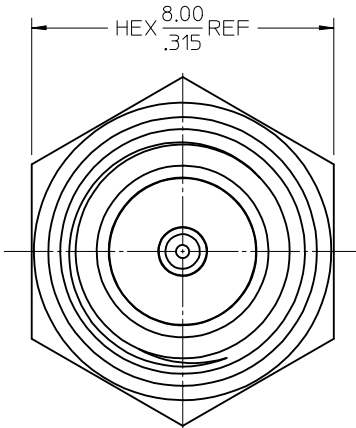
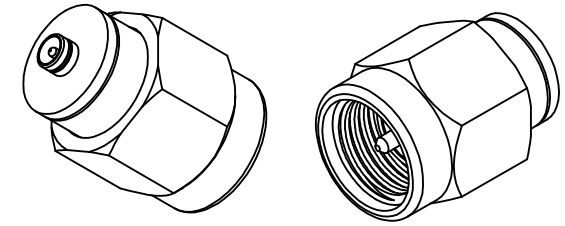
CONTACT: BRASS  
PLATED GOLD

INSULATOR: TEFLON

COUPLING NUT: BRASS  
PLATED NICKEL

SNAP RING: BERYLLIUM COPPER

GASKET: SILICONE RUBBER



|            |                              |
|------------|------------------------------|
| 73386-0851 | 73386-0850 ONE PIECE PER BAG |
| 73386-0850 | TRAY                         |
| PART NO.   | PACKAGING                    |

|   |                       |  |                  |   |              |                        |
|---|-----------------------|--|------------------|---|--------------|------------------------|
| CHG: UPDATED TITLE & PACKAGING PER RF15-E332<br>EC NO: URF2016-0227<br>DRWR:YEH 2015/09/21<br>CHKD:<br>APPR:YCHENG 2015/09/24 | QUALITY SYMBOLS       | GENERAL TOLERANCES (UNLESS SPECIFIED)                | DIMENSION STYLE  | SCALE   | DESIGN UNITS | THIRD ANGLE PROJECTION |
|   | ▽=0                   | mm INCH  | MM/IN            | 10:1  | METRIC       |                        |
|   | ▽=0                   | 4 PLACES ± --- ± ---                                 | DRAWN BY DATE    | TITLE   |              |                        |
|   | ▽=0                   | 3 PLACES ± --- ± ---                                 | CHECKED BY DATE  | BSA SMA PLUG TO MCRF PLUG 50 OHMS BSA-SMAP/MCRFP  |              |                        |
|   | 2 PLACES ± 0.10 ± --- | 1 PLACE ± 0.13 ± ---                                 | APPROVED BY DATE | molex   |              |                        |
|   | 0 PLACE ± ±           | ANGULAR ± 2 °  | MATERIAL NO.     | DOCUMENT NO.  | SHEET NO.    |                        |
|   |                       | DRAFT WHERE APPLICABLE MUST REMAIN WITHIN DIMENSIONS | SEE TABLE        | SD-73386-085  | 1 OF 1       |                        |
|   |                       |  | SIZE C           | THIS DRAWING CONTAINS INFORMATION THAT IS PROPRIETARY TO MOLEX INCORPORATED AND SHOULD NOT BE USED WITHOUT WRITTEN PERMISSION |              |                        |