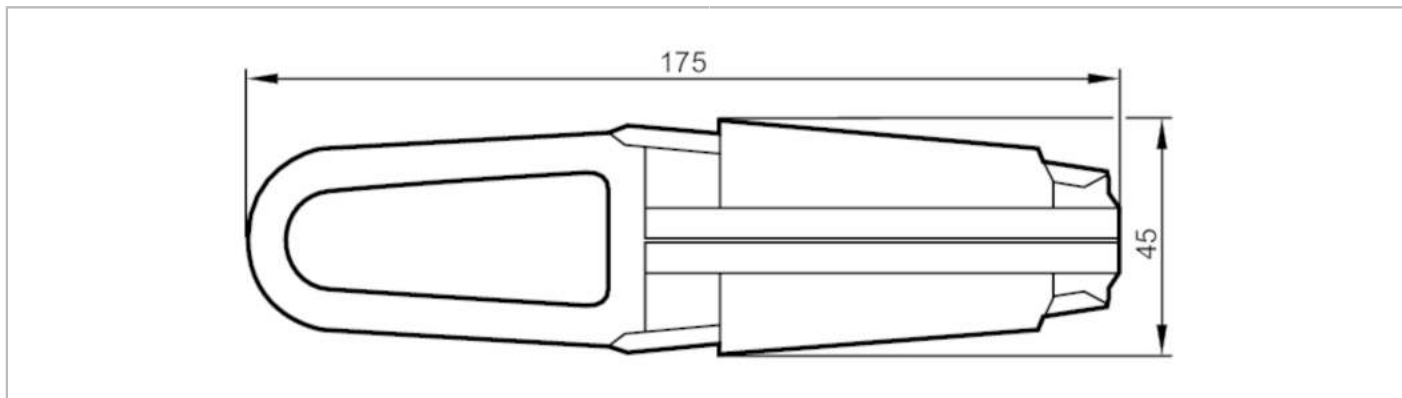


E30399



Cable clamp fastener

CABLE STRAINING CLAMP



Application	
Design	for submersible pressure transmitter PS3
Mechanical data	
Weight [g]	169.4
Materials	steel; plastics
Remarks	
Pack quantity	1 pcs.