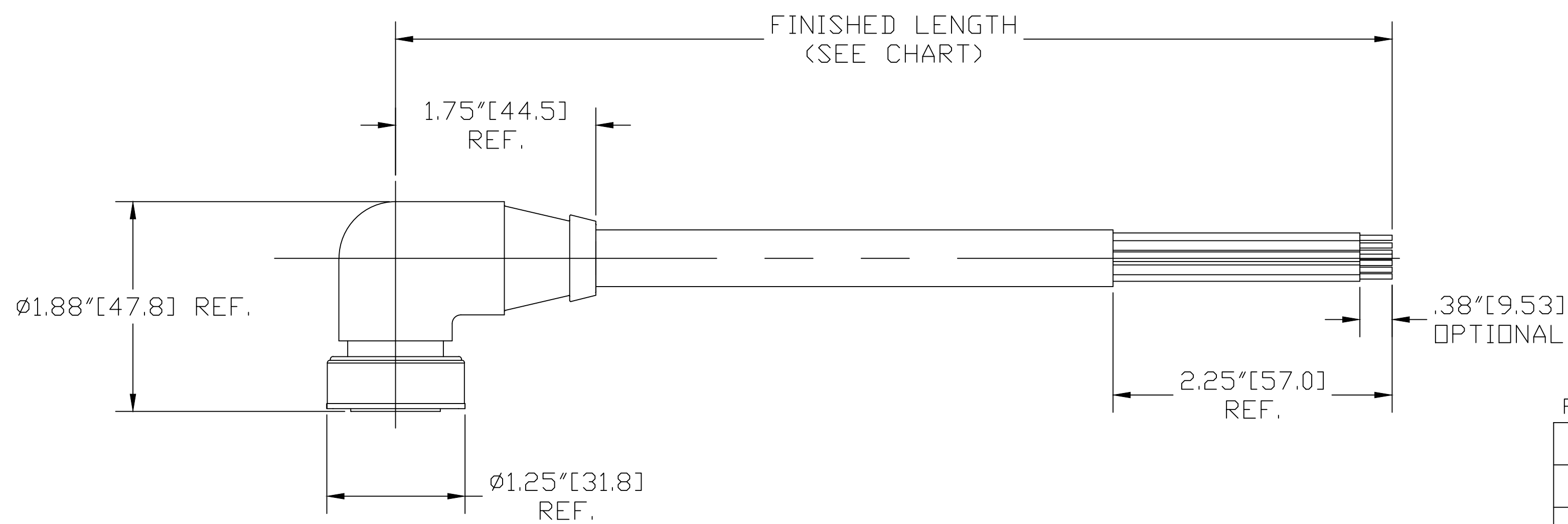


13	12	11	10	9	8	7	6	5	4	3	2	1
<b>MATERIAL NUMBER</b>		<b>OLD PART NUMBER</b>		<b>FINISHED LENGTH</b>								
130008-0476		302101P80M100		32.81' +12.50" -0 [10.0M +317.5mm -0]								



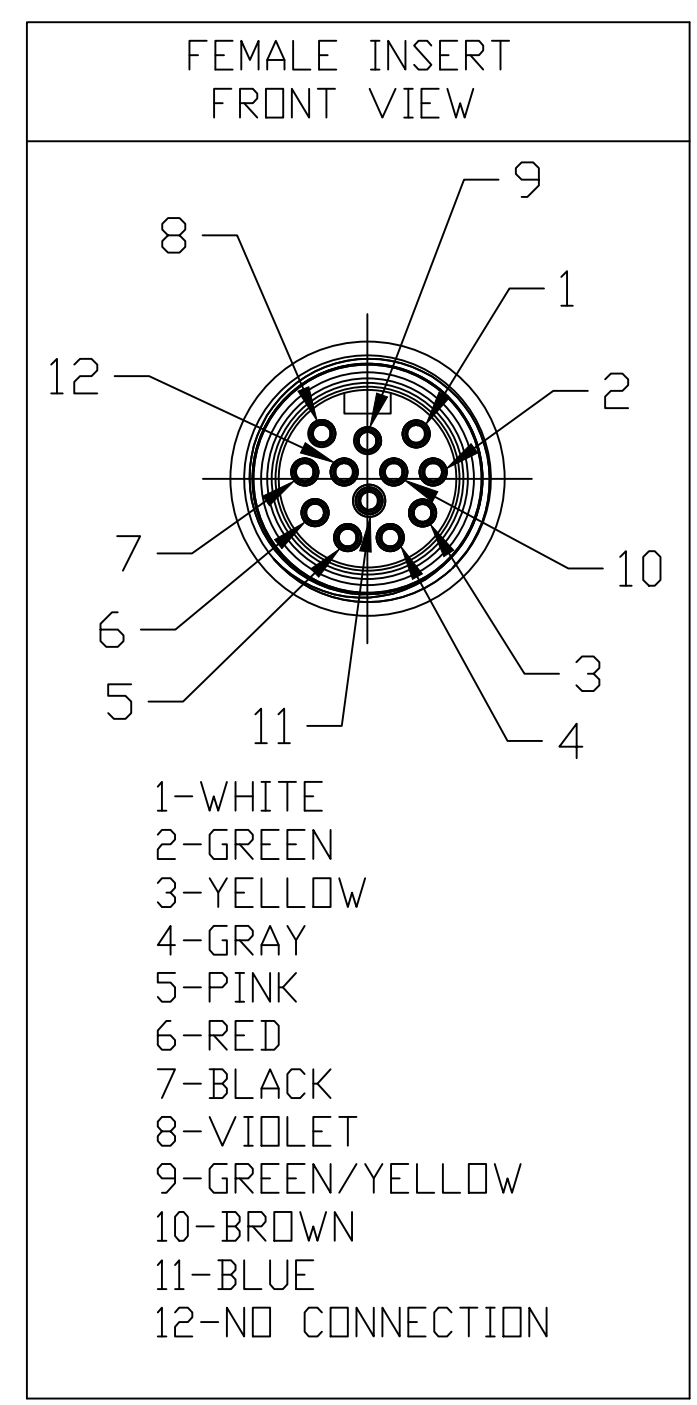
P1	
1	WHITE
2	GREEN
3	YELLOW
4	GRAY
5	PINK
6	RED
7	BLACK
8	VIOLET
9	GREEN/YELLOW
10	BROWN
11	BLUE
12	NO CONNECTION

### 302101P80M100

Wire type  
18/22 AWG  
Black PUR

cable length  
M020----2 Meter  
M100----10 Meter

CONTACT:	BRASS, GOLD PLATED
INSERT:	PVC, BLACK
COUPLING NUT:	ZINC DIE CAST, BLACK E-COATED
MOLDED BODY:	PVC, YELLOW
VOLTAGE RATING:	300 VAC/VDC
AMPERAGE RATING:	2 AMPS
PROTECTION:	IP67
OPERATING TEMPERATURE:	-20°C TO 105°C



WIRING DIAGRAM

INITIAL RELEASE EC NO.: IPG2013-1910 DRWN: EBRACKEN 2013/06/18 CHKD: RSTONE APPR: BWOODMAN2013/08/14	QUALITY SYMBOL	GENERAL TOLERANCES (UNLESS SPECIFIED)		DIMENSION STYLE IN/MM		SCALE ---	DESIGN UNITS INCH	THIRD ANGLE PROJECTION	
	▽=0	mm	INCH	DRAWN BY EBRACKEN	DATE 2013/06/18	TITLE			
	∇=0	4 PLACES ±---	±---	CHECKED BY RSTONE	DATE ---	MINI-CHANGE ASSEMBLY 12 POLE/11W, FEMALE 90D #18/#22 PUR, DC COLOR			
		3 PLACES ±---	±.005	APPROVED BY BWOODMAN	DATE 2013/08/14	MOLEX INCORPORATED			
	2 PLACES ±0.13	±.010	MATERIAL NO. SEE CHART		DOCUMENT NO. SD-130008-022		SHEET NO. 1 OF 1		
	1 PLACE ±0.25	±.020	DRAFT WHERE APPLICABLE MUST REMAIN WITHIN DIMENSIONS		THIS DRAWING CONTAINS INFORMATION THAT IS PROPRIETARY TO MOLEX INCORPORATED AND SHOULD NOT BE USED WITHOUT WRITTEN PERMISSION				
		ANGULAR ±.5°							