



ELECTRONICS, INC.  
 44 FARRAND STREET  
 BLOOMFIELD, NJ 07003  
 (973) 748-5089  
<http://www.nteinc.com>

## NTE303 Silicone Thermal Compound 1 Gram/Tube

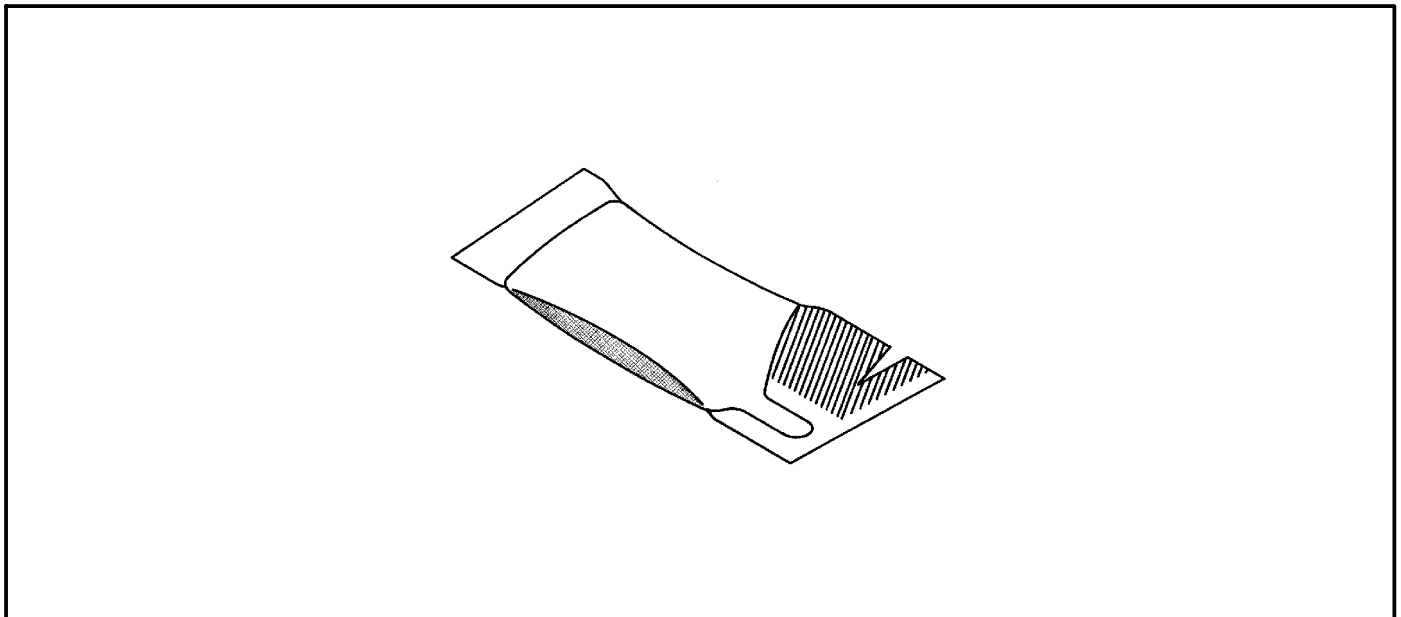
**Technical Specifications:** (Typical)

**Material Description**

|   |                       |
|---|-----------------------|
| Base .....  | Silicon Oil           |
| Filler .....  | Zinc Oxide and Silica |
| Color .....   | White                 |
| Serviceable Range .....                                   | -40° to +400°F        |
| Specific Gravity .....                                    | 2.3 minimum           |
| Thermal Conductivity, (K factor, cal/cm2/°C/sec/cm) ..... | 0.001                 |

**Physical Properties**

|  |                    |
|--|--------------------|
| Consistency  |                    |
| Worked Penetration (60 strokes) @ +77°F .....                    | 250-330            |
| Brookfield Viscosity (spindle #7; 1 rpm; 4th rev. @ +77°F) ..... | 1.1 - 1.6 mil cps. |
| Bleed; % max. after 24 hrs, @ +200°C .....                       | 1.0                |
| Evaporation; % max., after 24 hrs @ +200°C .....                 | 1.0                |



## **Material Safety Data Sheet:**

### **Section I**

Distributor: Century Lubricants Co.  
Address: 2140 S. 88<sup>th</sup> Street  
Kansas City, KS 66111-8701

Telephone: 913-791-3645  
Chem Trec: 800-424-9300

Revision Date: 1-18-96 HPC11 DOC 498 188002-AA

Prepared By: M. D. Hart

### **Section II (Chemical and Physical Properties)**

|                               |                     |                          |        |
|-------------------------------|---------------------|--------------------------|--------|
| Solubility in Water (@ 20°C): | NIL                 | Vapor Density (Air = 1): | > 1    |
| Specific Gravity (Water = 1): | > 1.0               | Strong Acid:             | NO     |
| Vapor Pressure (mmHg @ 20°C): | NIL                 | Strong Base:             | NO     |
| Evaporation Rate (Ether = 1): | < 0.001             | Boiling Point (°F):      | +600°F |
| Percent Volatile (By Weight): | ZERO                | Melting Point (°F):      | N/A    |
| Appearance and Odor:          | White Gel, Odorless |                          |        |

### **Section III (Reactivity Data)**

Stability: Stable  
Incompatibility: Keep Away From Strong Oxidizers  
Note: Hazardous Polymerization Will Not Occur

### **Section IV (Fire and Explosion Data)**

Flash Point (Method): 600°F Min Flammable Limits – LEL: UNK UEL: UNK  
Extinguishing Agents: Dry Chemical (X) CO<sub>2</sub> (X) Water Spray (X) Foam (X)  
Special Fire Fighting Procedures: Avoid breathing vapors. Use breathing apparatus in confined areas. Cool exposed containers with water spray.  
Hazardous Thermal Decomposition Product: Silicon dioxide, carbon oxides, formaldehyde, unidentified organic compounds

### **Section V (Precautions for Safe Handling and Use)**

Steps to Take in Case of Spill: Add absorbent to spill area. Keep silicone products out of sewers and waterways. Advise authorities if they do enter.  
Waste Disposal Method: Dispose of at appropriate waste facility in accordance with regulations.  
Precautions in Storage: Keep containers closed when not in use. Do not handle near heat, flames, sparks. Do not weld or heat empty containers.

### **Section VI (Health Hazard Data)**

Permissible Concentrations (Air): None Established

| <b>Route</b> | <b>Effect of Overexposure</b>                           | <b>Emergency First Aid Procedure</b>   |
|--------------|---|--|
| Eyes         | None Expected   | Flush with water. See physician.   |
| Skin         | Prolonged or repeated contact may cause mild irritation | Wash with soap and water. If high pressure, get immediate medical attention. |
| Inhalation   | None Expected   | Remove from contaminated area.   |
| Ingestion    | None Expected   |  |
| Chronic      | None Expected   |  |

## **Material Safety Data Sheet (Cont'd):**

### **Section VI (Health Hazard Data)**

|                       |                        |                 |
|-----------------------|------------------------|-----------------|
| Hazardous Ingredients | TLV, TWA, PEL          | IARC, NTP, OSHA |
| Silica Thickner       | PEL 20 MPPCF (As Dust) | Not Listed      |
| Zinc Compound * < 80% | TWA 5 MG/M3 (As Dust)  | Not Listed      |

### **Section VII (Control Measures)**

|                            |  |
|----------------------------|--|
| Respiration Protection:    | None Normally Needed   |
| Ventilation Type:          | General adequate. Use local mechanical to insure TLV's not surpassed where applicable. |
| Skin Protection:           | Chemically Resistance Desirable  |
| Eye Protection:            | Goggles or Faceshield Desirable  |
| Other Protective Measures: | None normally needed.  |

### **Section VIII (Miscellaneous)**

UNK means Unknown

EST means Estimated

N/A means Not Applicable

\* This component is regulated under Section 313 of SARA

**The information contained herein is based on data considered accurate. However, no warranty, expressed or implied, is given regarding the accuracy of this data or the result to be obtained from the use thereof.**