

NOTES:

1) MATERIALS:

HOUSING: GLASS FILLED LCP (LIQUID CRYSTAL POLYMER),  
UL 94V-0, COLOR: BLACK.  
TAIL ALIGNER: GLASS FILLED, LCP (LIQUID CRYSTAL POLYMER)  
UL 94V-0, COLOR: BLACK.  
MOLDED STICK: GLASS FILLED LCP (LIQUID CRYSTAL POLYMER)  
UL 94V-0, COLOR: BLACK.  
MALE CONTACT: PHOS. BRONZE .012±.0005 THICK.  
OUTER SHELL: LOW CARBON STEEL.  
THREADED INSERT: BRASS.

2) PLATING :

TERMINAL: .000030/(0.00076) MINIMUM GOLD IN SELECTIVE AREA;  
.000100/(0.00254) TIN IN SELECTIVE AREA;  
OVER NICKEL UNDERPLATE OVERALL.

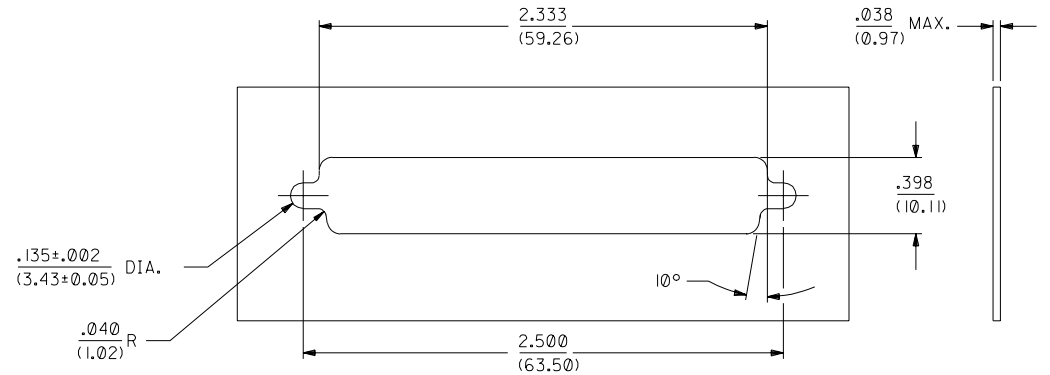
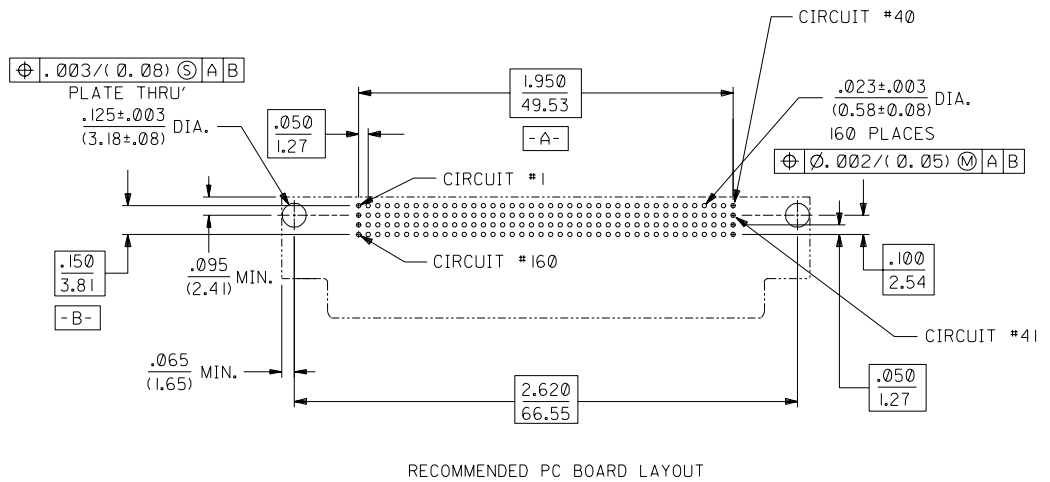
OUTER SHELL: .000150/(0.00381) MINIMUM TIN OVER  
.000050/(0.00127) MINIMUM NICKEL OVER  
COPPER FLASH (OPTIONAL).

3) THIS PART CONFORMS TO MOLEX PRODUCT SPECIFICATION PS-71626.

4) PACKAGING SPECIFICATION PK-70873-0224 APPLIES.

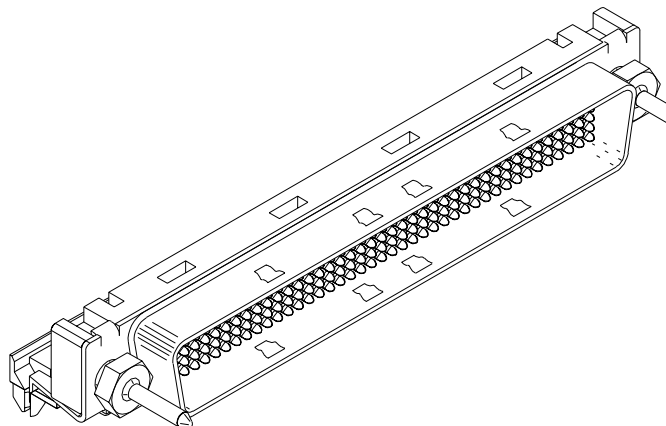
NOTE FOR LEAD FREE CONVERSION:

THE PRIMARY SHIPPING CARTON WILL BE  
LABELED "COMPLIANT TO ROHS DIRECTIVE  
2002/95/EC AND ELV ANNEX II OF  
DIRECTIVE 2000/53/EC". CARTONS  
WITHOUT THIS LABEL MAY CONTAIN  
PRODUCT WITH LEAD.



PANEL CUT-OUT DIMENSIONS  
ALL TOLERANCES ±.003/(0.08)  
UNLESS OTHERWISE STATED.

FOR OPTIONAL HARDWARE DETAILS  
SEE SDA-71628-\*\*\*\*



LT.	REVISIONS	LT.	REVISIONS

DIMENSIONS SHOWN (METRIC) INCH	
UNLESS OTHERWISE SPECIFIED TOLERANCES: ANGULAR ± 1/2°	
INCH	METRIC
3 PLACE ± .010	---
2 PLACE ± ---	± ---
1 PLACE ---	± ---

▽ = 0	▼ = 0	REVISE ONLY ON CAD SYSTEM
TITLE 050" Pitch LFH 160 Ckt. Right Angle I/O Male Sales Assembly		
MOLEX INCORPORATED LITSE,ILL. 60532 U.S.A.	SHEET NO. 2	DATE 9/12/91
PART NO. SEE SHEET 1	DRWG. NO. SDA-71624-200*	
DRWG. BY CAB	CHK'D. BY BIXLER	SCALE 2: 1
APP'D. BY CAB	FILE NAME 57162422	THIS DRAWING CONTAINS INFORMATION THAT IS PROPRIETARY TO MOLEX INC. AND SHOULD NOT BE USED WITHOUT WRITTEN PERMISSION.

71624

MFG. SH. REV.

CD