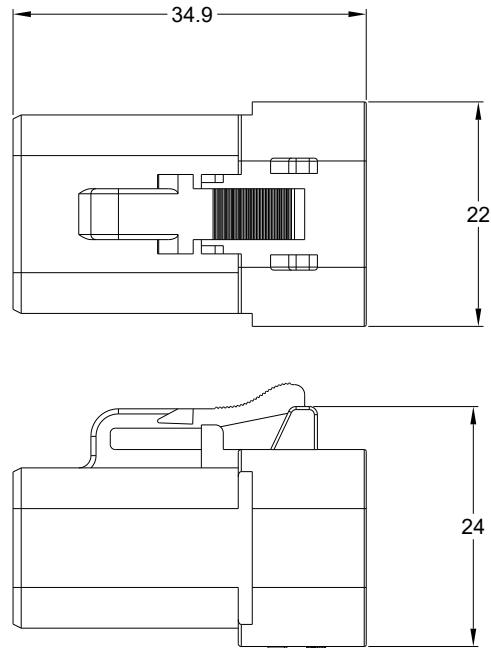
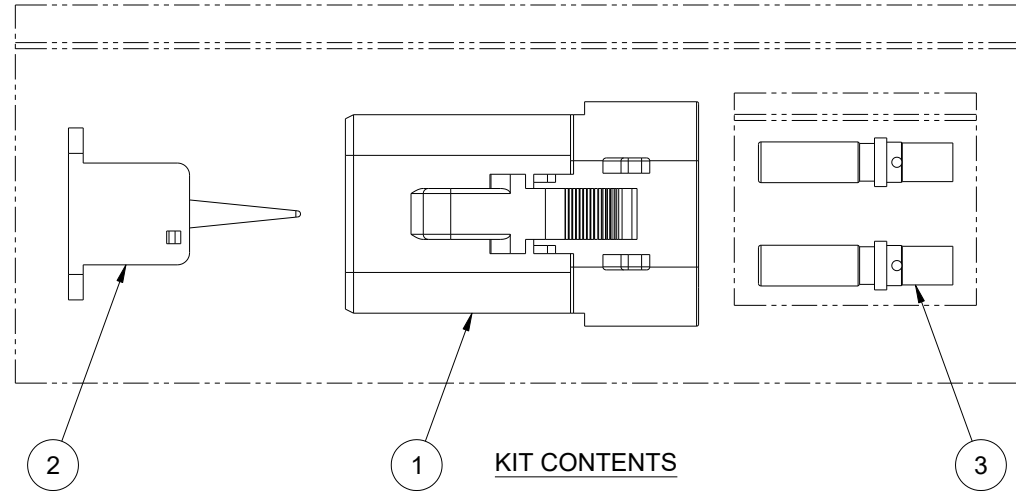
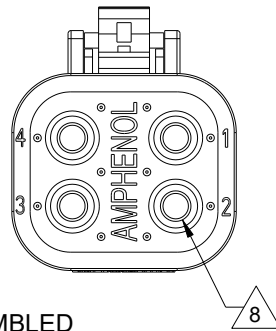


REVISIONS					
REV	ECO	DESCRIPTION	DATE	BY	APPR
A	-	RELEASE	10/SEP/13	DRP	
B	-	UPDATE SHAPE OF LATCH	07/OCT/20	SULLEN	TOMMY



REFERENCE DIMENSIONS - ASSEMBLED



KIT CONTENTS

NOTES: UNLESS OTHERWISE SPECIFIED

1. MATERIAL:

HOUSING: THERMOPLASTIC; COLOR: GREY
 WEDGELOCK: THERMOPLASTIC; COLOR: ORANGE
 SEALS: SILICONE RUBBER
 CONTACTS: COPPER ALLOY; NICKEL PLATED

2. SPECIFICATIONS:

- 2.1 CURRENT RATING: 25 AMPS
- 2.2 VOLTAGE RATING: 500 V AC/DC (UL1977)
- 2.3 OPERATING TEMPERATURE: -55°C TO +125°C
- 2.4 DIELECTRIC WITHSTANDING VOLTAGE: LESS THAN 2 MILLIAMPS CURRENT LEAKAGE @ 2500 VOLTS AC.
- 2.5 INSULATION RESISTANCE: 1000 MEGOHMS MIN @ 25°C.
- 2.6 CONTACT MILLIVOLT DROP: 60 MILLIVOLT DROP @ 25 AMP TEST CURRENT.
- 2.7 MOISTURE RESISTANCE:
 IP68(1M OF WATER FOR A PERIOD OF 24 HOURS, MATED CONDITION)
 IP69K(MATED CONDITION)
- 2.8 CONNECTOR MATING CYCLE DURABILITY: 100 CYCLES

3. MATING PART: ATP04-4P* RECEPTACLE
 (* = MODIFICATIONS AND COLORS)

4. AVAILABLE HAND CRIMPER: CA-5D12

5. ALL COMPONENTS ARE RoHS COMPLIANT.

6. ALL DIMENSIONS ARE FOR REFERENCE USE ONLY.

7. WIRE RANGE OF CONTACTS INCLUDED IN KIT: 12 - 14 AWG

8. CONTACT SIZE AND REAR SEAL WIRE RANGE:

CONTACT SIZE	MIN. INSUL. O.D.	MAX. INSUL. O.D.	TYPICAL WIRE RANGE
12	3.40 mm (.134 in)	4.95 mm (.195 in)	10 - 14 AWG (5.0-2.0mm ²)

QUANTITY	PART NUMBER	DESCRIPTION	ITEM
4	AT62-203-12141	CONTACT, SOCKET, SOLID, SIZE 12, 12-14 AWG	3
1	AWP-4S	S-WEDGELOCK, 4 POSITION, ATP SERIES	2
1	ATP06-4S	PLUG, 4 POSITION, ATP SERIES	1

MATERIALS LIST

UNLESS OTHERWISE SPECIFIED

- 1) All dimensions are in metric(mm).
- 2) Tolerances are as follows:
 1 PL DEC ±0.30 Fractions ±1/64
 2 PL DEC ±0.15 Angles ±1°
 3 PL DEC ±0.08
- 3) Note reference =

MATERIAL SPECIFICATIONS:

PROCESS SPECIFICATIONS:

NEXT ASSY:

SIGNATURES	DATE
DRAWN: SULLENZHANG	07/OCT/20
CHECKED: ORIONLI	08/OCT/20
ENGINEER:	
APPROVAL: TOMMYXIE	08/OCT/20
CUSTOMER:	

THIS DRAWING IS SUPPLIED FOR INFORMATION ONLY. DESIGN FEATURES, SPECIFICATIONS AND PERFORMANCE DATA SHOWN HEREON ARE THE PROPERTY OF THE AMPHENOL CORPORATION. NO RIGHTS OF REPRODUCTION ARE IMPLIED. ALL DIMENSIONS ARE SUBJECT TO NORMAL MANUFACTURING VARIATIONS.

Amphenol

Sine Systems - www.amphenol-sine.com
 44724 Morley Drive
 Clinton Township, MI 48036

KIT, ATP SERIES, 4 POSITION PLUG, CONTACTS, AND WEDGELOCK

SIZE	TYPE	DWG NO.	REVISION
B	C-	ATP06-4S-KIT01	B

SCALE: NONE SHEET 1 OF 1