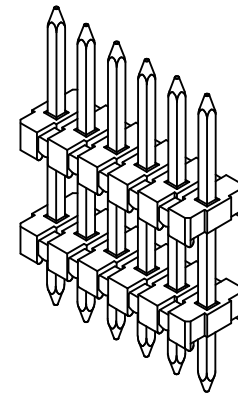
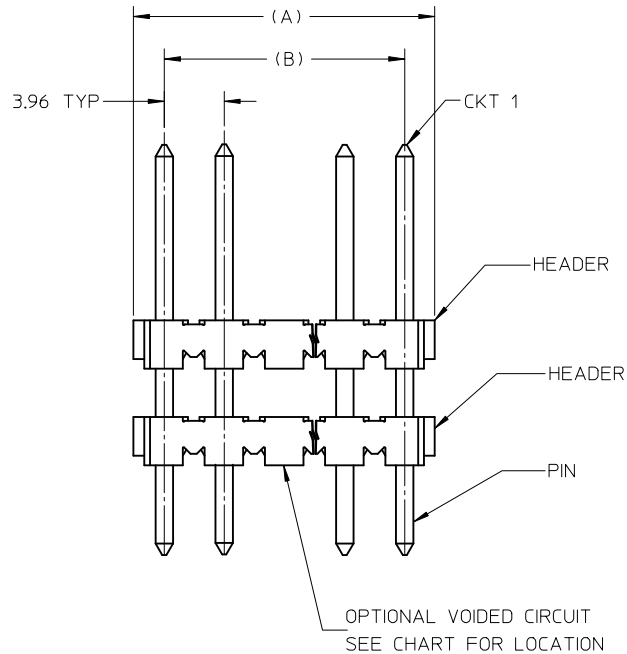
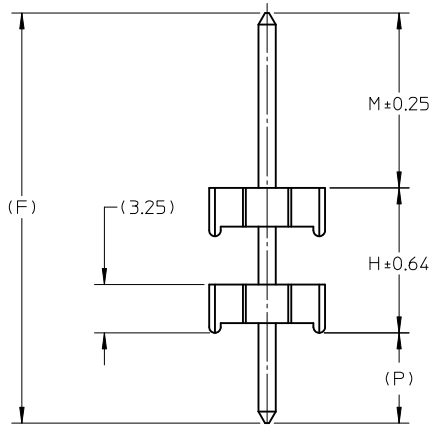


PCB LAYOUT : COMPONENT SIDE  
RECOMMENDED PCB THICKNESS : 1.57



6 CKT ISO SHOWN  
FOR REF. ONLY

CKT SIZE	A	B
4	15.26	11.89
5	19.22	15.85
6	23.18	19.81
7	27.14	23.77
8	31.11	27.74
9	35.07	31.70
10	39.03	35.66
11	42.99	39.62
12	46.96	43.59
13	50.92	47.55
14	54.88	51.51
15	58.84	55.47
16	62.81	59.44
17	66.77	63.40
18	70.73	67.36
19	74.69	71.32
20	78.66	75.29
21	82.62	79.25
22	86.58	83.21
23	90.54	87.17
24	94.49	91.14

NOTES :

- MATERIAL :  
HOUSING : POLYESTER, UL94V-0, COLOR : BLACK  
PIN : 1.14MM SQ PIN BRASS.
- FINISH :  
(1) : 5.08µm MIN TIN OVER 2.54µm MIN COPPER OVERALL.  
(2) : 0.38µm MIN GOLD OVER 1.25µm MIN NICKEL OVERALL.  
(3) : 2.50µm MIN TIN OVER 1.25µm MIN NICKEL OVERALL.  
(4) : 0.38µm MIN GOLD OVER 2.50µm MIN TIN OVER 1.25µm MIN NICKEL OVERALL.
- PRODUCT SPECIFICATION : PS-68340-014.
- PARTS ARE NOT STACKABLE ON 3.96MM CENTERS.

<b>REVISED</b> EC NO: S2010-0518 DRWN:SKANG 2009/12/21 CHKD:ATSEE 2010/01/08 APPR:MLONG 2010/01/09	QUALITY SYMBOLS	GENERAL TOLERANCES (UNLESS SPECIFIED)	DIMENSION STYLE	SCALE	DESIGN UNITS	THIRD ANGLE PROJECTION															
	= 0 = 0	<table border="1"> <thead> <tr> <th></th> <th>mm</th> <th>INCH</th> </tr> </thead> <tbody> <tr><td>4 PLACES</td><td>± ---</td><td>± ---</td></tr> <tr><td>3 PLACES</td><td>± ---</td><td>± ---</td></tr> <tr><td>2 PLACES</td><td>± 0.25</td><td>± ---</td></tr> <tr><td>1 PLACE</td><td>± ---</td><td>± ---</td></tr> </tbody> </table>		mm	INCH	4 PLACES	± ---	± ---	3 PLACES	± ---	± ---	2 PLACES	± 0.25	± ---	1 PLACE	± ---	± ---	MM ONLY	NTS	METRIC	
		mm	INCH																		
	4 PLACES	± ---	± ---																		
3 PLACES	± ---	± ---																			
2 PLACES	± 0.25	± ---																			
1 PLACE	± ---	± ---																			
DESCRIPTION	ANGULAR ± 1/2°	DRAWN BY SKANG DATE 2009/06/15	TITLE																		
REV	DRAFT WHERE APPLICABLE MUST REMAIN WITHIN DIMENSIONS	CHECKED BY ATSEE DATE 2009/06/26	CUSTOM HEADER 3.96MM BREAKAWAY SINGLE ROW / DUAL BODY																		
A1		APPROVED BY MLONG DATE 2010/01/08	MOLEX INCORPORATED																		
		MATERIAL NO.	SEE TABLE	DOCUMENT NO.		SHEET NO.															
		SIZE A3	THIS DRAWING CONTAINS INFORMATION THAT IS PROPRIETARY TO MOLEX INCORPORATED AND SHOULD NOT BE USED WITHOUT WRITTEN PERMISSION																		

10 | 9 | 8 | 7 | 6 | 5 | 4 | 3 | 2 | 1

MATERIAL NUMBER	PLATING REFERENCE	DIM F PIN LENGTH	DIM M LENGTH	DIM H HEADER SPACING	DIM P P.C. LENGTH	CKT SIZE	VOIDED CKT NO.	PACK PER
87447-0001	4	43.18	22.23	15.87	5.08	4	3	ES-41679-A1

<b>REVISED</b> EC NO: S2010-0518 DRWN:SKANG 2009/12/21 CHKD:ATSEE 2010/01/08 APPR:MLONG 2010/01/09	QUALITY SYMBOLS	GENERAL TOLERANCES (UNLESS SPECIFIED)	DIMENSION STYLE	SCALE	DESIGN UNITS	THIRD ANGLE PROJECTION	
	= 0 = 0	mm	INCH	MM ONLY	NTS	METRIC	
		4 PLACES	± ---	± ---	DRAWN BY	DATE	TITLE
	DESCRIPTION REV	3 PLACES	± ---	± ---	SKANG	2009/06/15	CUSTOM HEADER 3.96MM BREAKAWAY SINGLE ROW / DUAL BODY
2 PLACES		± 0.25	± ---	CHECKED BY	DATE	MOLEX INCORPORATED	
1 PLACE		± ---	± ---	ATSEE	2009/06/26		MATERIAL NO. SD-87447-001 SHEET NO. 2 OF 2
A1		ANGULAR ± 1/2°		APPROVED BY	DATE		
				MLONG	2010/01/08		
		DRAFT WHERE APPLICABLE MUST REMAIN WITHIN DIMENSIONS		SEE TABLE			
				SIZE	THIS DRAWING CONTAINS INFORMATION THAT IS PROPRIETARY TO MOLEX INCORPORATED AND SHOULD NOT BE USED WITHOUT WRITTEN PERMISSION		
				A3			

9 | 8 | 7 | 6 | 5 | 4 | 3 | 2 | 1