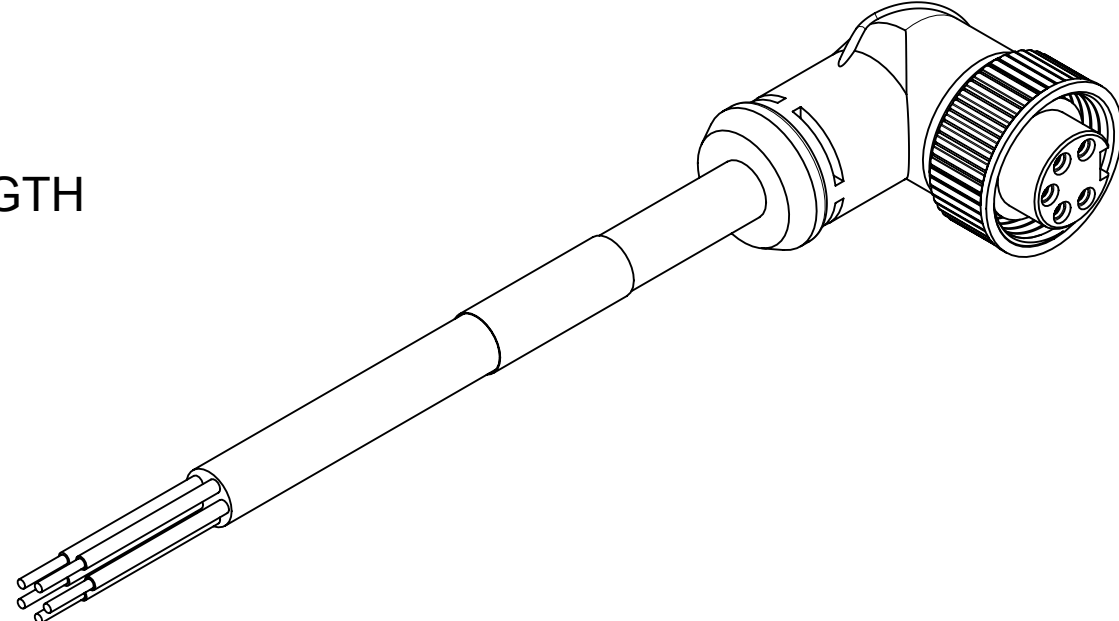


MATERIAL NO.	ENGINEERING NO.	FINISHED LENGTH
1300240132	DN90A-M005	0.5M (1 FT 7.70 IN)
1300240139	DN90A-M100	10M (32 FT 9.70 IN)
1300240140	DN90A-M200	20M (65 FT 7.40 IN)

PART NUMBER LEGEND

DN90A-M010

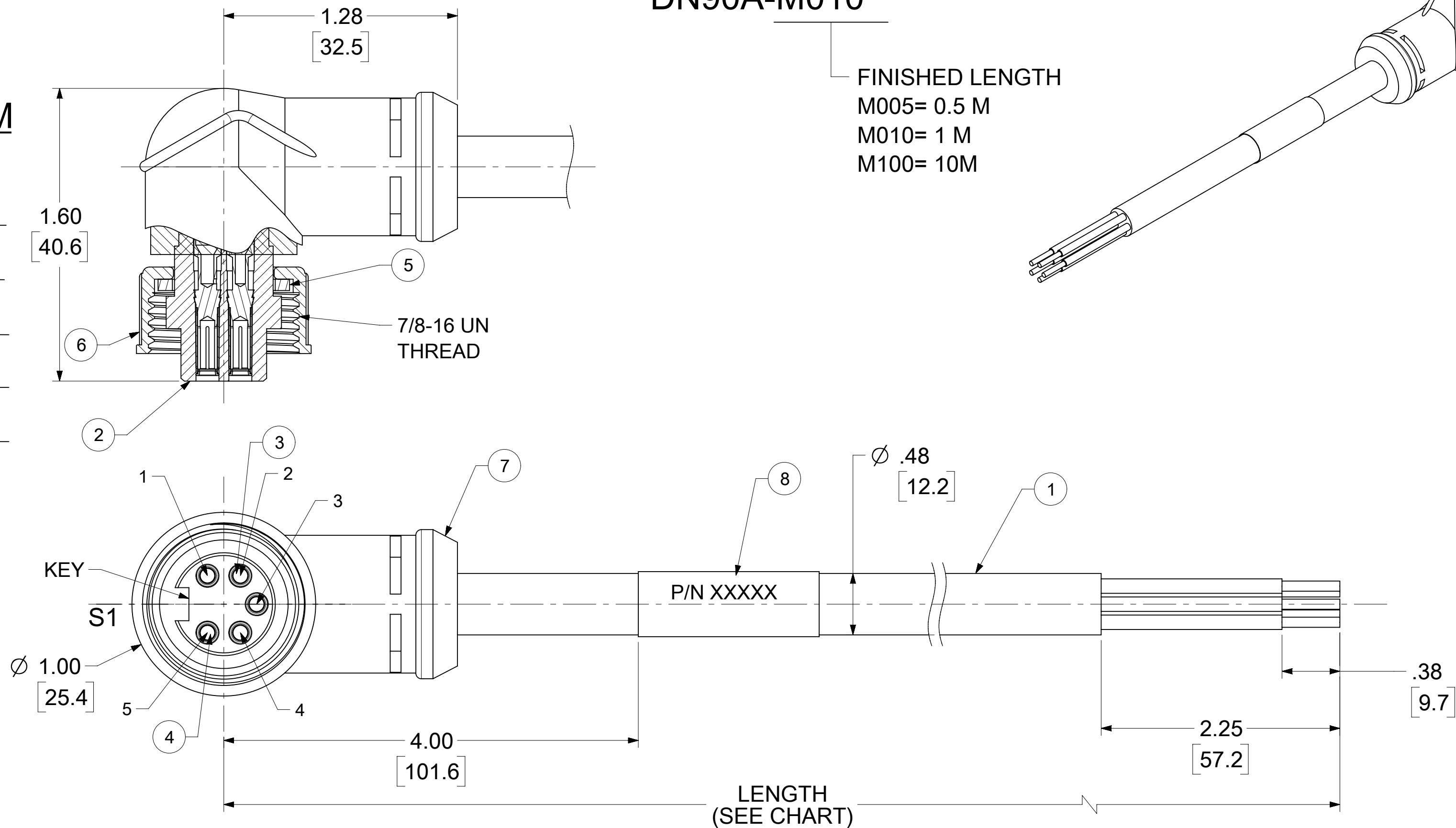
FINISHED LENGTH
M005= 0.5 M
M010= 1 M
M100= 10M



WIRING DIAGRAM

S1

1	DRAIN
2	RED
3	BLACK
4	WHITE
5	BLUE



- NOTES:
1. MATERIAL: AS NOTED
 2. FINISH: AS NOTED
 3. ELECTRICAL:
VOLTAGE: 300V PER IEC60664
300V PER UL2238
CURRENT: 4A
 4. TEMP RATING: -20°C TO +80°C
 5. PROTECTION: IP67 (WHEN MATED)
 6. UL RECOGNIZED FILE: E152210
CSA CERTIFIED FILE: LR6837
 7. ALL DIMS ARE FOR REFERENCE UNLESS TOLERANCED OR NOTED OTHERWISE

CABLE LENGTH TOLERANCES

<.3M [1FT]:	+19mm-0 [+.75in-0]
.3 - .9M [1 - 3FT]:	+44.5mm-0 [+1.75in-0]
.9 - 1.8M [3 - 6FT]:	+55.6mm-0 [+2.19in-0]
1.8 - 3.7M [6 - 12FT]:	+88.9mm-0 [+3.50in-0]
3.7 - 7.3M [12 - 24FT]:	+165.1mm-0 [+6.50in-0]
7.3-14.6M [24 - 48FT]:	+317.5mm-0 [+12.50in-0]
14.6 - 30.5M [48-100FT]:	+622.3mm-0 [+24.50in-0]
OVER 30M [100FT]:	+2% OF FINISHED LENGTH

ITEM	DESCRIPTION	MATERIAL	FINISH
8	WRAP LABEL	VINYL	BLACK/YELLOW
7	OVERMOLD	TPE	GRAY
6	COUPLING NUT	ZINC DIE CAST	BLACK E-COAT
5	FRICTION RING	NYLON	WHITE
4	CONTACT SOCKET, 18 AWG	BRASS	GOLD OVER NICKEL
3	CONTACT SOCKET, 16 AWG	BRASS	GOLD OVER NICKEL
2	FEMALE INSERT	TPE	BLACK
1	CABLE, DEV-NET, TRUNK, 18/2, 15/2	PVC JACKET	GRAY

FUNCTIONAL SYMBOLS	THIS DRAWING CONTAINS INFORMATION THAT IS PROPRIETARY TO MOLEX ELECTRONIC TECHNOLOGIES, LLC AND SHOULD NOT BE USED WITHOUT WRITTEN PERMISSION		
	DIMENSION UNITS	SCALE	CURRENT REV DESC: 2 & 7 WERE PVC
$\frac{F}{A} = 0$	INCH/MM	NTS	EC NO: 720800 DRWN: VASUTHKARP 2022/07/12 CHK'D: RSTONE 2022/09/09 APPR: BWOODMAN 2022/09/09
$\frac{F}{C} = 0$	GENERAL TOLERANCES (UNLESS SPECIFIED)		
DIVISIONAL SYMBOLS	4 PLACES	±	INITIAL REVISION: DRWN: RSTONE 2009/05/06 APPR: JFMURPHY 2009/05/14
	3 PLACES	±	
	2 PLACES	±	
	1 PLACE	±	
	0 PLACES	±	
	ANGULAR TOL	± °	THIRD ANGLE PROJECTION
	DRAFT WHERE APPLICABLE MUST REMAIN WITHIN DIMENSIONS		DRAWING SERIES: C-SIZE 130024

molex

MINI-CHANGE DEVICENET, A-SIZE
5 POLE, FEMALE, 90 DEG, SINGLE KEY, 15/18 AWG

PRODUCT CUSTOMER DRAWING

DOCUMENT NUMBER: SD-130024-004
DOC TYPE: PSD
DOC PART: 001
REVISION: B

MATERIAL NUMBER: SEE TABLE
CUSTOMER: GENERAL MARKET
SHEET NUMBER: 1 OF 1