



Mallory Sonalert Products, Inc.

Part #: **MSS5M0**

Sales Outline Drawing

Revision: **L**

Specifications:

cUL Recognized as capable of meeting Medical Spec IEC60601-1-8 AMD2:2020

Sound Level Category:	Loud
Mode of Operation:	IEC60601-1-8 Continuous
Voltage Rating:	5 ± 0.5 VDC
Loudness @ 10cm:	85 to 95 dB(A) Typ.
Frequency:	325 Hz
Average Current Draw:	<200mA Typ.
Ipk Current*:	250mA MAX
Housing Material:	Valox (UL94V-0), Color: Black
Storage Temperature:	-30° to +60° C
Operating Temperature:	-30° to +55° C
Weight Typical:	6.0g
Options:	Please contact factory.

Dimensions: Inches (mm) **cUL Recognized** **ROHS Compliant**

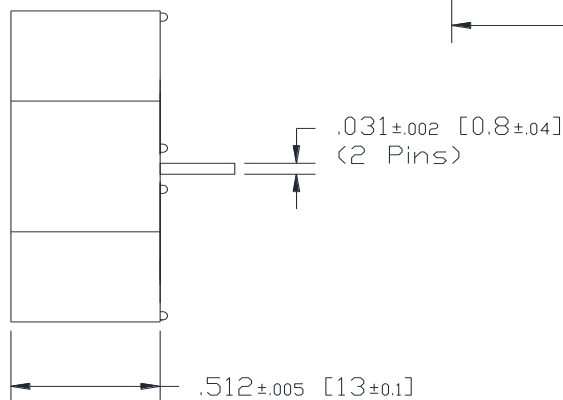
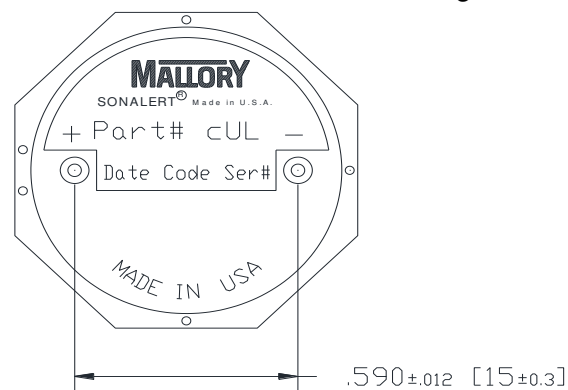
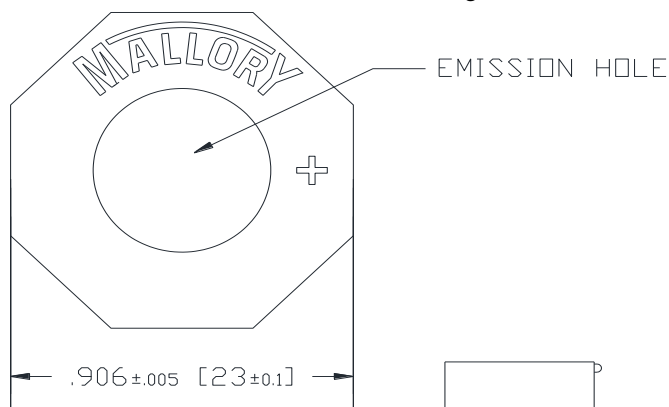
PATENT NUMBER: 7880593

Before Code Date: 1546

Not cUL Recognized

After Code Date: 1547

cUL Recognized



NOTE A:
TERMINALS - .031" DIA. NICKEL/TIN COATED BRASS.

NOTE B:
MOUNTING- INSERT INTO PRINTED CIRCUIT BOARD AND HAND OR MACHINE SOLDER.
UNITS ARE SUITABLE FOR WAVE SOLDERING. BOARDS ARE NOT SUITABLE FOR WASH.
RECOMMENDED MAXIMUM TEMPERATURE AND TIME DURATION FOR WAVE SOLDERING IS
+270°C AND 3 SECONDS RESPECTIVELY.

*Ipk = Instantaneous Peak