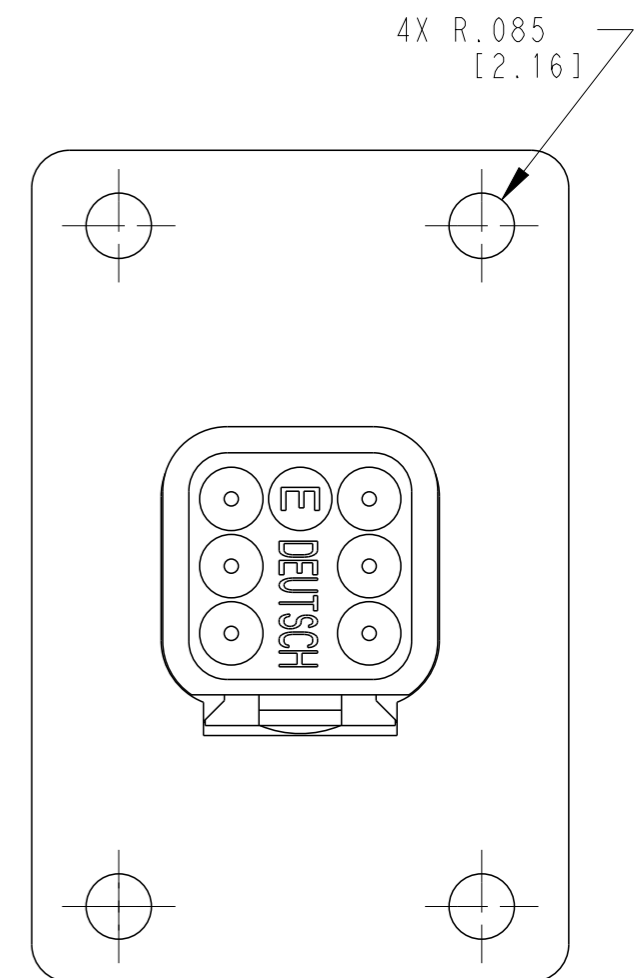
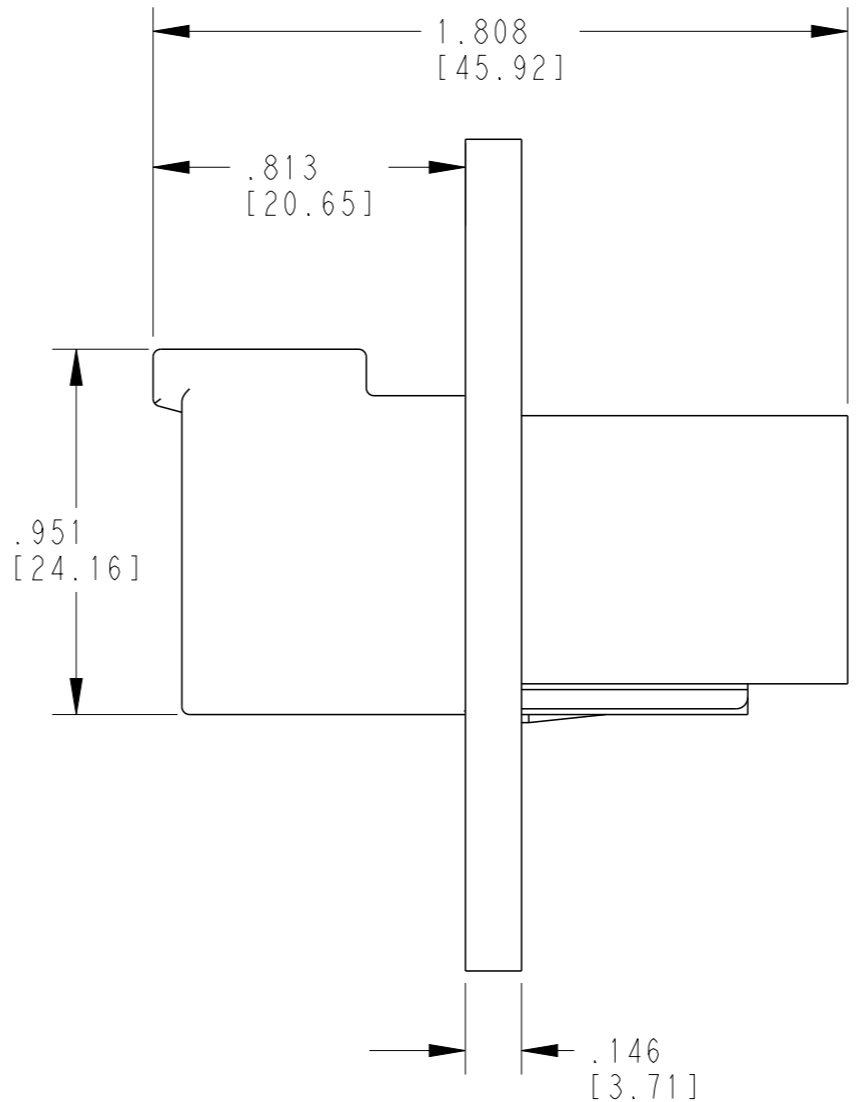
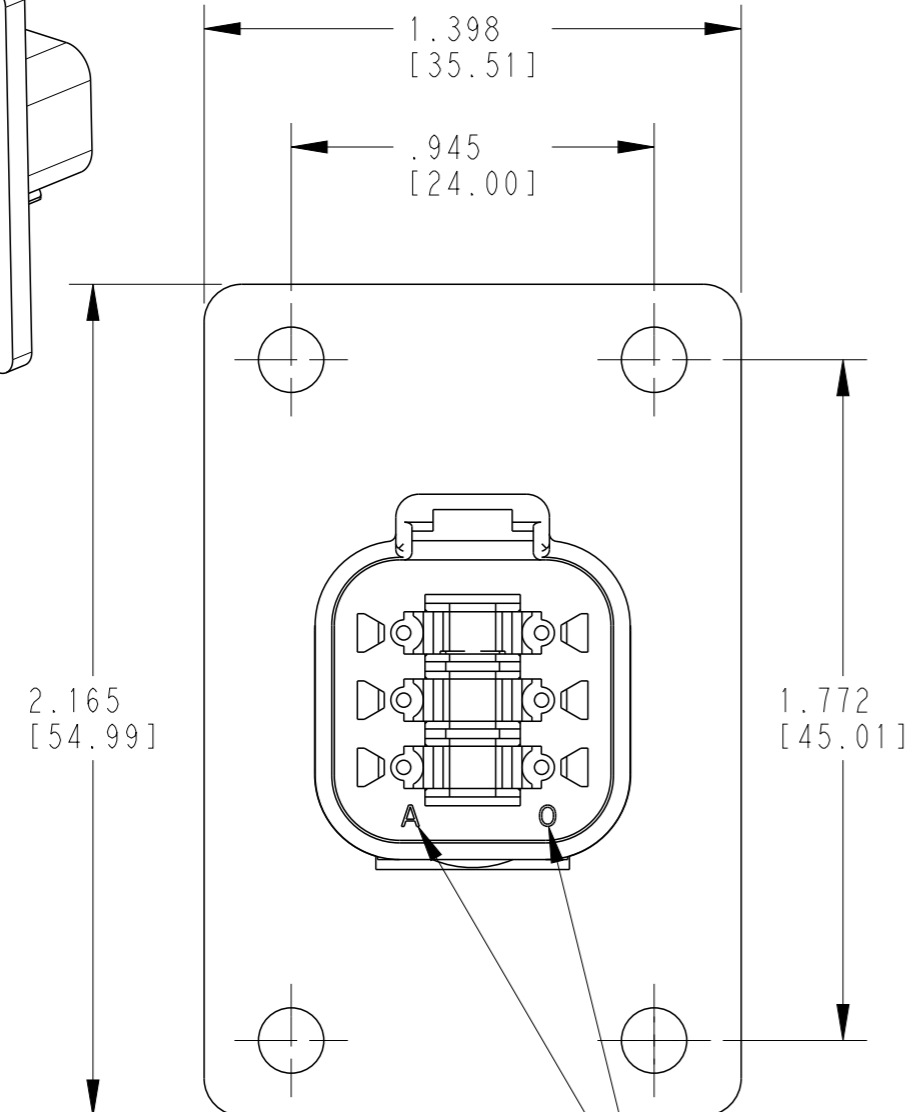
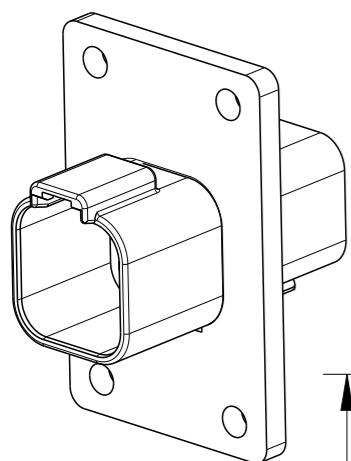


REVISIONS					
P	LTR	DESCRIPTION	DATE	DWN	APVD
	A	INITIAL RELEASE	17JUL2015	MGM	DM



5 DATE CODE: MONTH IS REPRESENTED BY SEQUENTIAL ALPHA CHARACTERS EX: A = JANUARY; YEAR IS REPRESENTED BY LAST NUMERICAL DIGIT EX: 0=2010

4 MATERIAL: RECEPTACLE HOUSING & FLANGE: PA66 GF15 (BLACK)
GROMMET: SILICONE (ORANGE-RED)

3. THIS RECEPTACLE MATES WITH DT06-6S-XXXX PLUG (XXXX = ALL MODIFICATIONS)

2. SECONDARY WEDGE LOCK SOLD SEPARATELY: W6PX-XXXX. (X = A,B,2, KEYS) XXXX = ALL MODIFICATIONS

1 DIMENSION TOLERANCE: ±.025 [.64], EXCEPT FOR PANEL CUTOUT: ±.010 [.25]. SEE SHEET 2.

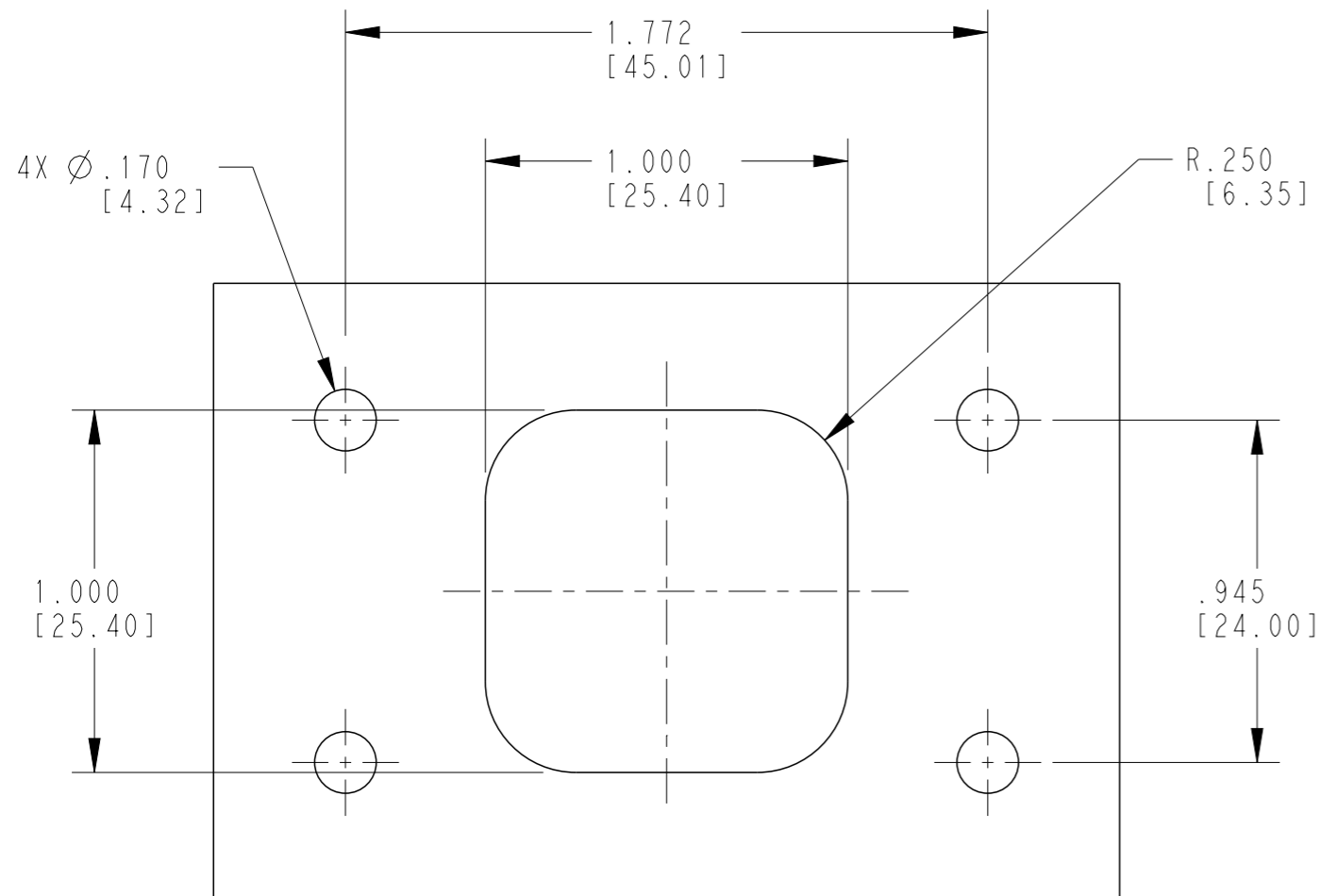
NOTES:

TCPN	ALIAS PART NUMBER		
DT04-6P-CL06	DT04-6P-CL06		
CONTACT SIZE	MIN. INSUL. O.D	MAX INSUL. O.D	WIRE RANGE [mm ²]
16	.053 [1.35]	.120 [3.05]	14-20 AWG [2.0-0.5]

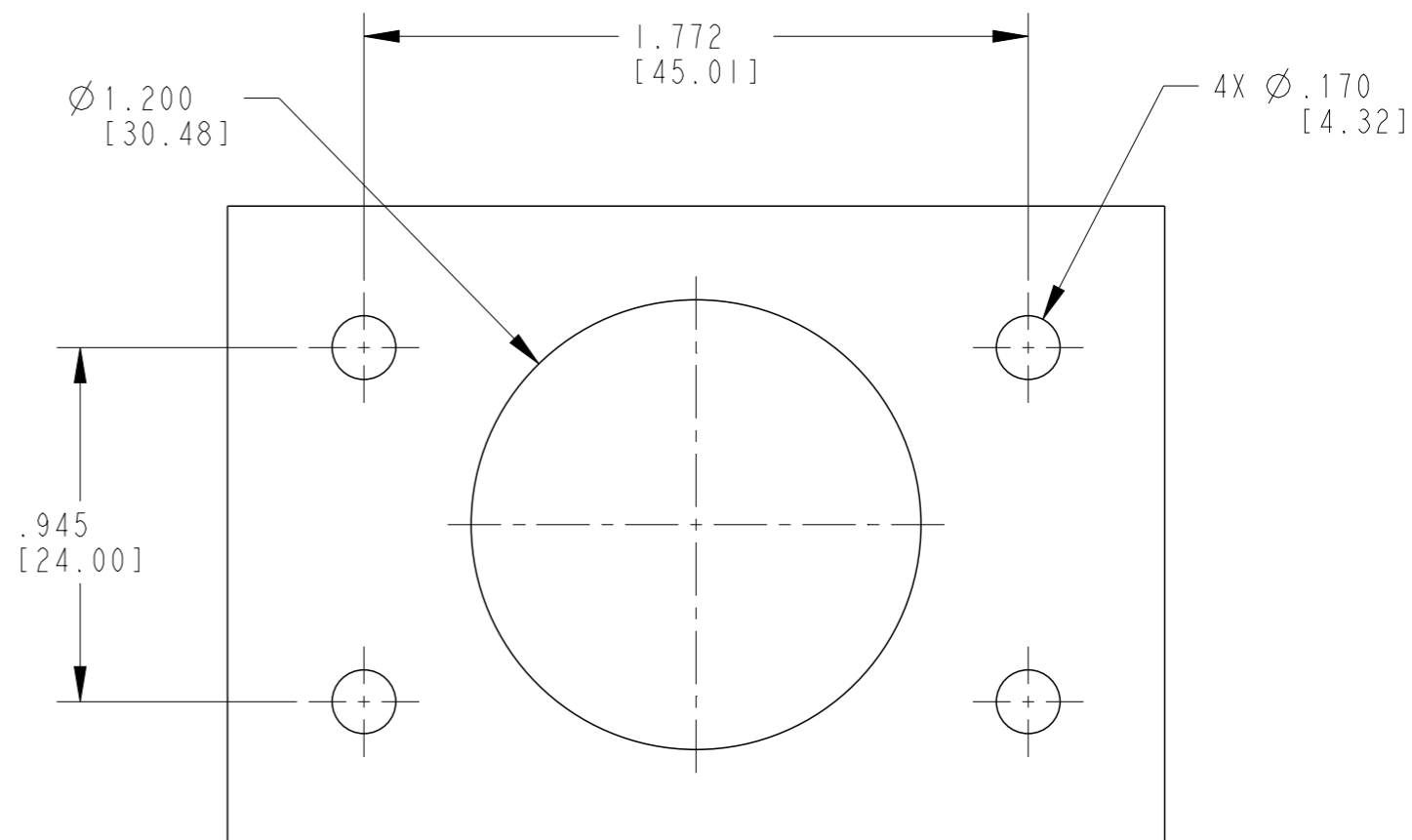
THIS DRAWING IS A CONTROLLED DOCUMENT.		DWN 21AUG2015 MANJUNATH GM	STE TE Connectivity																			
DIMENSIONS: INCHES [mm]		CHK 21AUG2015 D.MEYER																				
TOLERANCES UNLESS OTHERWISE SPECIFIED:		APVD 21AUG2015 D.MEYER	NAME RECEPTACLE, 6PIN -CL06 MOD DT SERIES																			
<table border="0"> <tr><td>0 PLC</td><td>±</td><td rowspan="4">1</td></tr> <tr><td>1 PLC</td><td>±</td></tr> <tr><td>2 PLC</td><td>±</td></tr> <tr><td>3 PLC</td><td>±</td></tr> <tr><td>4 PLC</td><td>±</td><td></td></tr> <tr><td>ANGLES</td><td>±</td><td></td></tr> <tr><td>FINISH</td><td>-</td><td></td></tr> </table>		0 PLC	±	1	1 PLC	±	2 PLC	±	3 PLC	±	4 PLC	±		ANGLES	±		FINISH	-		PRODUCT SPEC 108-151009	SIZE A3	
0 PLC	±	1																				
1 PLC	±																					
2 PLC	±																					
3 PLC	±																					
4 PLC	±																					
ANGLES	±																					
FINISH	-																					
MATERIAL 4		APPLICATION SPEC 0425-017-0000	CAGE CODE 4AFU8	DRAWING NO ©-DT04-6P-CL06																		
		WEIGHT -	RESTRICTED TO -																			
		CUSTOMER DRAWING	SCALE 2:1	SHEET 1 OF 2 REV A																		

REVISIONS

P	LTR	DESCRIPTION	DATE	DWN	APVD
-	-	SEE SHEET 1	-	-	-

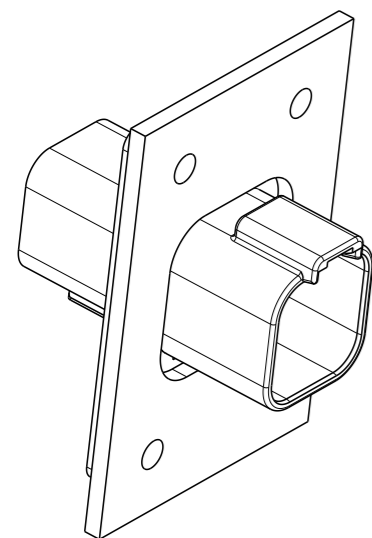


**RECOMMENDED CUTOUT
 FRONT AND REAR MOUNT**

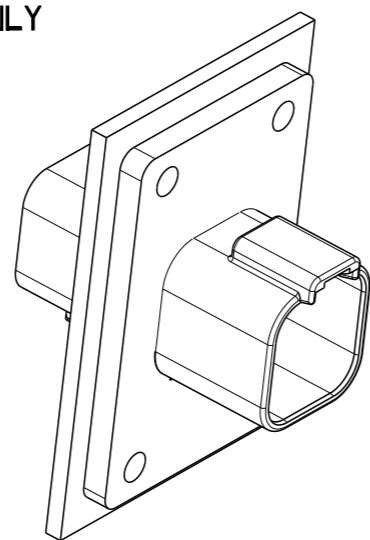


**OPTIONAL CUTOUT
 FRONT AND REAR MOUNT**

FOR REFERENCE ONLY



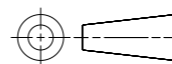
FRONT MOUNT



REAR MOUNT

THIS DRAWING IS A CONTROLLED DOCUMENT.

DIMENSIONS:
INCHES [mm]



TOLERANCES UNLESS OTHERWISE SPECIFIED:

- 0 PLC ±
- 1 PLC ±
- 2 PLC ±
- 3 PLC ±
- 4 PLC ±
- ANGLES ±
- FINISH -

MATERIAL

DWN 21AUG2015

MANJUNATH GM

CHK 21AUG2015

D. MEYER

APVD 21AUG2015

D. MEYER

PRODUCT SPEC

108-151009

APPLICATION SPEC

0425-017-0000

WEIGHT -

CUSTOMER DRAWING

NAME
RECEPTACLE, 6PIN -CL06 MOD
DT SERIES

SIZE	CAGE CODE	DRAWING NO	RESTRICTED TO
------	-----------	------------	---------------

A3	4AFU8	DT04-6P-CL06	-
----	-------	--------------	---

SCALE	SHEET	OF	REV
2:1	2	2	A

