

ETD-BL-1T-230 - Timer relay

2905813

<https://www.phoenixcontact.com/us/products/2905813>

Please be informed that the data shown in this PDF document is generated from our online catalog. Please find the complete data in the user documentation. Our general terms of use for downloads are valid.



Compact multi-functional timer relay with 4 functions and an adjustable time range (50 ms - 1 h), with screw connection, 1 changeover contact

Product description

Increasingly higher demands are being placed on safety and system availability – across all sectors. Processes are becoming more and more complex, not only in mechanical engineering and the chemical industry, but also in plant and automation technology. Demands on power engineering are also increasing constantly.

The timer relays in the ETD series can be used to control time sequences in production and process technology.

Commercial data

Item number	2905813
Packing unit	1 pc
Minimum order quantity	1 pc
Sales key	C442
Product key	CK4541
Catalog page	Page 256 (C-5-2019)
GTIN	4055626003351
Weight per piece (including packing)	80.2 g
Weight per piece (excluding packing)	80 g
Customs tariff number	85364900
Country of origin	AT

ETD-BL-1T-230 - Timer relay



2905813

<https://www.phoenixcontact.com/us/products/2905813>

Technical data

Product properties

Product type	Timer relay
Operating mode	100% operating factor
Mechanical service life	15x 10 ⁶ cycles

Insulation characteristics

Insulation	Basic insulation
------------	------------------

Insulation characteristics

Insulation	Basic insulation
Overvoltage category	III
Pollution degree	2

Electrical properties

Service life electrical	1x 10 ⁵ cycles
Nominal frequency	48 Hz ... 63 Hz
Nominal power consumption	4 VA
Test voltage relay winding/relay contact	4 kV

Input data

Nominal power consumption	4 VA
Input voltage range	24 V AC/DC ... 240 V AC/DC -15 % ... +10 %
Temperature coefficient, typical	≤ 0.01 %/K
Recovery time	100 ms
Function	E: With switch-on delay Rs: With release delay and control contact Es: With switch-on delay and control contact Ws: With single shot leading edge and control contact
Setting range time	50 ms ... 1 h (5 time end ranges)
Basic accuracy	± 1 % (of scale end value)
Setting accuracy	≤ 5 % (of scale end value)
Repeat accuracy	≤ 0.5 % ±5 ms

Control

Connection name	Non-floating, terminals A1-B1
Control pulse length	≥ 50 ms (DC) ≥ 100 ms (AC)

Output data

Switching

Contact switching type	1 floating changeover contact
Maximum switching voltage	250 V AC (in acc. with IEC 60664-1)

ETD-BL-1T-230 - Timer relay



2905813

<https://www.phoenixcontact.com/us/products/2905813>

Interrupting rating (ohmic load) max.	1250 VA (5 A / 250 V AC)
Output fuse	5 A (fast-blow)

Connection data

Connection method	Screw connection
Stripping length	8 mm
Conductor cross section rigid	0.5 mm ² ... 2.5 mm ²
Conductor cross section flexible	0.5 mm ² ... 2.5 mm ²
Conductor cross section AWG	20 ... 14
Tightening torque	1 Nm ... 1 Nm

Signaling

Status display	Green LED (POWER)
	Yellow LED (relay active)

Dimensions

Width	17.5 mm
Height	89.5 mm
Depth	65.5 mm

Material specifications

Flammability rating according to UL 94	V0
--	----

Environmental and real-life conditions

Ambient conditions

Degree of protection (Housing)	IP40 (Housing)
Degree of protection (Connection terminal blocks)	IP20 (Connection terminal blocks)
Ambient temperature (operation)	-25 °C ... 55 °C
Ambient temperature (storage/transport)	-25 °C ... 70 °C
Permissible humidity (operation)	15 % ... 85 %

Approvals

CE

Certificate	CE-compliant
-------------	--------------

UKCA

Certificate	UKCA-compliant
-------------	----------------

UL, USA/Canada

Identification	UL 508 Listed
----------------	---------------

EMC data

Low Voltage Directive	Conformance with Low Voltage Directive
Noise immunity	EN 61000-6-2
Electromagnetic compatibility	Conformance with EMC directive

ETD-BL-1T-230 - Timer relay



2905813

<https://www.phoenixcontact.com/us/products/2905813>

Noise emission	EN 61000-6-3
----------------	--------------

Standards and regulations

Standards/regulations	EN 50178
-----------------------	----------

Mounting

Mounting type	DIN rail mounting
Assembly instructions	on standard DIN rail NS 35 in accordance with EN 60715
Mounting position	any

ETD-BL-1T-230 - Timer relay

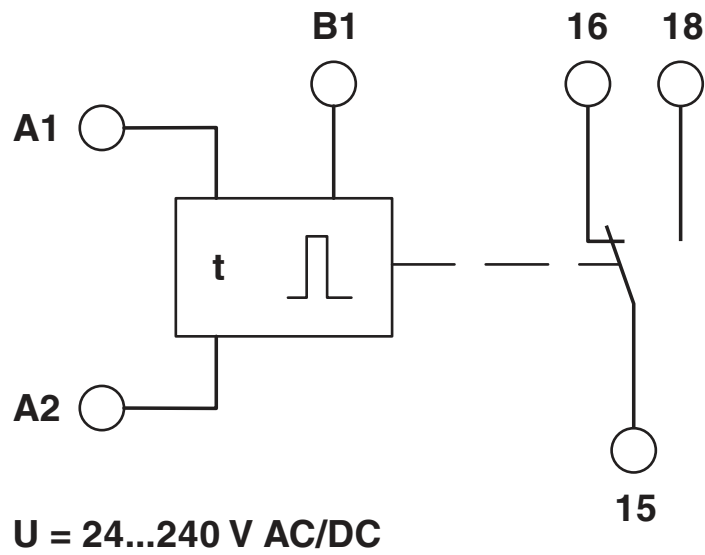
2905813

<https://www.phoenixcontact.com/us/products/2905813>



Drawings

Block diagram



ETD-BL-1T-230 - Timer relay



2905813

<https://www.phoenixcontact.com/us/products/2905813>

Approvals

To download certificates, visit the product detail page: <https://www.phoenixcontact.com/us/products/2905813>



EAC

Approval ID: RU C-DE.**08.B-00957



UL Listed

Approval ID: FILE E 172140



cUL Listed

Approval ID: FILE E 172140

cULus Listed

ETD-BL-1T-230 - Timer relay



2905813

<https://www.phoenixcontact.com/us/products/2905813>

Classifications

ECLASS

ECLASS-11.0	27371605
ECLASS-12.0	27371605
ECLASS-13.0	27371605

ETIM

ETIM 8.0	EC001439
----------	----------

UNSPSC

UNSPSC 21.0	39122300
-------------	----------

ETD-BL-1T-230 - Timer relay



2905813

<https://www.phoenixcontact.com/us/products/2905813>

Environmental product compliance

China RoHS	Environmentally friendly use period: unlimited = EFUP-e
	No hazardous substances above threshold values

Phoenix Contact 2023 © - all rights reserved
<https://www.phoenixcontact.com>

Phoenix Contact USA
586 Fulling Mill Road
Middletown, PA 17057, United States
(+717) 944-1300
info@phoenixcon.com