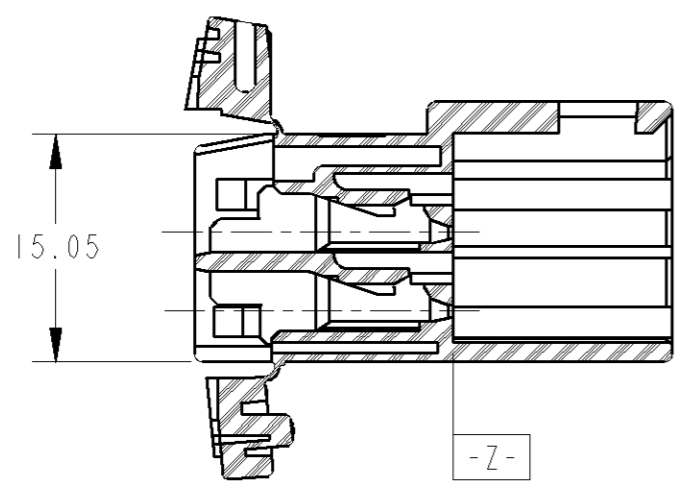
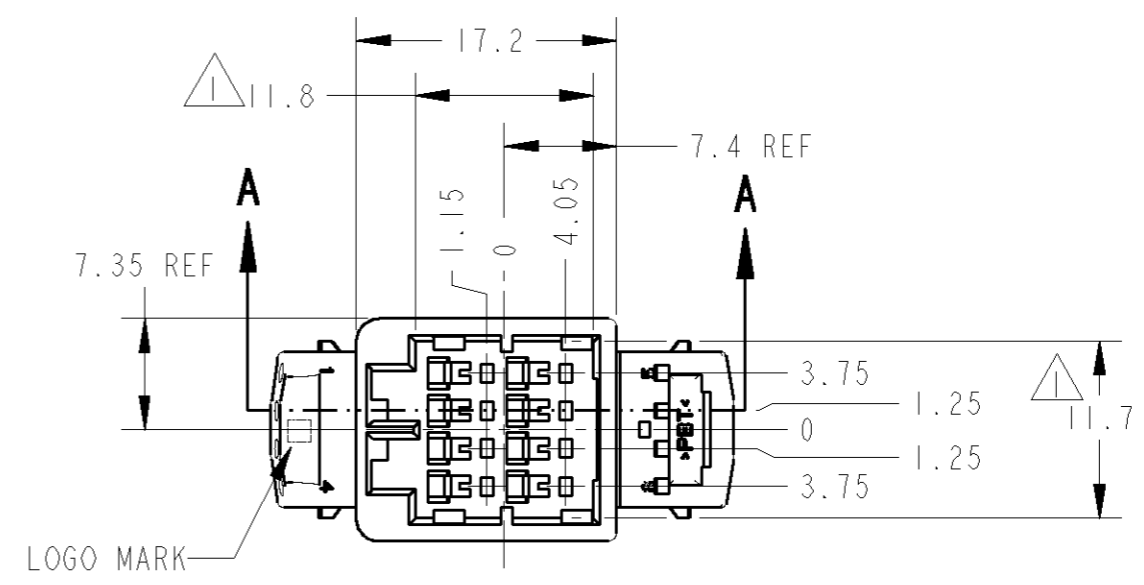
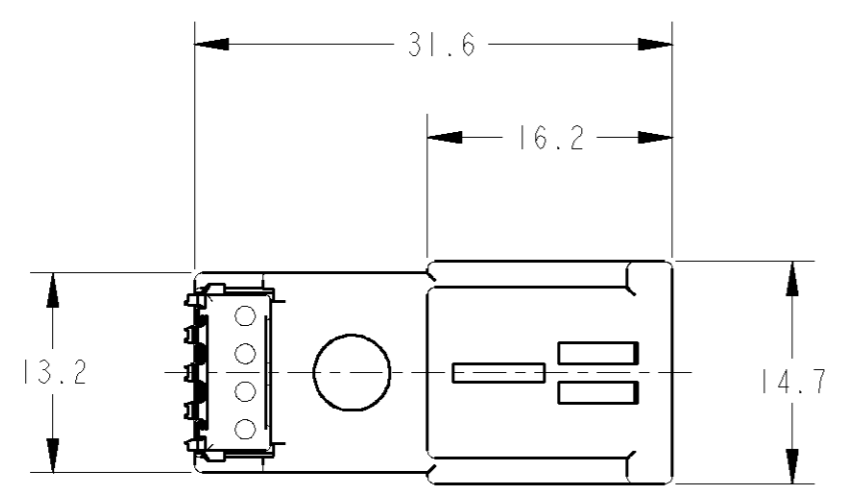


THIS DRAWING IS UNPUBLISHED. RELEASED FOR PUBLICATION 20
 © COPYRIGHT 20 BY TYCO ELECTRONICS CORPORATION. ALL RIGHTS RESERVED.

LOC	DIST	REVISIONS						
		P	LTR	DESCRIPTION	ECN	DATE	DWN	APVD
J	X		A	RELEASED		24AUG06	S.S	Y.F
			B	REVISED ECR-10-007504		04JUN10	SF	KB



A - A

- △ MUST BE KEPT BETWEEN -Z- AND 2mm
 - 2 MATING WITH PLUG HOUSING SMOOTHLY
PLUG HOUSING PART NUMBER : 175964
 - 3 APPLICABLE CONTACT PART NUMBER : 173682
-
- △ -Z- 面から2mmの範囲で測定
 - 2 相手ハウジングと支障なく嵌合できること
嵌合相手型番 : 175964
 - 3 適用端子型番 : 173682

BLACK	1939592-1
COLOR	PART NUMBER

THIS DRAWING IS A CONTROLLED DOCUMENT FOR TYCO ELECTRONICS CORPORATION IT IS SUBJECT TO CHANGE AND THE CONTROLLING ENGINEERING ORGANIZATION SHOULD BE CONTACTED FOR THE LATEST REVISION.		DWN 24AUG06 S. SAKAGUCHI	Tyco Electronics Corporation Kawasaki, Japan
DIMENSIONS: 単位: 概 mm		CHK 24AUG06 Y. NOGUCHI	
TOLERANCES UNLESS OTHERWISE SPECIFIED: 一般公差 = ± 0.5		APVD 24AUG06 Y. FUJIWARA	NAME 名称 CAP HOUSING 8POSITION (WIRE TO WIRE) 040 SERIES MULTI-LOCK I/O CONNECTOR MK-II
0 PLC ± 1 PLC ±0.5 2 PLC ±0.13 3 PLC ±0.013 4 PLC ±0.000J ANGLES ±1.00'		PRODUCT SPEC 108-5471	SIZE A3
MATERIAL 材料 PBT	FINISH 仕上 SEE TABLE	APPLICATION SPEC 取付適用規格 114-5108	CAGE CODE 00779
CUSTOMER DRAWING		WEIGHT 4.5g	DRAWING NO C=1939592
		SCALE 尺度 2:1	RESTRICTED TO -
		SHEET 1	OF 1
		REV B	