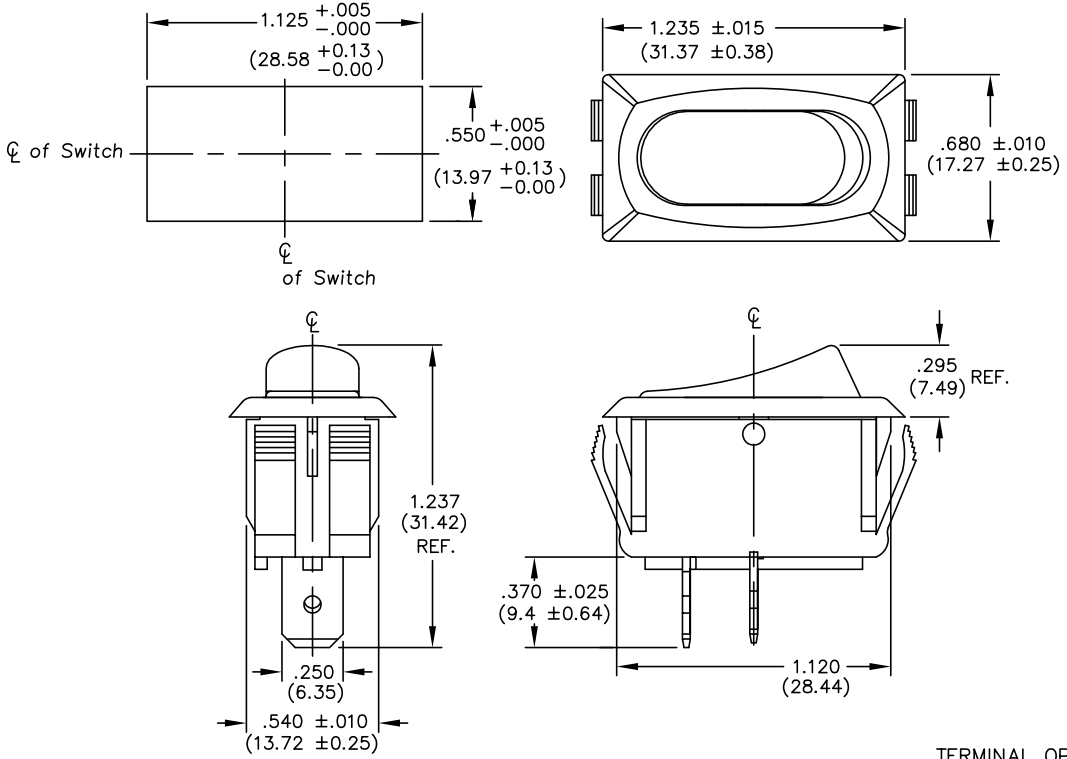


THIS INFORMATION IS CONFIDENTIAL AND PROPRIETARY TO CW INDUSTRIES INCORPORATED AND ITS AFFILIATES. IT MAY NOT BE DISCLOSED TO ANYONE OTHER THAN CW INDUSTRIES PERSONNEL, WITHOUT WRITTEN AUTHORIZATION FROM CW INDUSTRIES INCORPORATED, SOUTHAMPTON, PENNSYLVANIA USA.

DIMENSIONS IN INCHES (MILLIMETERS)
DO NOT SCALE DRAWING

Dwg. No.
GRS-2011-24XX

PANEL PIERCING



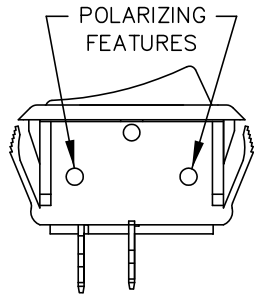
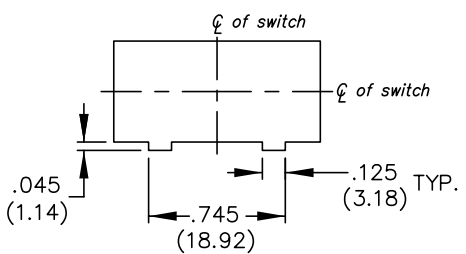
(MATTE FINISH)

TERMINAL OPTIONS:

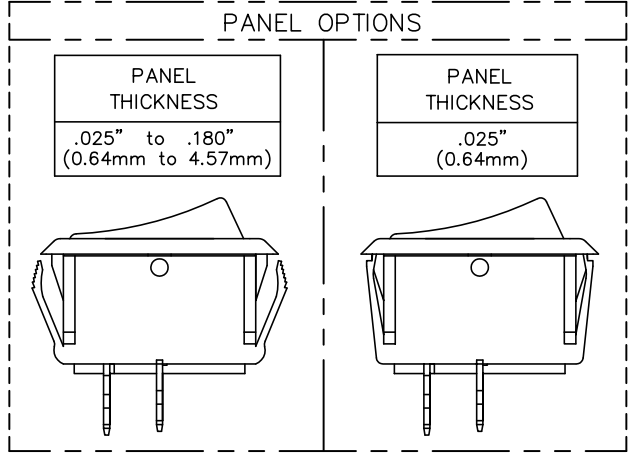
- .250" Wide Terminal is standard.
(As Shown in Drawing)
- .187" Wide Terminal is optional.

POLARIZED OPTION

POLARIZED PANEL PIERCING



PANEL OPTIONS



B-FORMAT 2002	REVISIONS	1	2	3	4	5	6	7

PDF FILE MADE	ew INDUSTRIES Southampton, Pa. 18966		Title: ROCKER SWITCH S.P.S.T. ASSEMBLY STYLE LINE 1.125" x .550" PANEL	
	TOLERANCES UNLESS OTHERWISE SPECIFIED		METRIC	
	2 Place Decimal ±.010	3 Place Decimal ±.005	1 Place Dec. ±.25mm	2 Place Dec. ±.13mm
	Made for: CW IND.		Division: SWITCH	
	Drawn by: DGW 6-16-2010		Dwg. No. GRS-2011-24XX	
Checked by:		Approval:		