



Main

| | |
|-------------------------------|------------------------------|
| Range of Product | Harmony XB5 |
| Product or Component Type | Head for key selector switch |
| Device short name | ZB5 |
| Bezel material | Dark grey plastic |
| Mounting diameter | 1.18 in (30 mm) |
| Head type | Built-in-flush |
| Sale per indivisible quantity | 1 |
| Shape of signaling unit head | Round |
| Type of operator | Left to centre spring return |
| Operator profile | Black key switch |
| Operator position information | 3 positions +/- 45° |
| Type of Keylock | Dom 8D1 |
| Key withdrawal position | Right and center |

Complementary

| | |
|-----------------------------|---|
| CAD overall width | 1.46 in (37 mm) |
| CAD overall height | 1.46 in (37 mm) |
| CAD overall depth | 2.83 in (72 mm) |
| Net Weight | 0.15 lb(US) (0.069 kg) |
| Mechanical durability | 1000000 cycles |
| Electrical composition code | C4 6 single and double front mounting C5 5 single front mounting C6 5 single and double front mounting C7 4 single front mounting C8 4 single and double front mounting C11 3 single front mounting C3 6 single front mounting SF1 3 single front mounting |

Environment

| | |
|---------------------------------------|---|
| Protective treatment | TH |
| Ambient Air Temperature for Storage | -40...158 °F (-40...70 °C) |
| Ambient Air Temperature for Operation | -40...158 °F (-40...70 °C) |
| Overvoltage category | Class II IEC 60536 |
| IP degree of protection | IP66 IEC 60529 IP67 IP69 IP69K |
| NEMA degree of protection | NEMA 13 NEMA 4X |
| Resistance to high pressure washer | 1015.26 psi (7000000 Pa) 131 °F (55 °C) 0.1 m |
| IK degree of protection | IK03 IEC 50102 |
| Standards | EN/IEC 60947-5-4 EN/IEC 60947-5-1 JIS C8201-5-1 UL 508 EN/IEC 60947-1 CSA C22.2 No 14 JIS C8201-1 |

| | |
|------------------------|--|
| Product Certifications | UL Listed DNV CSA BV LROS (Lloyds register of shipping) GL |
| Vibration resistance | 5 gn 2...500 Hz)IEC 60068-2-6 |
| Shock resistance | 30 gn 18 ms) half sine wave acceleration IEC 60068-2-27 50 gn 11 ms) half sine wave acceleration IEC 60068-2-27 |

Ordering and shipping details

| | |
|-----------------------|-------------------------------------|
| Category | 22467-PUSHBUTTONS,22MM(PLASTIC) NEW |
| Discount Schedule | CS2 |
| GTIN | 3606481340139 |
| Nbr. of units in pkg. | 1 |
| Package weight(Lbs) | 2.22 oz (63.0 g) |
| Returnability | No |
| Country of origin | FR |

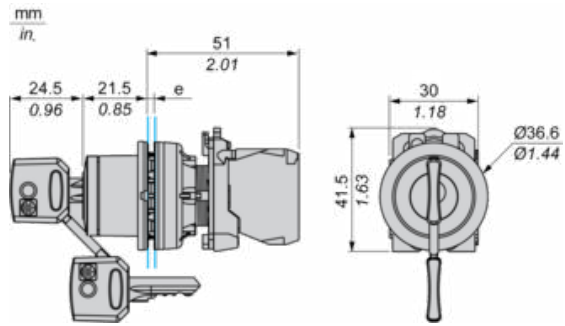
Packing Units

| | |
|------------------------------|------------------|
| Unit Type of Package 1 | PCE |
| Package 1 Height | 3.39 in (8.6 cm) |
| Package 1 width | 1.69 in (4.3 cm) |
| Package 1 Length | 2.05 in (5.2 cm) |
| Unit Type of Package 2 | CAR |
| Number of Units in Package 2 | 1 |
| Package 2 Weight | 2.57 oz (73.0 g) |
| Package 2 Height | 3.39 in (8.6 cm) |
| Package 2 width | 1.69 in (4.3 cm) |
| Package 2 Length | 2.05 in (5.2 cm) |

Offer Sustainability

| | |
|----------------------------|---|
| Sustainable offer status | Green Premium product |
| California proposition 65 | WARNING: This product can expose you to chemicals including: Lead and lead compounds, which is known to the State of California to cause cancer and birth defects or other reproductive harm. For more information go to www.P65Warnings.ca.gov |
| REACH Regulation | REACH Declaration |
| EU RoHS Directive | Pro-active compliance (Product out of EU RoHS legal scope) EU RoHS Declaration |
| Mercury free | Yes |
| RoHS exemption information | Yes |
| China RoHS Regulation | China RoHS Declaration |
| Environmental Disclosure | Product Environmental Profile |
| Circularity Profile | End Of Life Information |

Dimensions



e: Clamping thickness: 1 to 6 mm / 0.04 to 0.24 in.

Panel Cut-out for Pushbuttons, Switches and Pilot Lights (Finished Holes, Ready for Installation)

Connection by Screw Clamp Terminals or Plug-in Connectors



(1) Diameter on finished panel or support

(2) $\text{Ø}30.75 \text{ mm}$ recommended ($\text{Ø}30.5 \text{ }_0^{+0.5}$) / $\text{Ø}1.21 \text{ in.}$ recommended ($\text{Ø}1.20 \text{ in. }_0^{+0.0196}$)

| Connections | a in mm | a in in. | b in mm | b in in. |
|---|---------|----------|---------|----------|
| By screw clamp terminals or plug-in connector | 40 | 1.57 | 40 | 1.57 |
| By Faston connectors | 45 | 1.77 | 40 | 1.57 |

Electrical Composition Corresponding to Code C3

Electrical Composition Corresponding to Code C4

Electrical Composition Corresponding to Code C5

Electrical Composition Corresponding to Code C6

Electrical Composition Corresponding to Code C7

Electrical Composition Corresponding to Code C8

Electrical Composition Corresponding to Codes C9, C11, SF1 and SR1

Electrical Composition Corresponding to Code C15

1 N/O

1 N/C

1 N/O + N/C or 1 N/O + N/O or 1 N/C + N/C

Legend

Single contact

Double contact

Light block

Possible location



Sequence of Contacts Fitted to 2-position Selector Switch Body

Position 315°



| | | | | | |
|----------|----------|--------|--------|--------|------|
| Push | Position | Top | | | |
| Bottom | | | | | |
| Location | | Left | Centre | Right | |
| State | | 0 | 0 | 0 | |
| Contacts | N/O | | open | open | open |
| N/C | | closed | closed | closed | |

Position 45°



| | | | | | |
|----------|----------|------|--------|--------|--------|
| Push | Position | Top | | | |
| Bottom | | | | | |
| Location | | Left | Centre | Right | |
| State | | 1 | 1 | 1 | |
| Contacts | N/O | | closed | closed | closed |
| N/C | | open | open | open | |