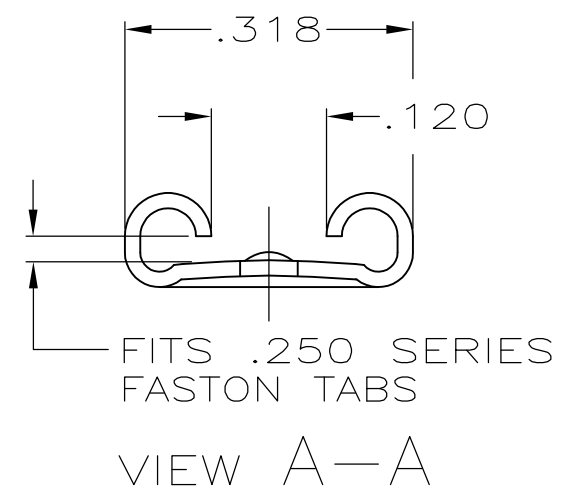
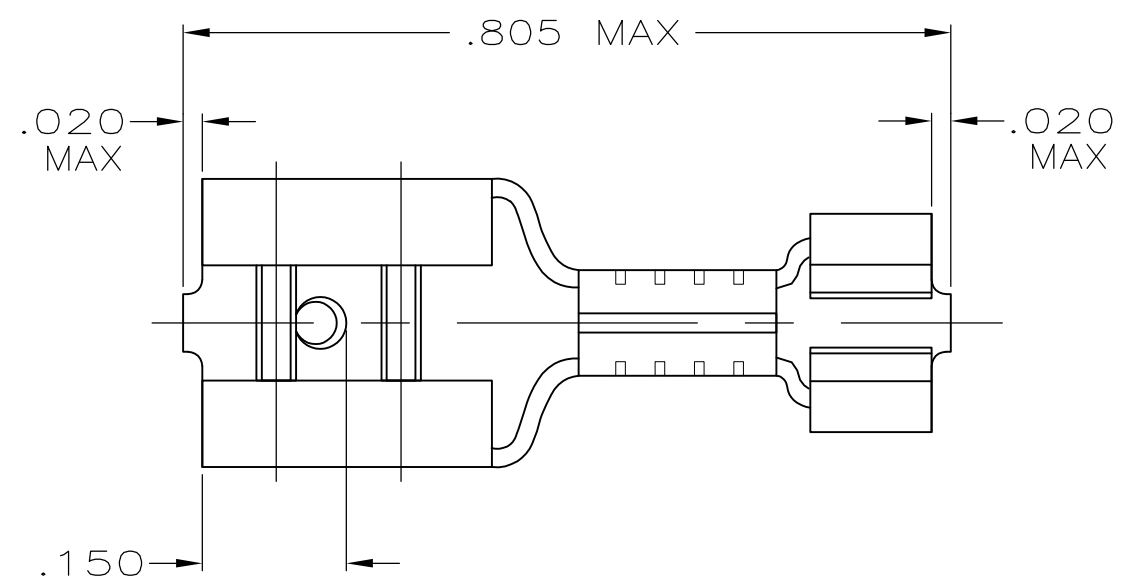
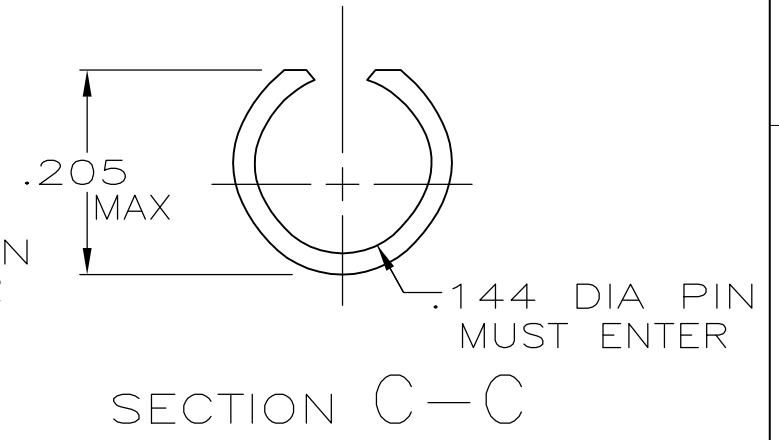
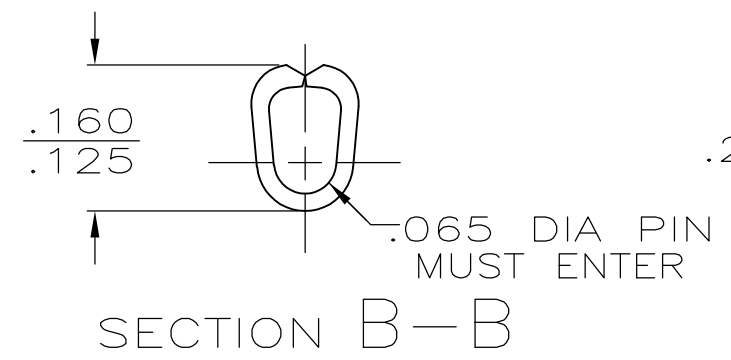
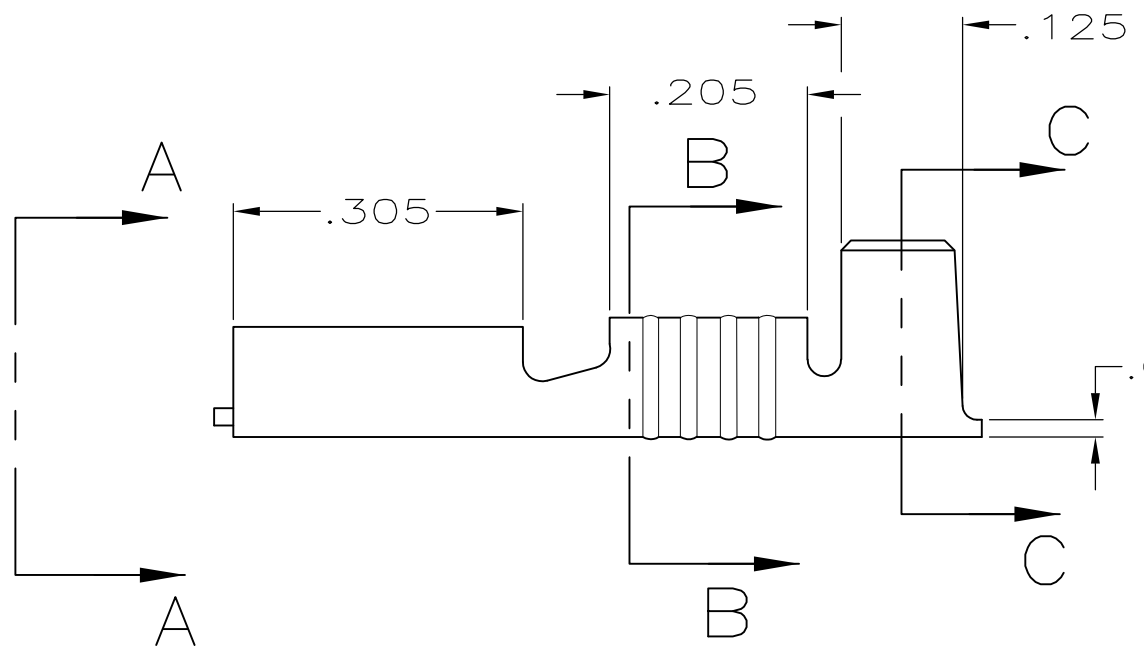


THIS DRAWING IS UNPUBLISHED. RELEASED FOR PUBLICATION
 © COPYRIGHT - By - ALL RIGHTS RESERVED.

LOC	DIST	REVISIONS			
P	LTR	DESCRIPTION	DATE	DWN	APVD
AF	50	G	REVISED PER ECR-12-013445	27OCT12	KH PD



- 1 SUPPLIED IN LOOSE PIECE3
- 2 SILVER PLATED .000150 MIN THK.
- 4 FOREIGN PRODUCTION ONLY.



OBSOLETE OBSOLETE OBSOLETE	.120-.145 DIA	18-16 AWG	TIN	BRASS	.032	42025-4
			-	#4H BRASS		42025-3
			SILVER 2	T3 PHOS BRZ.		42025-2
			TIN	T3 PHOS BRZ.		42025-1
			T3 PHOS BRZ.			42025
	INSULATION RANGE	WIRE SIZE	FINISH	MATERIAL	MATING TAB THK ±.001	PART NO

THIS DRAWING IS A CONTROLLED DOCUMENT.		DWN JR RUTH 2/13/91	TE Connectivity RECEPTACLE, FASTON, .250 SERIES			
DIMENSIONS: INCHES		CHK P FORTNEY 2/13/91				
TOLERANCES UNLESS OTHERWISE SPECIFIED:		APVD -	NAME			
0 PLC ± -		PRODUCT SPEC -	SIZE			
1 PLC ± -		APPLICATION SPEC -	CAGE CODE			
2 PLC ± -		WEIGHT -	DRAWING NO			
3 PLC ± .015		CUSTOMER DRAWING	A300779 C-42025			
4 PLC ± -			SCALE	SHEET	REV	RESTRICTED TO
ANGLES ± -		5:1	1 OF 1	G	-	
SEE TABLE						
FINISH						
SEE TABLE						