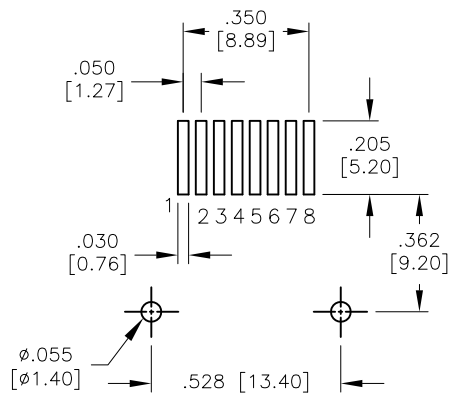
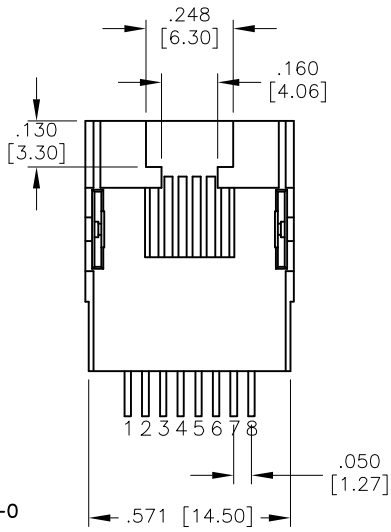
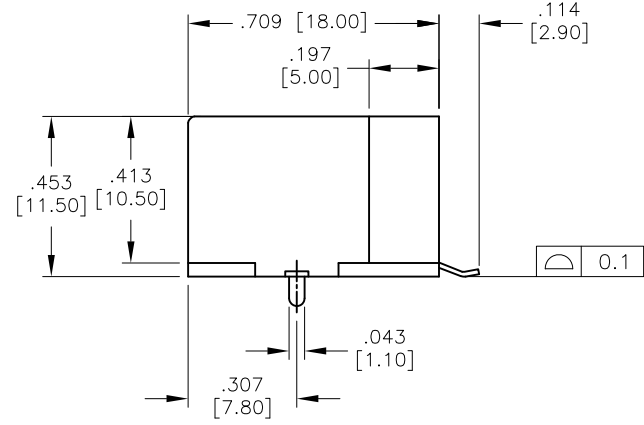
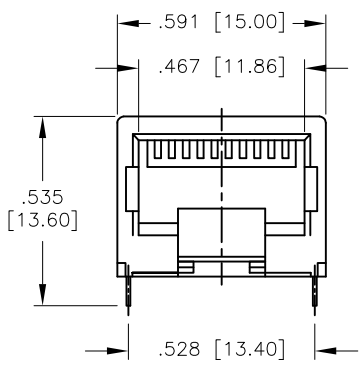


| Rev | AWO # | Description | Date | Appr |
|-----|-------|----------------|---------|-------|
| - | | RELEASED | 5/17/05 | |
| A | | UPDATED | 9/16/08 | |
| B | | UPDATE DRAWING | 6/23/16 | AY/MW |
| C | | UPDATE DIM. | 7/7/20 | AY/RC |

APPROVED: _____
 DATE: _____ TITLE: _____



RECOMENDED PCB LAYOUT

SPECIFICATIONS:

Material:
 Insulator: Hi-temp thermoplastic, rated UL 94V-0
 Insulator color: Black
 Contacts: Phosphor Bronze
 Hold down: Copper Allot, Tin plated
 Plating:
 Gold over Nickel underplate on contact area
 Gold flash over Nickel underplate on solder tails
 Electrical:
 Voltage Rating: 150 VAC max
 Current rating: 1.5 Amps max
 Contact Resistance: 20 mohms max.
 Insulation resistance: 500 Mohms min @500 VDC
 Dielectric withstanding voltage: 1000 Vrms for 1 minut
 Temperature Rating:
 Operating temperature: -40°C to +85°C
 Environmental:
 Lead free, RoHS compliant.



UNLESS OTHERWISE SPECIFIED
 ALL DIMENSIONS ARE INCHES [MM]
 TOLERANCES: EXCEPT AS NOTED

| INCHES | | HOLES | |
|--------|--------|-------|--------|
| .X | ± .10 | Ø.X | ± .10 |
| .XX | ± .020 | Ø.XX | ± .015 |
| .XXX | ± .015 | Ø.XXX | ± .010 |

| APPROVALS | | DATE |
|-----------|----|---------|
| DRAWN | SS | 5/17/05 |
| CHECKED | | |
| APPROVED | | |

ADAM TECH INTERCONNECTS 909 Rahway Avenue,
 Union, NJ 07083
 Phone: 908-687-5000
 Fax: 908-687-5710

TITLE: **MODULAR TELEPHONE JACK, 8P8C
 RIGHT ANGLE, SURFACE MOUNT**

| | | |
|------------------|------------------------------|------------------|
| SIZE X | PART NO. MTJ-88YX1 | REV. B |
| REF: S00065T | SCALE: NTS | SHEET 1 OF 1 |

6

5

4

3

2

1

D

D

C

C

B

B

A

A

6

5

4

3

2

1