

10BASE-T LAN MAGNETICS

Quad Transformer Modules



LM00500

- Transformer turns ratio RX 1 : 1 and TX 1CT : 1CT
- Filterless quad, four-port designs with common footprint and pinouts
- Optimized for use with stackable RJ-45 connectors
- Designs utilize standard 40 pin SMD packaging
- Low profile, surface mount packaging rated to 225° C peak IR reflow temperature
- Quad design offers best space, performance and cost efficiency
- Operating temperature 0° to 70° C
- Minimum interwinding breakdown voltage of 1500 Vrms

ELECTRICAL SPECIFICATIONS AT 25° C

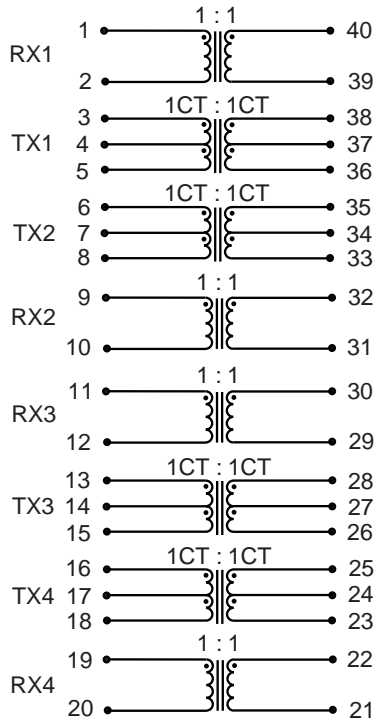
Part Number	Insertion Loss dB max	Return Loss dB min	Common to Common Mode Rejection dB min				Crosstalk dB min	
	1MHz to 10MHz	5MHz to 10MHz	5MHz to 10MHz	50MHz	100MHz	200MHz	1MHz to 10MHz	5MHz to 10MHz
Transformers Only								
S553-5999-18	-1.0	-20	-50	-35	-25	-20	---	-50
S553-5999-26	-1.0	-18	---	---	---	---	-40	---
S553-5999-53	-1.0	-18	-40	---	-30	---	-40	---
Transformers and Common Mode Chokes								
S553-5999-24	-1.0	-20	-50	-35	-25	-20	---	-50
S553-5999-32	-1.0	-18	-40	---	-30	---	-40	---
S553-5999-39	-1.0	-20	-50	-35	-25	-20	---	-50
S553-5999-76	-1.0	-18	-40	---	-30	---	-40	---

©2001 Bel Fuse Inc. Specifications subject to change without notice. 09.01

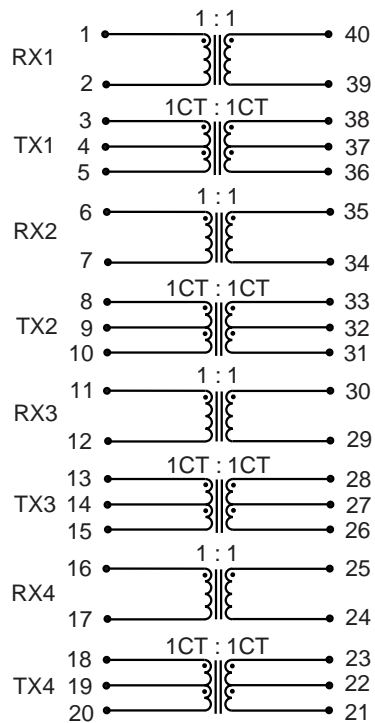
10BASE-T LAN MAGNETICS Quad Transformer Modules

SCHEMATICS

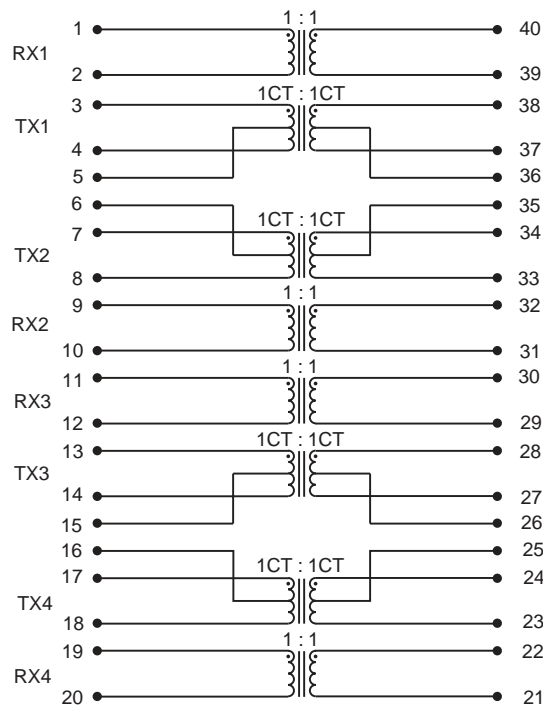
S553-5999-18



S553-5999-26



S553-5999-53



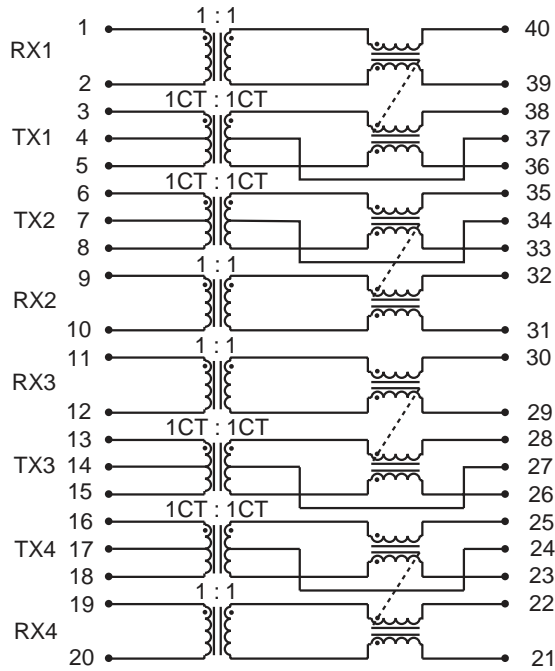
10BASE-T LAN MAGNETICS

Quad Transformer Modules

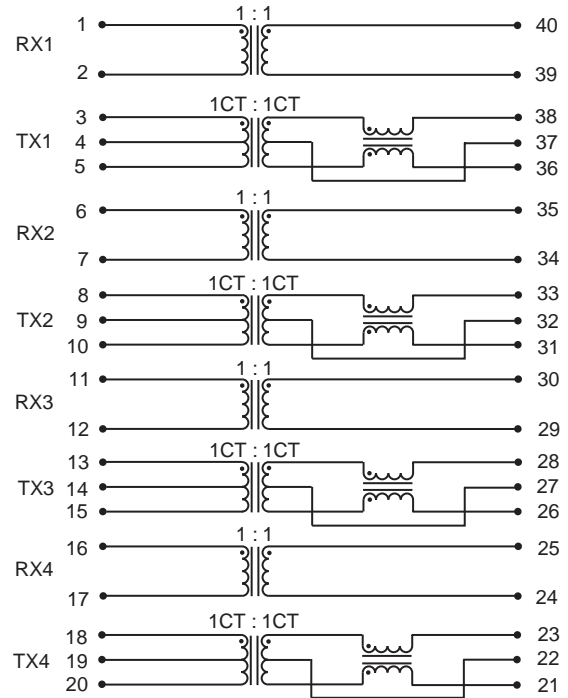
LM00500

SCHEMATICS

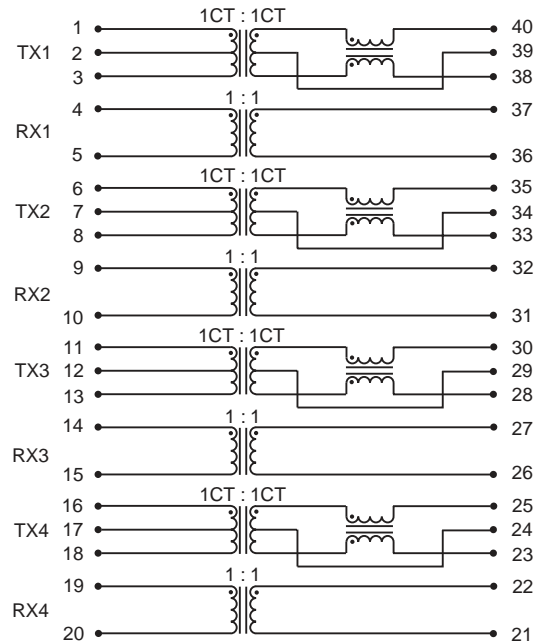
S553-5999-24
S553-5999-39



S553-5999-32

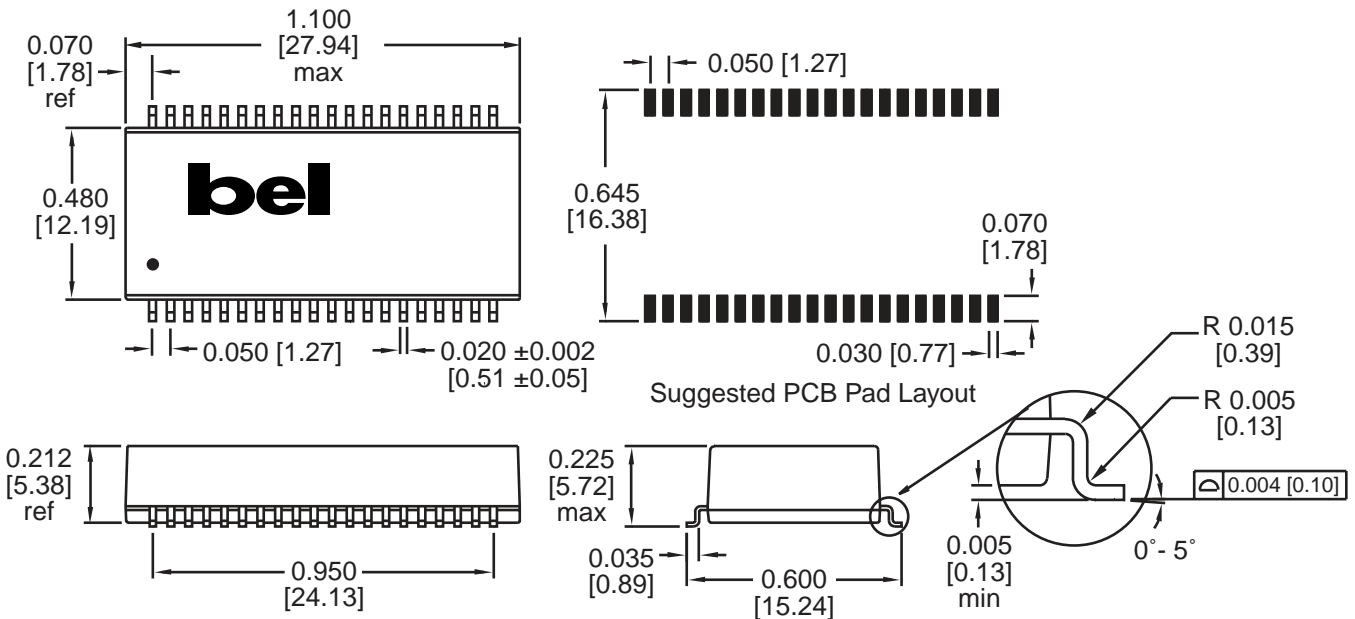


S553-5999-76



MECHANICAL

- S553-5999-18
- S553-5999-24
- S553-5999-26
- S553-5999-32
- S553-5999-39
- S553-5999-53
- S553-5999-76



Dimensions are in inches [millimeters].
Standard dimension tolerance is ± 0.005 [0.13] unless otherwise noted.

CORPORATE

Bel Fuse Inc.
206 Van Vorst Street
Jersey City, NJ 07302
Tel 201-432-0463
Fax 201-432-9542
www.belfuse.com

FAR EAST

Bel Fuse Ltd.
8F / 8 Luk Hop Street
San Po Kong
Kowloon, Hong Kong
Tel 852-2328-5515
Fax 852-2352-3706
www.belfuse.com

EUROPE

Bel Fuse Europe Ltd.
Preston Technology Management Centre
Marsh Lane, Suite G7, Preston
Lancashire, PR1 8UD, U.K.
Tel 44-1772-556601
Fax 44-1772-888366
www.belfuse.com