

6

5

4

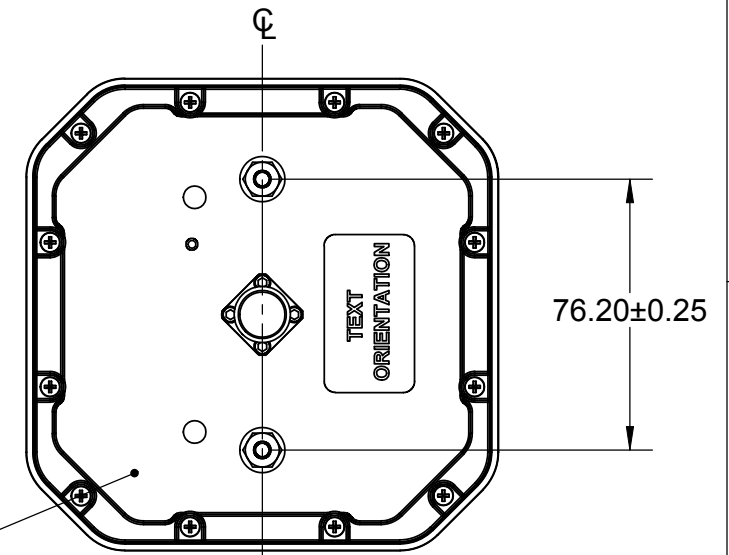
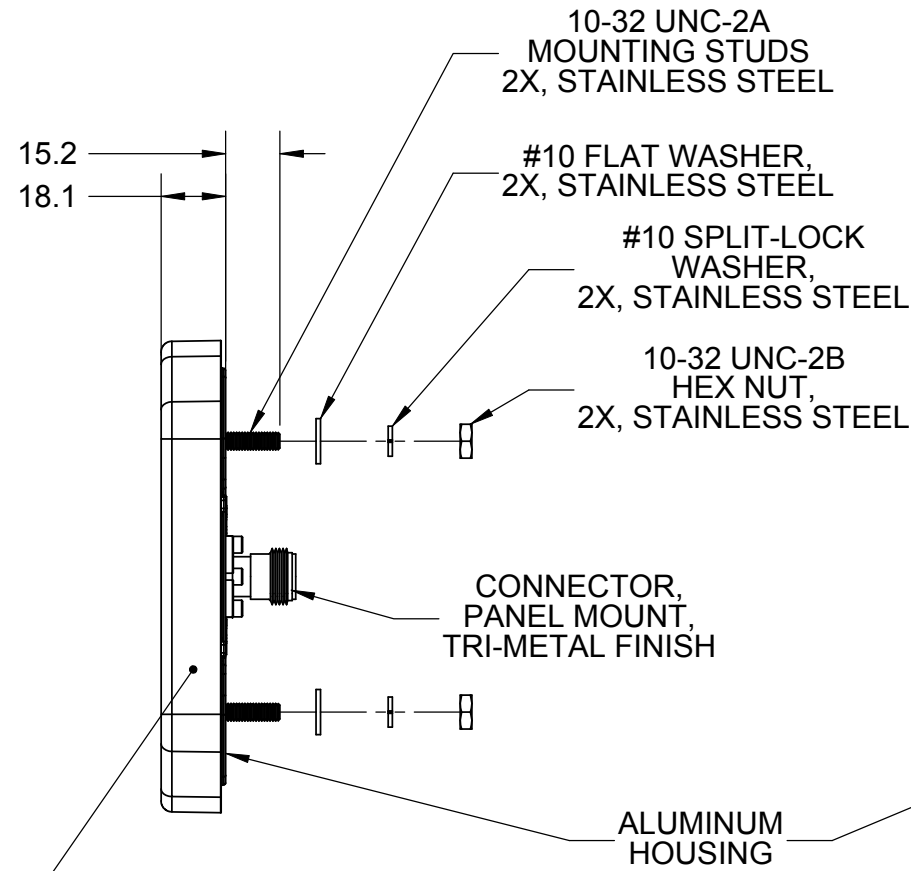
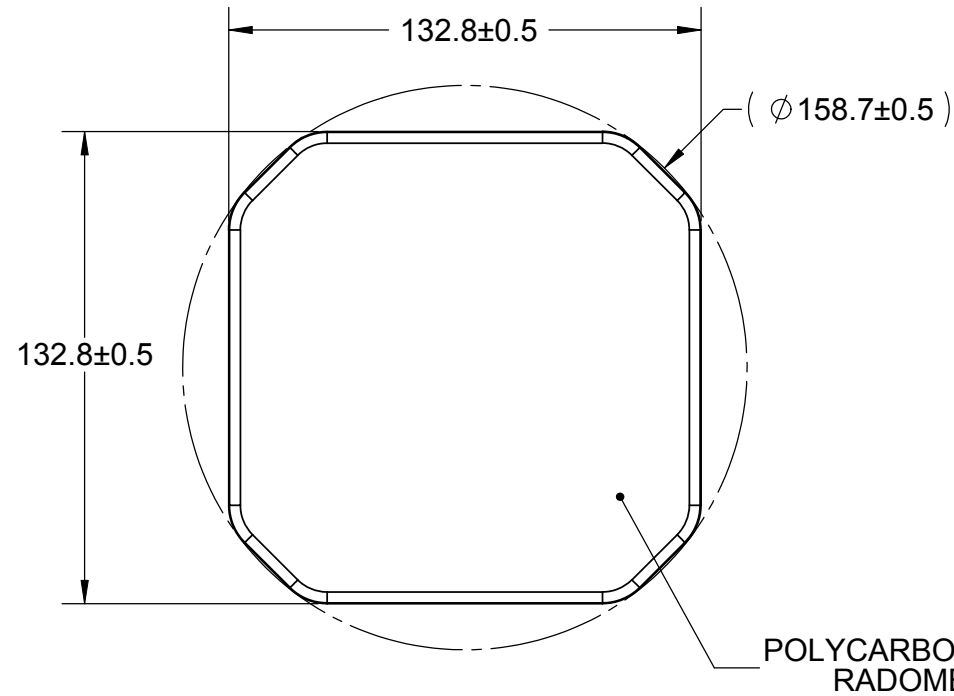
3

2

1

REVISIONS				
REV.	ECR #	DESCRIPTION	CHANGED BY/DATE	APPROVED BY/DATE
AA		INITIAL RELEASE	K.S. 05-12-08	K.S. 05-12-08

MODEL NUMBER	S9025PLNF	S9025PLRTN	S9025PLSMF	S9025PLRSMF
CONNECTOR	N-TYPE, FEMALE	TNC, REV POLARIZED	SMA, FEMALE	SMA, REV POLARIZED
FREQUENCY	902 MHz - 928 MHz			
GAIN	5.5 dBic			
AXIAL RATIO	2 dB TYPICAL			
NORMAL IMPEDANCE	50 Ω			
POLARIZATION	CIRCULAR, LEFT			
BEAMWIDTH	100 DEGREES			
VSWR	1.5:1			
F/B	8 Db			
POWER	10 W			
WEIGHT	0.37 kg (0.8 lb)			



MATERIAL:		N/A	
FINISH:		N/A	
APPROVALS		DATE	
DRAWN BY	K. SEARL	05-12-08	
PROJ. ENG.	J. MORROW	05-12-08	
APPL. MECH.	T. BOWSER	05-12-08	
MFG.	I. CHICKLIS	05-12-08	

THIRD ANGLE PROJECTION

DO NOT SCALE DRAWING

INTERPRET DIMENSIONING AND TOLERANCING IN ACCORDANCE WITH ASME Y14.5M-1994

TOLERANCES UNLESS OTHERWISE SPECIFIED

DIMENSIONS ARE IN MILLIMETERS

ANGLE: ±30'
 0 PLACE DECIMAL: +0.25
 1 PLACE DECIMAL: ±0.25
 2 PLACE DECIMAL: ±0.13

SURFACE ROUGHNESS 1.6



S9025PL

THIS DRAWING IS UNPUBLISHED.	RELEASED FOR PUBLICATION	- , - .
© Copyright 2022 TE Connectivity Ltd.	ALL RIGHTS RESERVED.	

SIZE	DWG. NO.	REV
A3	S9025PLMO	AA
SCALE: 1:2	PREVIOUS#	SHEET 1 OF 1

6

5

4

3

2

1