

Style

M8 Plug, shielded
3 pin
A-coding

Ratings

Voltage: 60 V
Current: 3 A

Operating Temperature Range

-40 ~ 105 °C

Materials

- ① Insulator: PA66, UL 94 HB, black
- ② Pin: C3604 brass, gold flashing
- ③ Nut: C3604 brass, nickel plated
- ④ Shell: C3604 brass, nickel plated
- ⑤ O-ring: Nitrile rubber, black

Electrical Requirements

Dielectric strength: 1 min @ 500 Vac
Insulation resistance: 100 MΩ @ 500 Vdc
Contact resistance: 10 mΩ or less

Mechanical Requirements

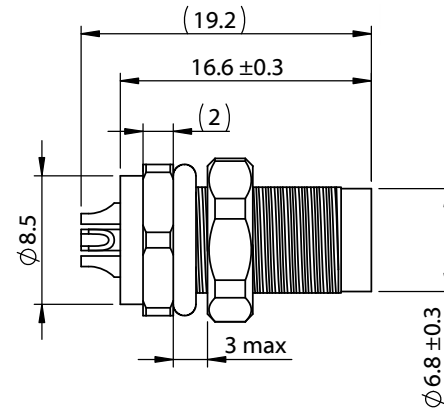
Life cycle: 1000 mating cycles minimum

Environmental Requirements

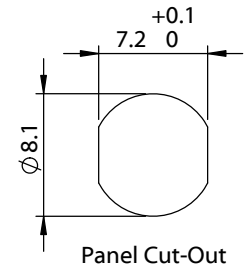
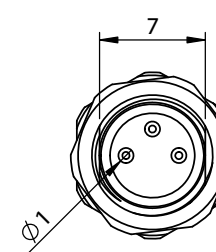
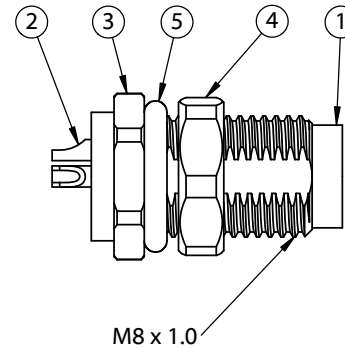
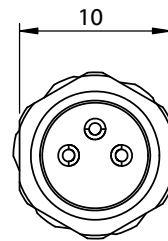
Salt spray test: 35 °C, relative humidity 90-95%, 5% NaCl mist for 24 hrs. Wash parts after test. Maintain mechanical requirements and a contact resistance of less than 10 mΩ.
Waterproof: IP67

Assembly Info

Wire gauge: 24 AWG max



Front View
Not to Scale



Revision:	Date:	Description:
A	8/25/21	Initial Release

Prepared:	Notes:
JD <small>Digitally signed by JD Date: 2021.12.30 11:00:23 -08'00'</small>	RoHS compliant
Verified:	Function test: no open, no short circuit, no intermittent
AG <small>Digitally signed by AG Date: 2021.12.30 17:33:42 -08'00'</small>	Description:
Dimensions are in millimeters. Tolerances: X: ± 0.3 mm X.X: ± 0.1 mm X.XX: ± 0.05 mm	Connector, 3 pin M8 A-code plug, 8x19.2 mm, gold plated, panel mount, solder cup, IP67

Size:	Part number:
A	54-00290
Scale: 2:1	Sheet 1 of 1

TENSILITY
tel 1.541.323.3228 800 877.670.7118
fax 1.541.323.4202 web tensility.com