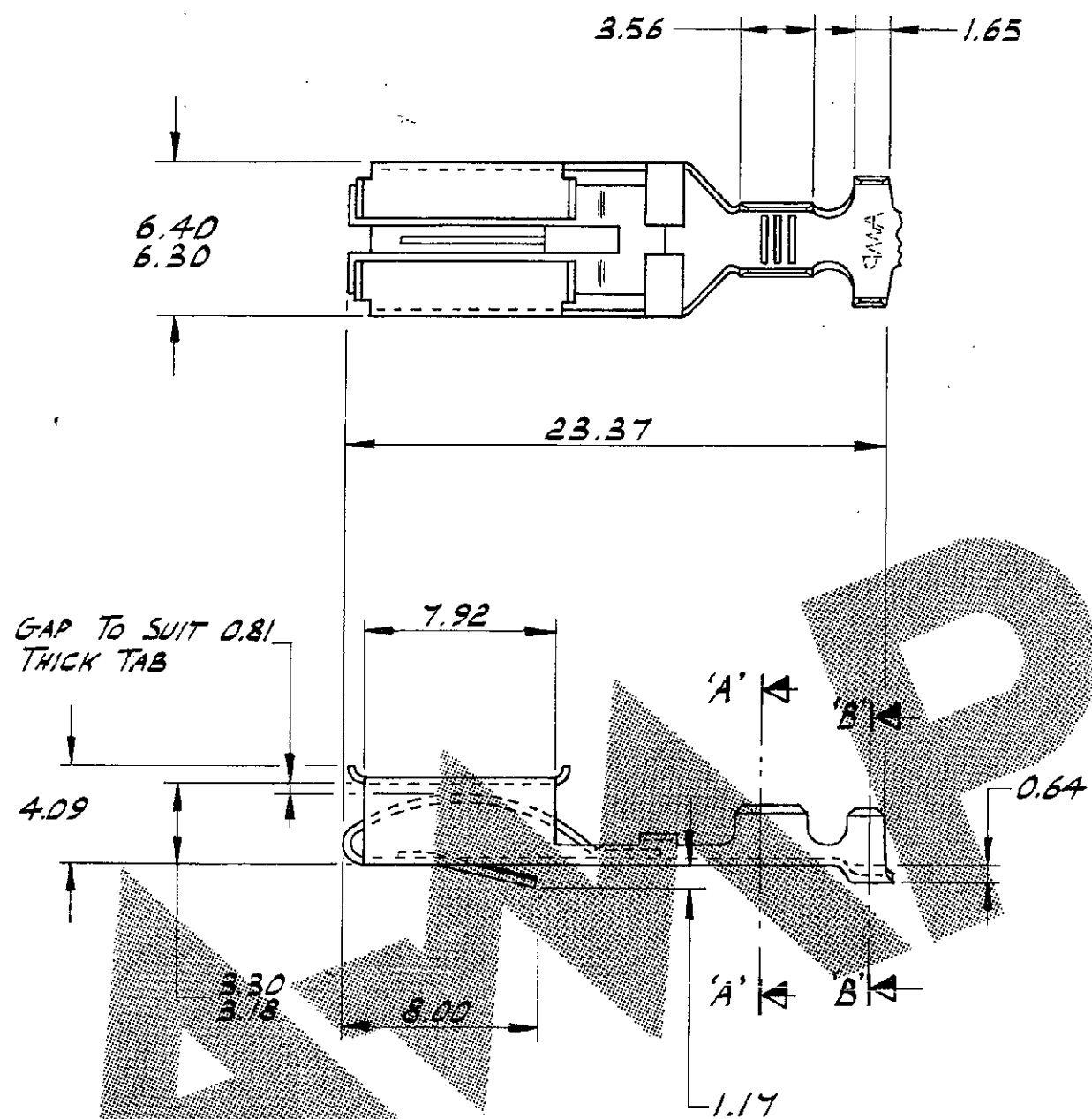


NUMBER C 342642

3rd ANGLE (AMERICAN) PROJECTION

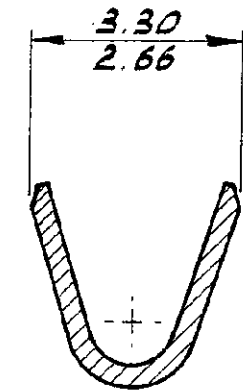
METRIC DRAWING

DIMENSIONS IN M.M. DO NOT SCALE PRINT

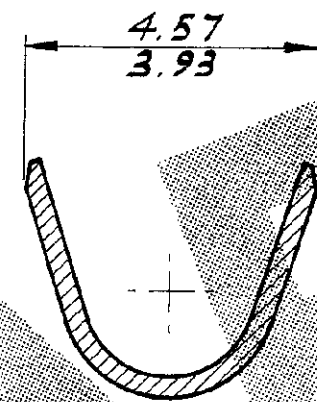


GAP TO SUIT 0.81 THICK TAB

NOTE  
✓ REEL Qty. 2-5M



SECTION 'A'-'A'  
SCALE 10:1



SECTION 'B'-'B'  
SCALE 10:1

342872-4	342642-4	PHOS. BRONZE	PRE-TIN
342872-3	342642-3	PHOS. BRONZE	NONE
342872-2	342642-2	BRASS	PRE-TIN
342872-1	342642-1	BRASS	NONE
L.P. PART NO	PART NO	MATERIAL	FINISH

© AMP of GREAT BRITAIN LTD 1983		CUSTOMER COPY REFERENCE ONLY	
E	SEE Ecn E800-0150-00	C.H.	10-3-00
3	-1 OBSOLETE	A.B.H.	27-9-88
2	L.P. NOS ADDED	MW	7-3-85
1	FIRST DRAWN	-	-
ISS REVISION RECORD		DR	CHK DATE
DR	J.CREW	14.6.83	DE
CHK		17.10.83	AP
MATERIAL AND FINISH		AMP of Great Britain Ltd.	
0.40 THICK STOCK SEE TABLE		CLASS	
WIRE - RANGE - INSULATION 0.5-1.5MM <sup>2</sup> 1.4-2.5		TYPE	
TOLERANCE EXCEPT AS NOTED ± 0.5		SCALE	LOC NO
± 1° 0'		4:1	E B C342642
NAME SPRING RECEPTACLE			

WAS P83 9441 (GERMANY PROPOSAL)