

Faster.  
Easier.  
Better.



## 2- and 4-Post Distribution Rack Systems

Modular High Density Racking System (HDRS) for network cross-connect



### Applications

These high-reliability products have been designed specifically for networking environments – from Telecom closets to world-class Data Centers – to help you make the best use of valuable real estate and simplify MACs (Moves, Adds and Changes).

The HDRS is a well-engineered cross connect and hosting platform that offers you a high level of versatility and flexibility in systems design for ultimate network density and manageability.

### How It Works

Create exactly the racking system you need from our selection of steel and aluminum distribution and server racks, combined with more than 50 standard cable management components and accessories. These items have been designed for complete compatibility and integration. The components include:

- Distribution and server racks in aluminum or steel; knockdown or welded; 2 or 4 posts
- Choice of low- or high-density vertical cable managers in single- or double-sided configurations
- High-density vertical manager half door allows easy cable access and hinging of the doors to both right and left side
- Horizontal cable managers with bend radius control and double-hinge cover
- **Accessories:** Retention Gates, Divider Bars, Transition Channels and more

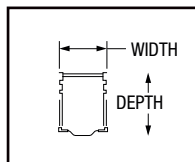
### How To Order

Select any of the Distribution and Server Rack styles. Select any of the Vertical Cable Managers listed for Distribution and Server Racks.

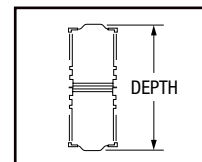
Choose any of the Accessories for the BHV Vertical Managers, Horizontal Managers or Transition Channels (See pages 44–45 for Technical Specifications and Options Tables).



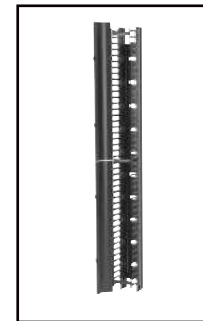
HDRS Modular High-Density Racking System



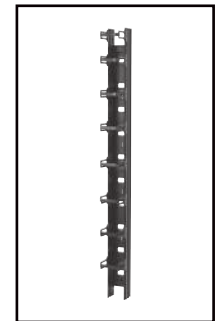
Single-Sided



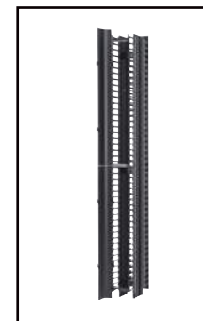
Double-Sided



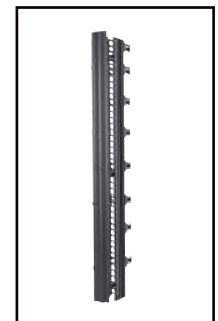
BHVH006\*  
High-Density, Single-Sided  
Vertical Manager



BHVL006\*  
Low-Density, Single-Sided  
Vertical Manager



BHVHH06  
High-Density, Double-Sided  
Vertical Manager



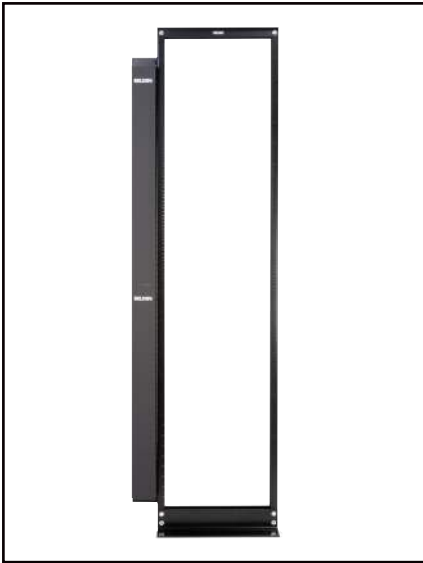
BHVHL06  
High/Low-Density, Double-  
Sided Vertical Manager

\*High- and low-density vertical manager shown here with optional back covers, BBEV06X.

### HDRS Vertical Manager Capacity

Single-Sided Manager				# of Cable 35% Fill	
High	Low	Width (in.)	Depth (in.)	Cat 6 0.250" dia.	Cat 6A 0.295" dia.
BHVH003	BHVL003	3.6	8.75	194	126
BHVH006	BHVL006	6	8.75	321	209
BHVH010	BHVL010	10	8.75	535	348
BHVH012	BHVL012	12	8.75	642	417

Double-Sided Manager				# of Cable 35% Fill	
High/High	High/Low	Width (in.)	Depth (in.)	Cat 6 0.250" dia.	Cat 6A 0.295" dia.
BHVHH03	BHVHL03	3.6	13.75	388	252
BHVHH06	BHVHL06	6	13.75	642	417
BHVHH10	BHVHL10	10	13.75	1070	696
BHVHH12	BHVHL12	12	13.75	1283	835



XDR8419-310N1M and XDR8419-312N1M



XDR8419-310N2M and XDR8419-312N2M

## 2- and 4-Post Distribution Rack Systems (continued)

### Technical Specifications

#### Ordering Information

Description	Weight	Mounting**	Load Capacity	Height/Rack Spaces	Belden Part Number
<b>2-Post Distribution Racks – Steel – Knockdown*</b>					
#10-32 Tapped 3" Vertical Upright w/Angle Base	63 lbs	19"	1,000 lbs	84"/45RU	<b>XDR8419-310</b>
#12-24 Tapped 3" Vertical Upright w/Angle Base	63 lbs	19"	1,000 lbs	84"/45RU	<b>XDR8419-312</b>
Value Series Rack, #10-32 Tapped 3" Vertical Upright w/Angle Base	63 lbs	19"	1,000 lbs	84"/45RU	<b>XDR8419-310N</b>
Value Series Rack, #12-24 Tapped 3" Vertical Upright w/Angle Base	63 lbs	19"	1,000 lbs	84"/45RU	<b>XDR8419-312N</b>
<b>2-Post Distribution Racks Kit – Steel – Knockdown*</b>					
Value Series Rack Kit, #10-32 Tapped 3" Vertical Upright w/Angle Base, Includes One 4"x 4" Vertical Manager with Snap-On Cover (part # VCMFDR4X4)	76 lbs	19"	1,000 lbs	84"/45RU	<b>XDR8419-310N1M</b>
Value Series Rack Kit, #10-32 Tapped 3" Vertical Upright w/Angle Base, Includes Two 4"x 4" Vertical Manager with Snap-On Cover (part # VCMFDR4X4)	89 lbs	19"	1,000 lbs	84"/45RU	<b>XDR8419-310N2M</b>
Value Series Rack Kit, #12-24 Tapped 3" Vertical Upright w/Angle Base, Includes One 4"x 4" Vertical Manager with Snap-On Cover (part # VCMFDR4X4)	76 lbs	19"	1,000 lbs	84"/45RU	<b>XDR8419-312N1M</b>
Value Series Rack Kit, #12-24 Tapped 3" Vertical Upright w/Angle Base, Includes Two 4"x 4" Vertical Manager with Snap-On Cover (part # VCMFDR4X4)	89 lbs	19"	1,000 lbs	84"/45RU	<b>XDR8419-312N2M</b>
<b>2-Post Distribution Racks – Steel – Welded</b>					
#10-32 Tapped 3" Vertical Upright w/Angle Base – Welded	66 lbs	19"	1,000 lbs	84"/45RU	<b>XDR8419-310W</b>
#12-24 Tapped 3" Vertical Upright w/Angle Base – Welded	66 lbs	19"	1,000 lbs	84"/45RU	<b>XDR8419-312W</b>
<b>2- and 4-Post Zone 4 Seismic Distribution Racks – Steel – Welded***</b>					
2-Post Seismic Rack, #10-32 Tapped 6" Vertical Upright w/Angle Base	105 lbs	19"	900 lbs	84"/45RU	<b>XDRS8419-610</b>
4-Post Seismic Rack, 28" Deep, #10-32 Tapped 6" Vertical Upright w/Angle Base	215 lbs	19"	900 lbs	84"/45RU	<b>XDRS8419-61028</b>
4-Post Seismic Rack, 32" Deep, #10-32 Tapped 6" Vertical Upright w/Angle Base	220 lbs	19"	900 lbs	84"/45RU	<b>XDRS8419-61032</b>
<b>2-Post Distribution Racks – Aluminum – Knockdown*</b>					
#12-24 Tapped, Black, Knockdown 3" Vertical Upright	30 lbs	19"	1,200 lbs	84"/45RU	<b>BHRR194</b>
#12-24 Tapped, Black, Knockdown 6" Vertical Upright	41 lbs	19"	1,200 lbs	84"/45RU	<b>BHRR6194</b>
<b>4-Post Distribution Racks – Steel – Knockdown*</b>					
4-Post Rack with Adjustable Depth 28"-32"-36", #10-32 Tapped 3" Vertical Upright w/Angle Base	115 lbs	19"	1,500 lbs	84"/45RU	<b>XDR8419-3102836</b>
4-Post Rack with Adjustable Depth 28"-32"-36", #12-24 Tapped 3" Vertical Upright w/Angle Base	115 lbs	19"	1,500 lbs	84"/45RU	<b>XDR8419-3122836</b>
<b>4-Post Server Rack – Steel – Welded****</b>					
XM Series Black Frame with (4) Adjustable Mounting Rails, Square Hole Type with 6 mm Mounting Hardware Included. Frame Size 24"W x 42"D x 85.6"H (45RU), Includes Levelers and Casters	240 lbs	19"	2,000 lbs	85"/45RU	<b>X3M45-1-10000</b>

\* Knockdown rack shipped not assembled, assembly hardware is included

\*\* For EIA-23" mounting consult Belden customer service

\*\*\* 4-post seismic rack is made of two welded 2-post rack structures, linked with front to rear member, shipped unassembled

\*\*\*\* 4-post server rack is not compatible with vertical managers (see page 45)

Faster.  
Easier.  
Better.

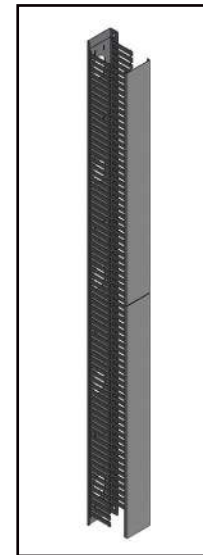


## 2- and 4-Post Distribution Rack Managers and Accessories

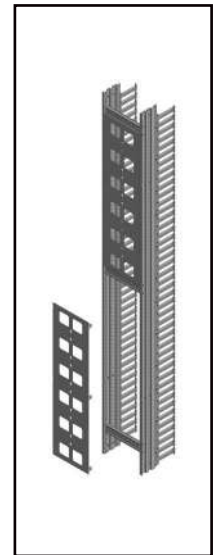


### Ordering Information

Description	Belden Part Number
<b>Vertical Cable Managers</b>	
Value Vertical Manager with Snap-On Cover 4"W x 4"D	VCMFDR4X4
Single-Sided High-Density Vertical Manager w/Doors, 3 5/8"W x 84"H, Black	BHVVH003
Single-Sided High-Density Vertical Manager w/Doors, 6"W x 84"H, Black	BHVVH006
Single-Sided High-Density Vertical Manager w/Doors, 10"W x 84"H, Black	BHVVH010
Single-Sided High-Density Vertical Manager w/Doors, 12"W x 84"H, Black	BHVVH012
Single-Sided Low-Density Vertical Manager w/o Doors, 3 5/8"W x 84"H, Black	BHVL003
Single-Sided Low-Density Vertical Manager w/o Doors, 6"W x 84"H, Black	BHVL006
Single-Sided Low-Density Vertical Manager w/o Doors, 10"W x 84"H, Black	BHVL010
Single-Sided Low-Density Vertical Manager w/o Doors, 12"W x 84"H, Black	BHVL012
Double-Sided High-Density Vertical Managers w/Doors, 3 5/8"W x 84"H, Black	BHVVH003
Double-Sided High-Density Vertical Managers w/Doors, 6"W x 84"H, Black	BHVVH006
Double-Sided High-Density Vertical Managers w/Doors, 10"W x 84"H, Black	BHVVH010
Double-Sided High-Density Vertical Managers w/Doors, 12"W x 84"H, Black	BHVVH012
High/Low-Density Vertical Manager w/Front Door, 3 5/8"W x 84"H, Black	BHVHL003
High/Low-Density Vertical Manager w/Front Door, 6"W x 84"H, Black	BHVHL006
High/Low-Density Vertical Manager w/Front Door, 10"W x 84"H, Black	BHVHL010
High/Low-Density Vertical Manager w/Front Door, 12"W x 84"H, Black	BHVHL012
<b>Accessories for BHV Vertical Managers</b>	
3 5/8"W, Black, Vertical Manager Backcover	BHBC03X
6"W, Black, Vertical Manager Backcover	BHBC06X
10"W, Black, Vertical Manager Backcover	BHBC10X
12"W, Black, Vertical Manager Backcover	BHBC12X
3 5/8"W, Black, Vertical Manager Doors (1 pr)	BHDK03X
6"W, Black, Vertical Manager Doors (1 pr)	BHDK06X
10"W, Black, Vertical Manager Doors (1 pr)	BHDK10X
12"W, Black, Vertical Manager Doors (1 pr)	BHDK12X
Slack Management Spool Kit, Black	BHSK020
Slack Management Spools (2), Black	BHSP020
Gate Kit, 3 5/8"W, Black	BHGL03X
Gate Kit, 6"W, Black	BHGL06X
Gate Kit, 10"W, Black	BHGL10X
Gate Kit, 12"W, Black	BHGL12X
Retention Gate (6) 3 5/8"W, Black	BHGR03X
Retention Gate (6) 6"W, Black	BHGR06X
Retention Gate (6) 10"W, Black	BHGR10X
Retention Gate (6) 12"W, Black	BHGR12X
Finger Section, 11U, Black	BHFS11U
Rack Mount Finger Bracket, 11U, Black	BHFB11U
Divider Bar, 3 5/8"W, Black	BHDB03X
Divider Bar, 6"W, Black	BHDB06X
Divider Bar, 10"W, Black	BHDB10X
Divider Bar, 12"W, Black	BHDB12X
Fastener for Vertical Manager (100)	BHPP100
Tie Mount for Vertical Manager (100)	BHSM100
<b>Horizontal Manager with Cover</b>	
19"W x 1RU, Black	BHH191UR
19"W x 2RU, Black	BHH192UR
19"W x 3RU, Black	BHH193UR
19"W x 4RU, Black	BHH194UR
1RU, Rack Mount, Finger Duct Manager 3.0"H x 3.0"D Deep with Cover	9512-1901
2RU, Rack Mount, Finger Duct Manager 3.0"H x 3.0"D Deep with Cover	9512-1902N
<b>Transition Channel</b> (Top transition channels are only compatible with knockdown racks)	
Top Transition Channel, 19"W x 6"D x 9"H, Black	BHTT196
Top Transition Channel High-Density, 19"W x 6"D x 6"H, Black	BHTTH196
Lower Transition Channel, 19"W x 6"D x 1.75"H, Black	BHTL196
Lower Transition Channel Double, 19"W x 6"D x 3.5"H, Black	BHTD196



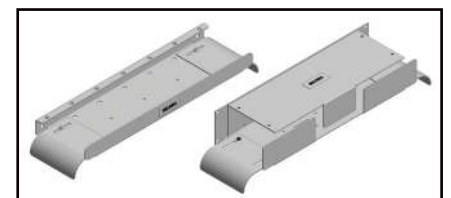
VCMFDR4X4



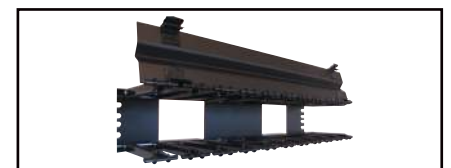
BHBC10X  
(Vertical manager not included)



9512-1902N



BHTT196 and BHTD196



BHH192UC Horizontal Manager



## XWR and XWB Series – Wall Mount Racks

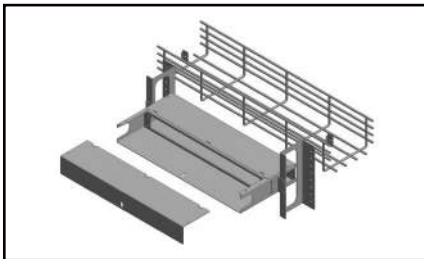
Hinged and swing-out for rear access in tight spaces



XWR-1219 Wall Mount Rack in Hinged Style  
(shown in closed position with equipment mounted)



XWB-2U 2RU Wall Mount Bracket

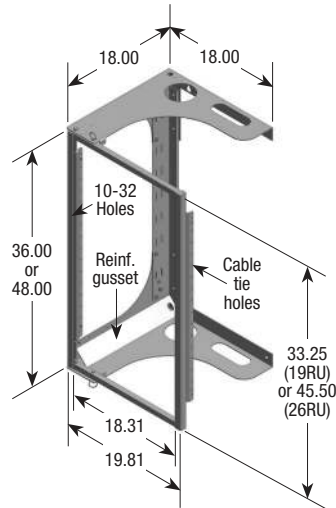


XPE-S0001 1RU rack attach to basket tray

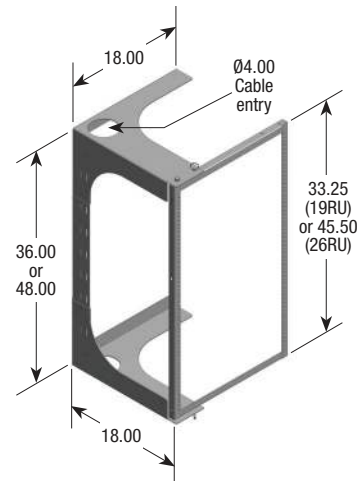
Wall Mount Racks are available in two styles: hinged and swing-out. The hinged rack is 12" in height and features an adjustable lower shelf (adjusts 2" to 6"). The swing-out rack is available in heights of 36" and 48" with 19" mounting rails. 2RU, 4RU and 6RU Wall Mount Brackets are also offered for mounting a limited number of components or pieces of equipment.



XWR-3619-18 Swing-Out Style Wall Mount Rack



Heavy-Duty XWR Swing-Out Style Wall Mount Rack



XWR Swing-out Style Wall Mount Rack

### Ordering Information

Description	H	W	D	Weight	Mounting	Load Capacity	Rack Spaces	Belden Part Number
<b>Wall Mount Racks</b>								
Standard Swing-Out Rack: 36" Wall Mount Rack with 19" Mounting Rails	36"	19.75"	18"	30 lbs	19"	100 lbs	19RU	<b>XWR-3619-18</b>
Heavy Swing-Out Rack: 36" Wall Mount Rack with 19" Mounting Rails	36"	19.75"	18"	35 lbs	19"	200 lbs	19RU	<b>XWR-3619-18HD</b>
Standard Swing-Out Rack: 48" Wall Mount Rack with 19" Mounting Rails	36"	19.75"	18"	39 lbs	19"	100 lbs	26RU	<b>XWR-4819-18</b>
Heavy-Duty Swing-Out Rack: 48" Wall Mount Rack with 19" Mounting Rails	36"	19.75"	18"	40 lbs	19"	200 lbs	26RU	<b>XWR-4819-18HD</b>
Hinged Rack: 12" Wall Mount Rack, Hinged, 19" Mounting Rails, Adjustable Lower Shelf 2"–11" to Accommodate Equipment Space	10.9"	19.5"	9.5"	26 lbs	19"	50 lbs	6RU	<b>XWR-1219</b>
<b>Wall Mount Brackets</b>								
2RU Wall Mount Bracket, Black	3.5"	19"	8"	4 lbs	19"	50 lbs	2RU	<b>XWB-2U</b>
4RU Wall Mount Bracket, Black	7.0"	19"	8"	8 lbs	19"	50 lbs	4RU	<b>XWB-4U</b>
6RU Wall Mount Bracket, Black	10.50"	19"	8"	10 lbs	19"	50 lbs	6RU	<b>XWB-6U</b>
1RU rack, includes basket tray attachment hardware	2.0"	19"	N/A	12 lbs	19"	20 lbs	1RU	<b>XPE-S0001</b>

Faster.  
Easier.  
Better.

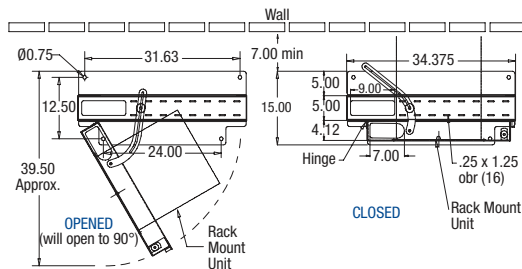


## XSW Series – Swing Rack

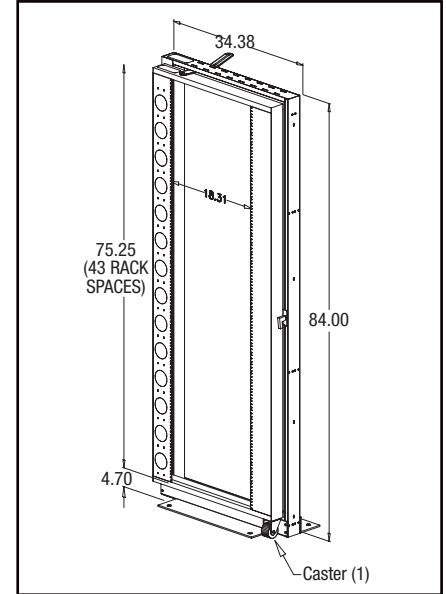
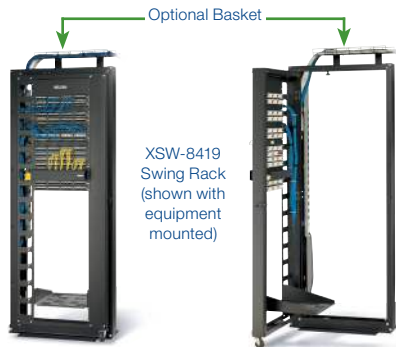
Free-standing swing-out rack used where space is limited

The Swing Rack provides easy access to the rear of rack mounted equipment in a free-standing environment. It is ideal for applications where space is limited and rear access is essential.

- Rack can be assembled as a left or right hinge and open 90°
- Rack can be positioned as close as 7" from wall
- Equipment up to 18.5" deep can be pivoted
- Cable management allows for cable routing without interference of the swing rack
- Racks can be bolted side-to-side
- Friction lock prevents rack movement while servicing



XSW Top View



XSW Front View

### Ordering Information

Description	Weight	Mounting	Load Capacity	Rack Spaces	Belden Part Number
<b>Swing Racks</b>					
84" Swing-Out Distribution Rack	179 lbs	19"	500 lbs	34RU	<b>XSW-8419</b>
<b>Accessories (Sold Separately)</b>					
Top Mounting Wire Basket	—	—	—	—	<b>XSW-0200</b>
Power Strip Mounting Kit	—	—	—	—	<b>XSW-0100</b>