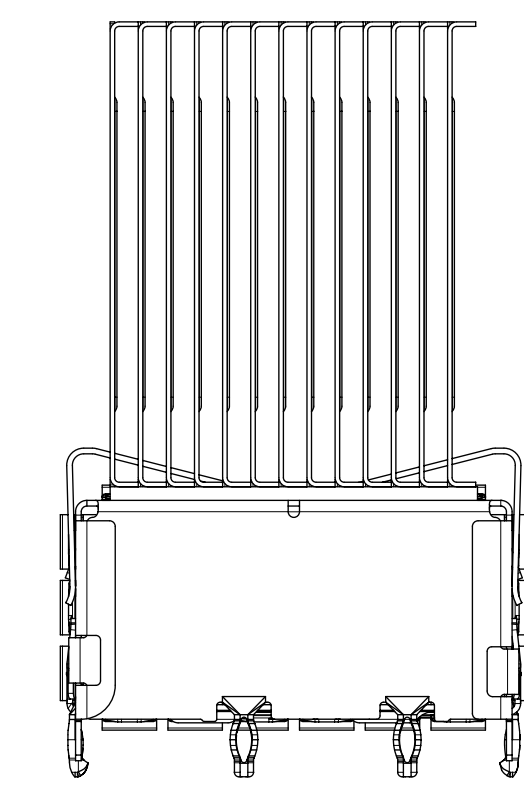
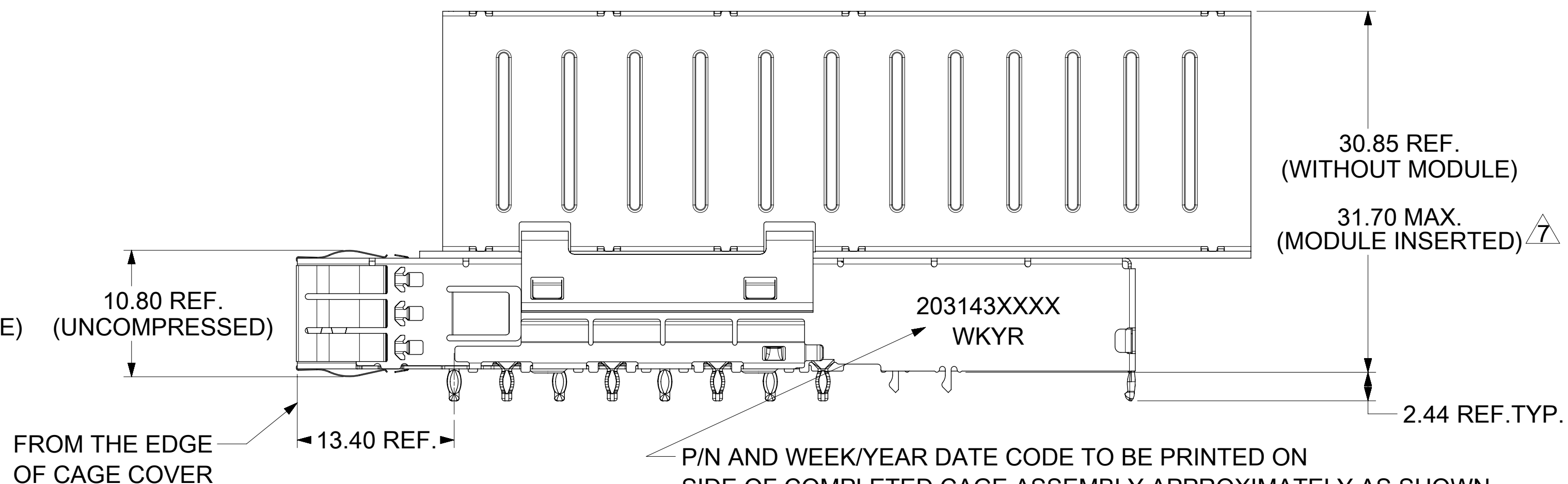
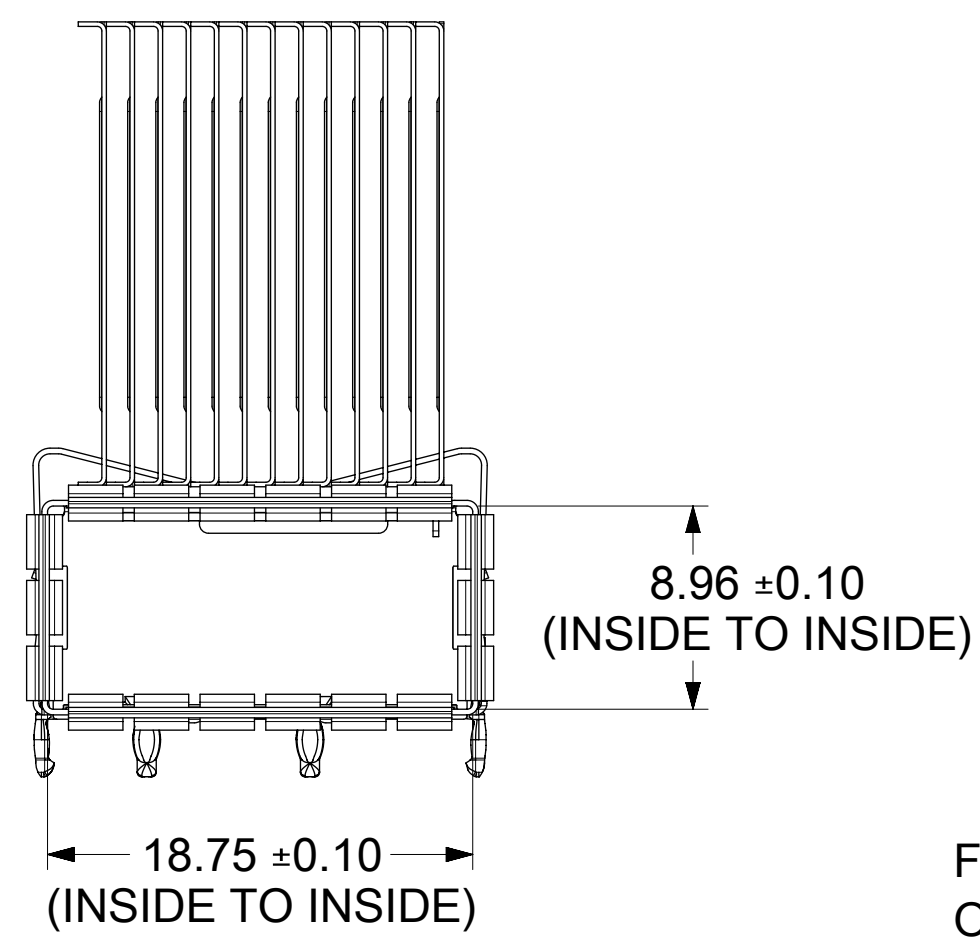
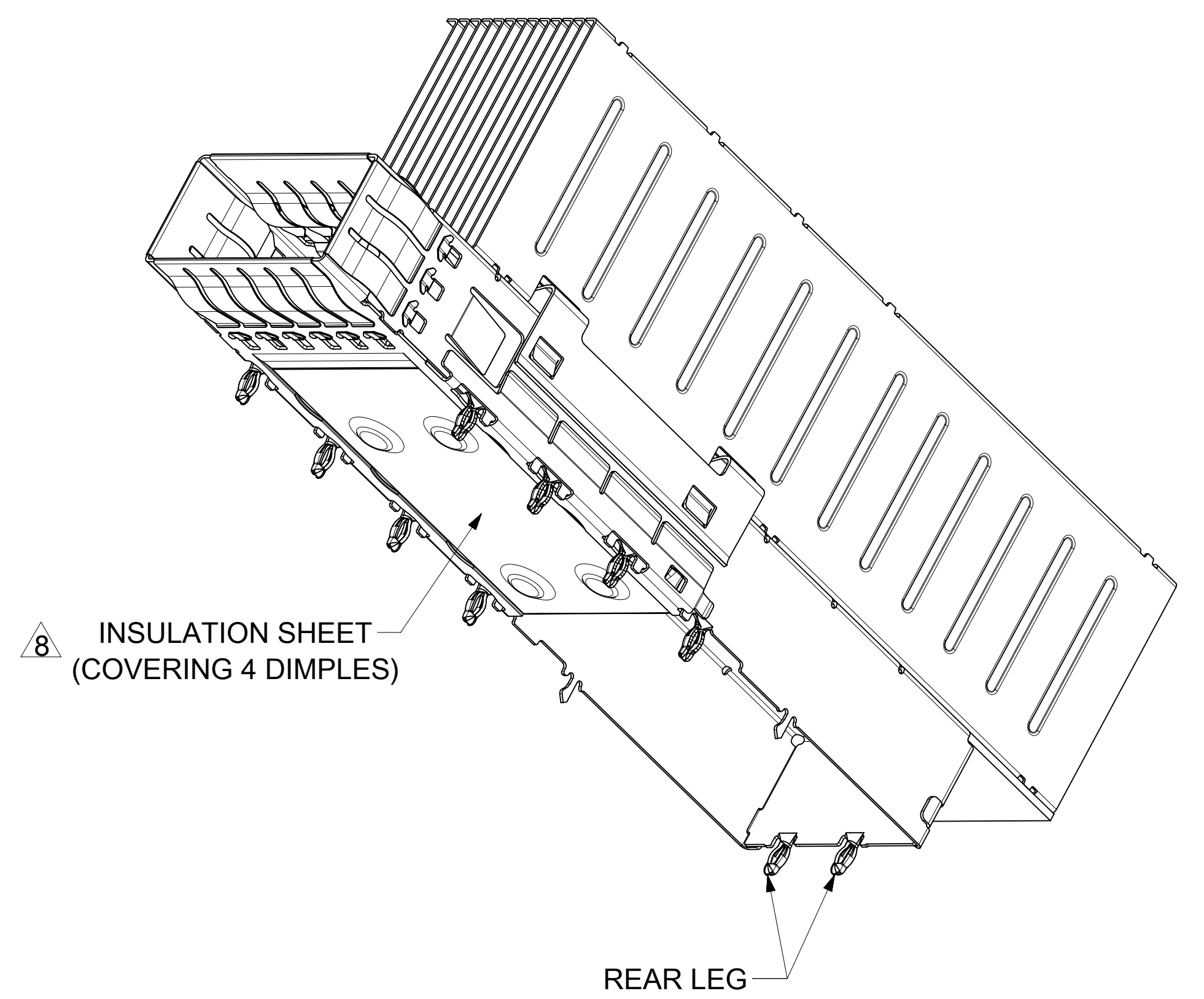
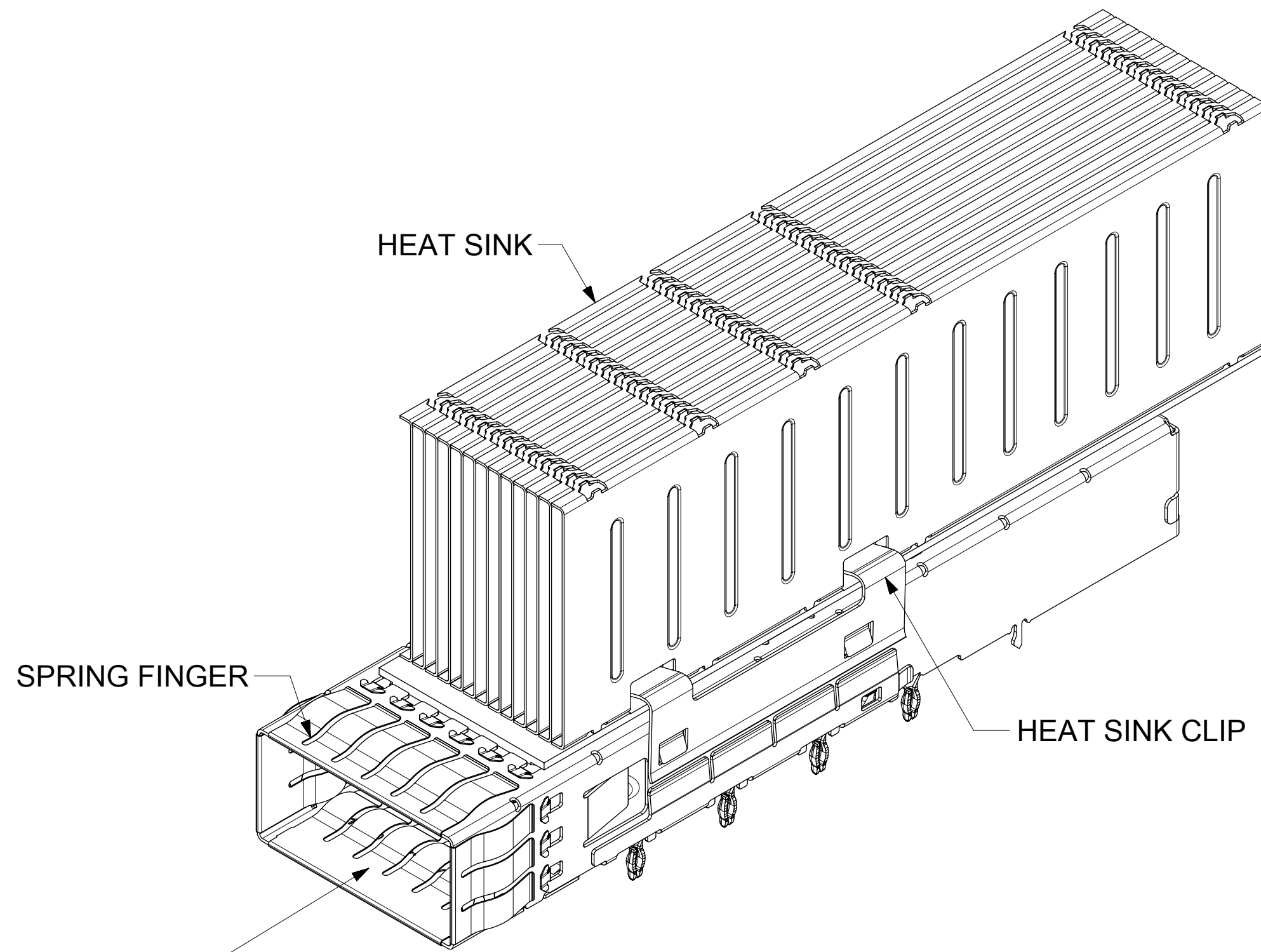
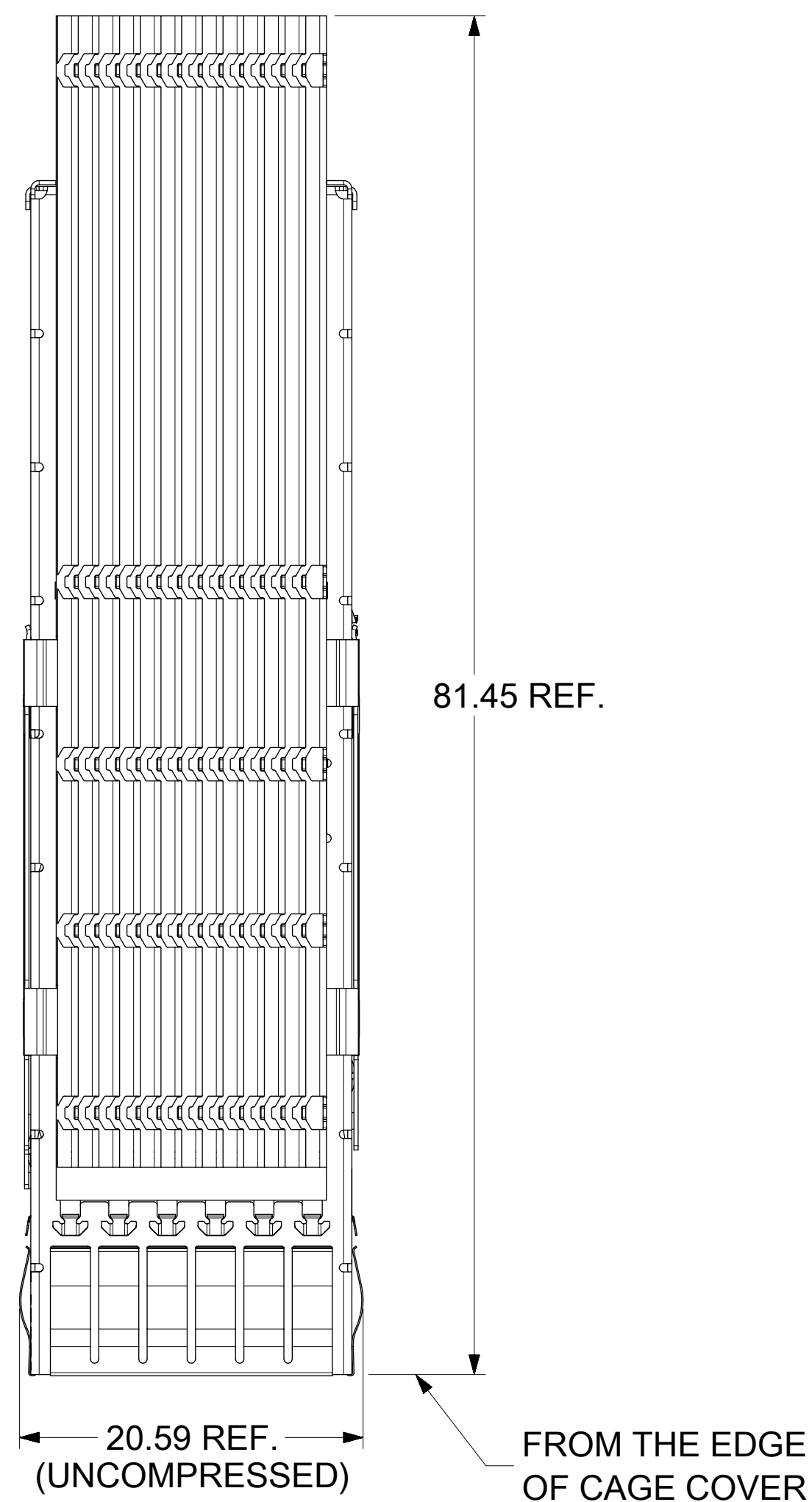


CAGE DETAIL



- NOTES:
- MATERIAL: CAGE: STAINLESS STEEL
HEAT SINK: COPPER ALLOY(NICKEL PLATED)
HEAT SINK CLIP: STAINLESS STEEL
INSULATION SHEET: POLYIMIDE FILM (THICKNESS : 0.05MM)
 - DURING FINAL INSPECTION, CAGE LEG LOCATIONS AND STRAIGHTNESS MUST BE CHECKED USING APPROPRIATE GO - NO GO GAGE
 - DURING FINAL INSPECTION, CAGE MUST BE INSPECTED TO MAKE SURE LEG CONFIGURATIONS AND PART NUMBERS ARE CORRECT.
 - PARTS TO BE INSPECTED PER MOLEX COSMETIC SPEC ES-171233-0001 (CLASS B UNLESS OTHERWISE SPECIFIED)
 - PRESS-FIT LEGS 2.44mm LONG -
1.57mm MINIMUM PCB THICKNESS FOR SINGLE SIDED USE.
2.70mm MINIMUM PCB THICKNESS FOR BELLY TO BELLY USE.
 - NO RoHS EXEMPTIONS.
- △ HEIGHT OF HEAT SINK WITH MODULE INSERTED.
DIMENSION MAY BE LESS DUE TO MODULE AND HEAT SINK VARIATIONS
- △ MINOR BUBBLING TO BE EXPECTED ON INSULATION SHEET AREA.

P/N AND WEEK/YEAR DATE CODE TO BE PRINTED ON SIDE OF COMPLETED CAGE ASSEMBLY APPROXIMATELY AS SHOWN. SEE TABLE BELOW FOR DATE CODE INFORMATION.

WEEK/YEAR DATE CODE TABLE	
WK	WEEK OF THE YEAR 01 THRU 52 OR 53 (EXAMPLE: 01= FIRST WEEK OF YEAR, 52 OR 53 = LAST WEEK OF YEAR)
YR	21, 22, 23 ETC.. (EXAMPLE: YEAR 2021= 21)

THIS DRAWING CONTAINS INFORMATION THAT IS PROPRIETARY TO MOLEX ELECTRONIC TECHNOLOGIES, LLC AND SHOULD NOT BE USED WITHOUT WRITTEN PERMISSION

DIMENSION UNITS	SCALE	CURRENT REV DESC: SEE REVISION TABLE	
mm	3:1		
GENERAL TOLERANCES (UNLESS SPECIFIED)			
ANGULAR TOL	± 2.0°		
4 PLACES	±	EC NO: 637784	2020/07/30
3 PLACES	± 0.13	DRWN: JYEN01	2021/05/17
2 PLACES	± 0.15	CHK'D: MCHEN104	2021/05/18
1 PLACE	± 0.3	APPR: JCHIANG	
0 PLACES	± 0.3	INITIAL REVISION:	
DRAFT WHERE APPLICABLE MUST REMAIN WITHIN DIMENSIONS		DRWN: JYEN01	2020/07/30
THIRD ANGLE PROJECTION		APPR: JCHIANG	2021/05/18
D-DRAWING		SERIES	MATERIAL NUMBER
D-SIZE		203143	2031432009
CUSTOMER		SHEET NUMBER	
		1 OF 5	

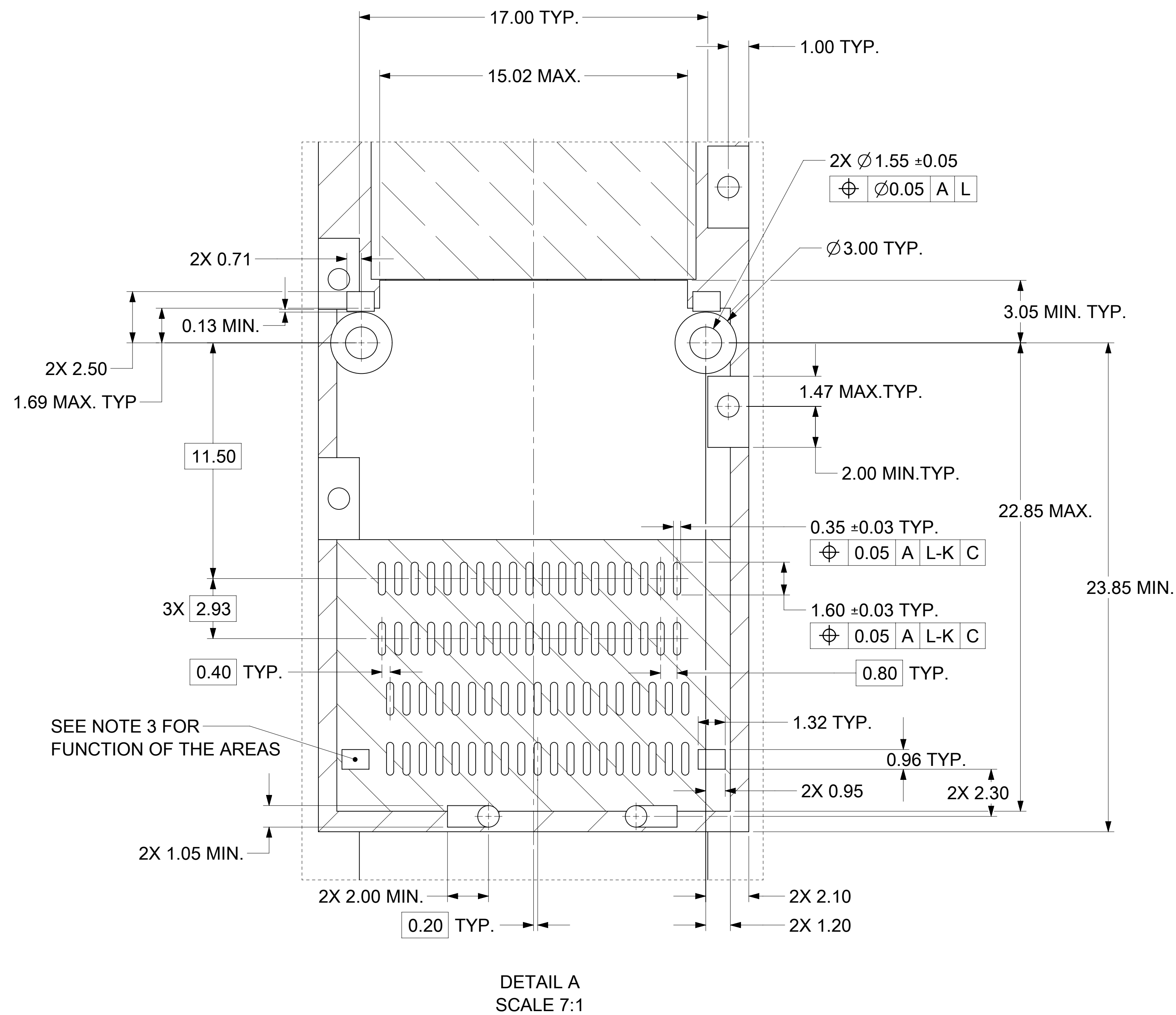
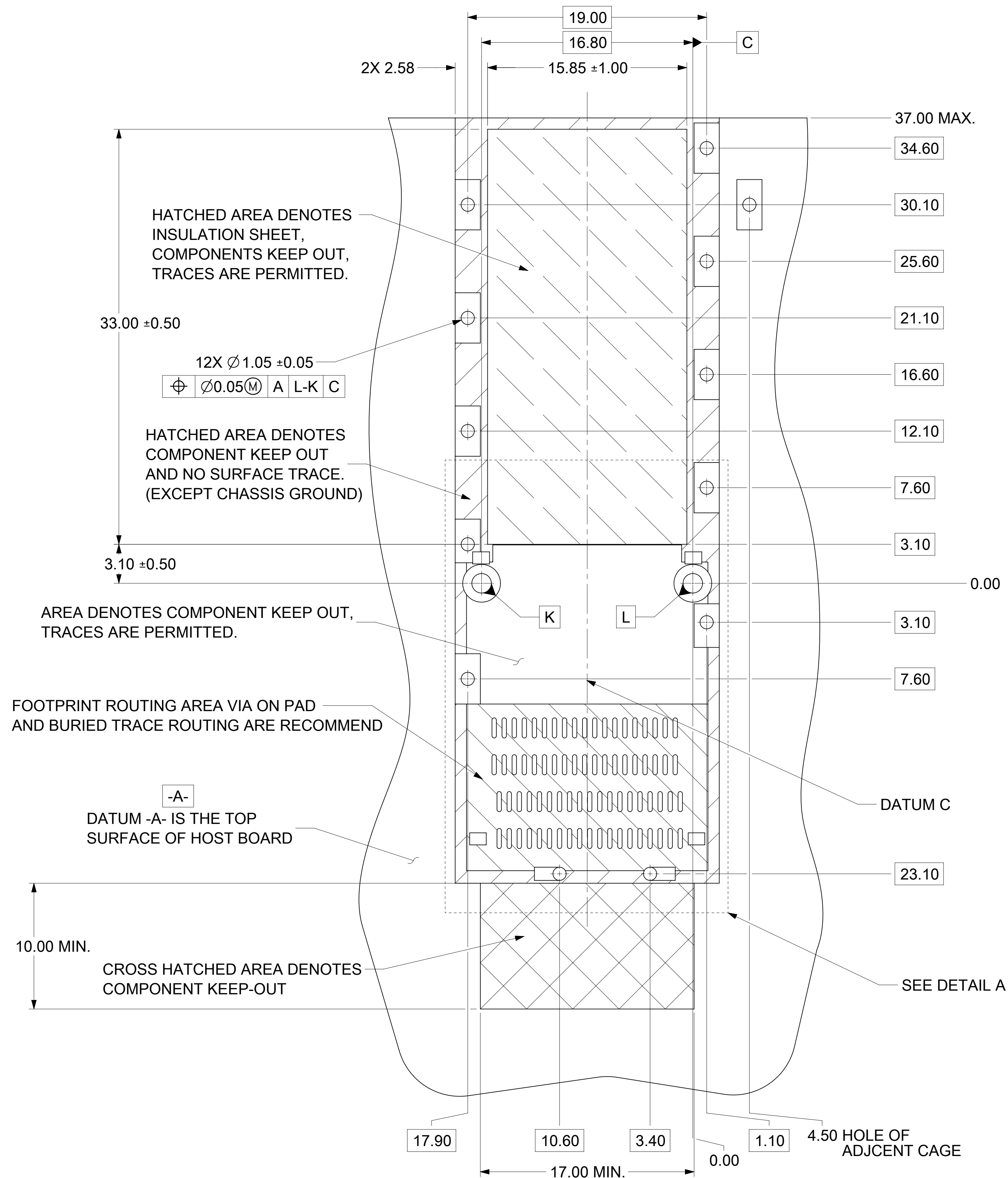
molex

QSFP-DD 1X1 CAGE ASSEMBLY, 2RL WITH CUSTOM H/S & INSULATION SHEET

PRODUCT CUSTOMER DRAWING

DOCUMENT NUMBER: 2031432009 | DOC TYPE: PSD | DOC PART: ASY | REVISION: A

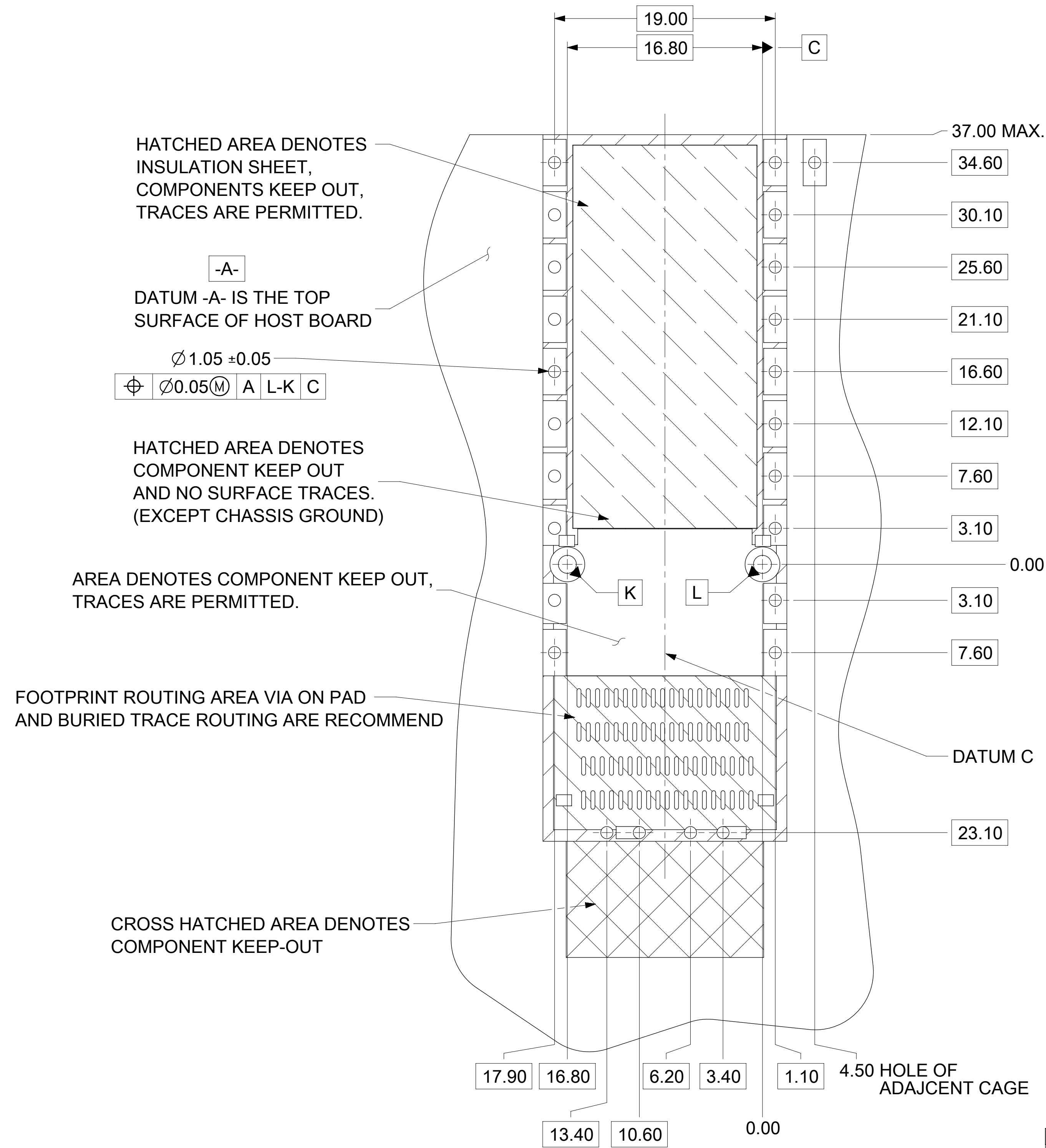
PCB LAYOUT FOR SINGLE SIDED MOUNTING



- NOTES:
- PADS AND VIAS GO TO CHASSIS GROUND. (RECOMMENDED PADS TO BE 2.00x4.00mm RECTANGLE.)
 - RECOMMENDED THRU HOLE PLATING INCLUDES HASL, OSP, OR IMMERSION (GOLD, SILVER, OR TIN).
 - CONNECTOR PAD LAYOUT PER QSFP-DD MSA WILL ACCOMMODATE MOLEX CONNECTOR SERIES 202718.

THIS DRAWING CONTAINS INFORMATION THAT IS PROPRIETARY TO MOLEX ELECTRONIC TECHNOLOGIES, LLC AND SHOULD NOT BE USED WITHOUT WRITTEN PERMISSION									
DIMENSION UNITS mm		SCALE 5:1		CURRENT REV DESC: SEE REVISION TABLE					
GENERAL TOLERANCES (UNLESS SPECIFIED)				molex QSFP-DD 1X1 CAGE ASSEMBLY, 2RL WITH CUSTOM H/S & INSULATION SHEET PRODUCT CUSTOMER DRAWING DOCUMENT NUMBER: 2031432009 DOC TYPE: PSD DOC PART: ASY REVISION: A EC NO: 637784 DRWN: JYEN01 2020/07/30 CHK'D: MCHEN104 2021/05/17 APPR: JCHIANG 2021/05/18 INITIAL REVISION: DRWN: JYEN01 2020/07/30 APPR: JCHIANG 2021/05/18 DRAFT WHERE APPLICABLE MUST REMAIN WITHIN DIMENSIONS THIRD ANGLE PROJECTION DRAWING: D-SIZE SERIES: 203143 MATERIAL NUMBER: 2031432009 CUSTOMER:					
ANGULAR TOL ± 2.0°									
4 PLACES ±									
3 PLACES ± 0.13									
2 PLACES ± 0.15									
1 PLACE ± 0.3									
0 PLACES ± 0.3									
SHEET NUMBER 2 OF 5									

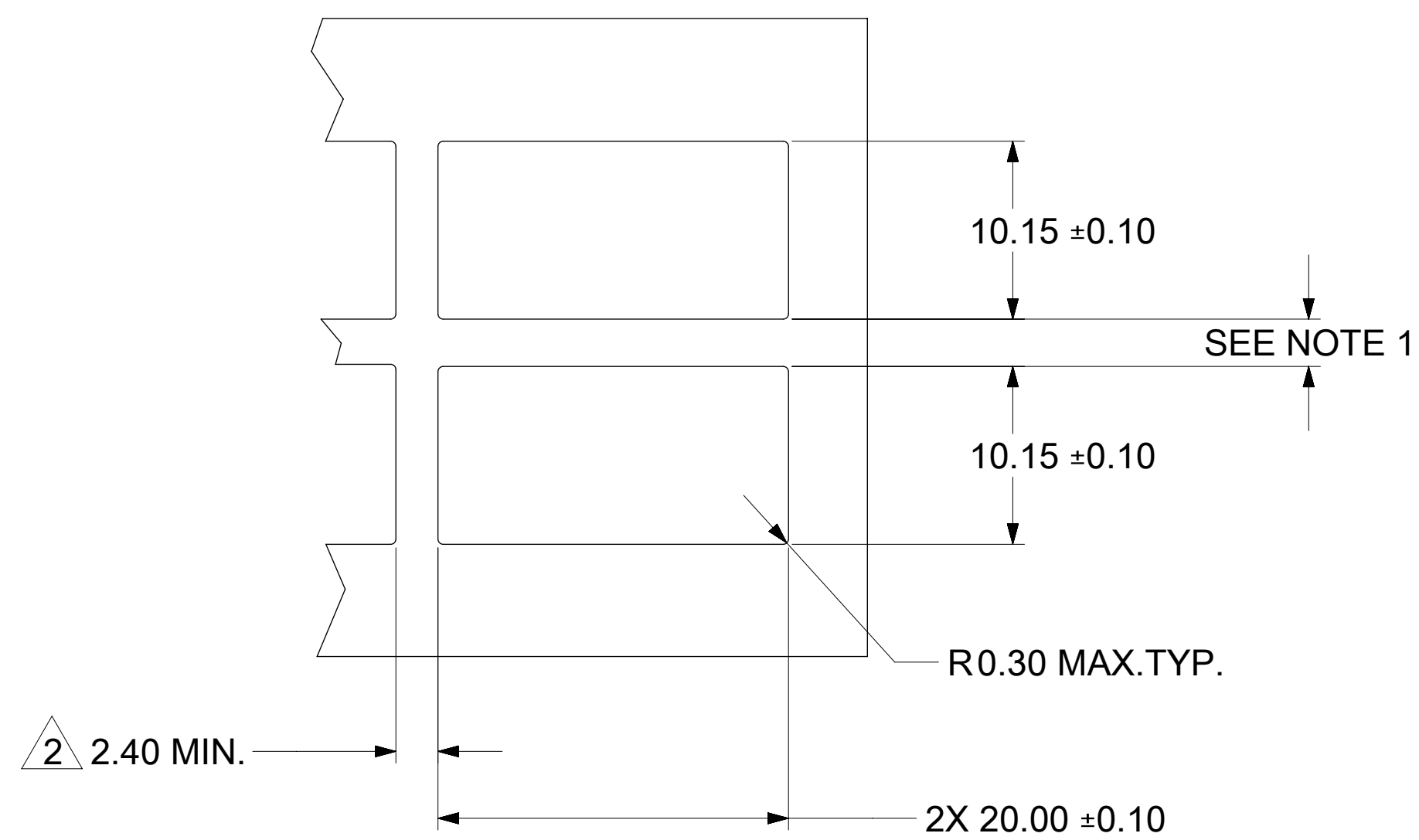
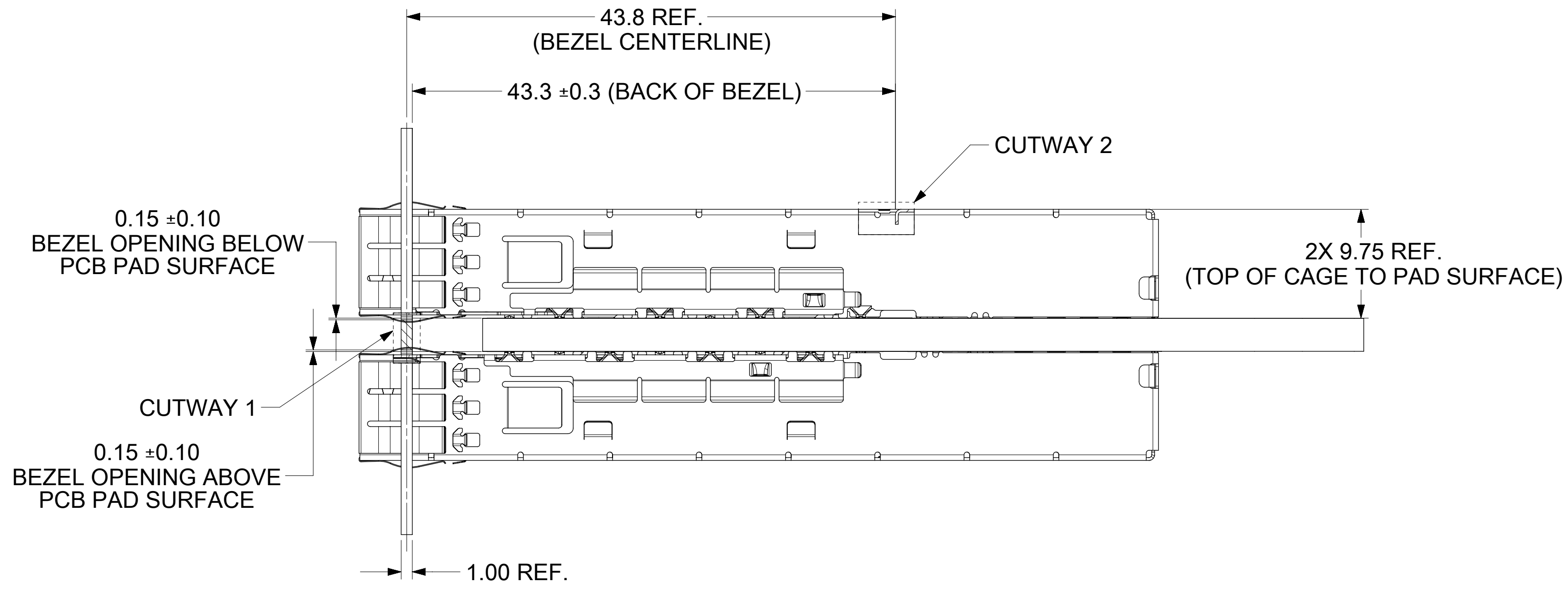
PCB LAYOUT FOR BELLY TO BELLY MOUNTING



- NOTES:
1. PADS AND VIAS GO TO CHASSIS GROUND. (RECOMMENDED PADS TO BE 2.00x4.00mm RECTANGLE.)
 2. RECOMMENDED THRU HOLE PLATING INCLUDES HASL, OSP, OR IMMERSION (GOLD, SILVER, OR TIN).
 3. CONNECTOR PAD LAYOUT PER QSFP-DD MSA WILL ACCOMMODATE MOLEX CONNECTOR SERIES 202718.

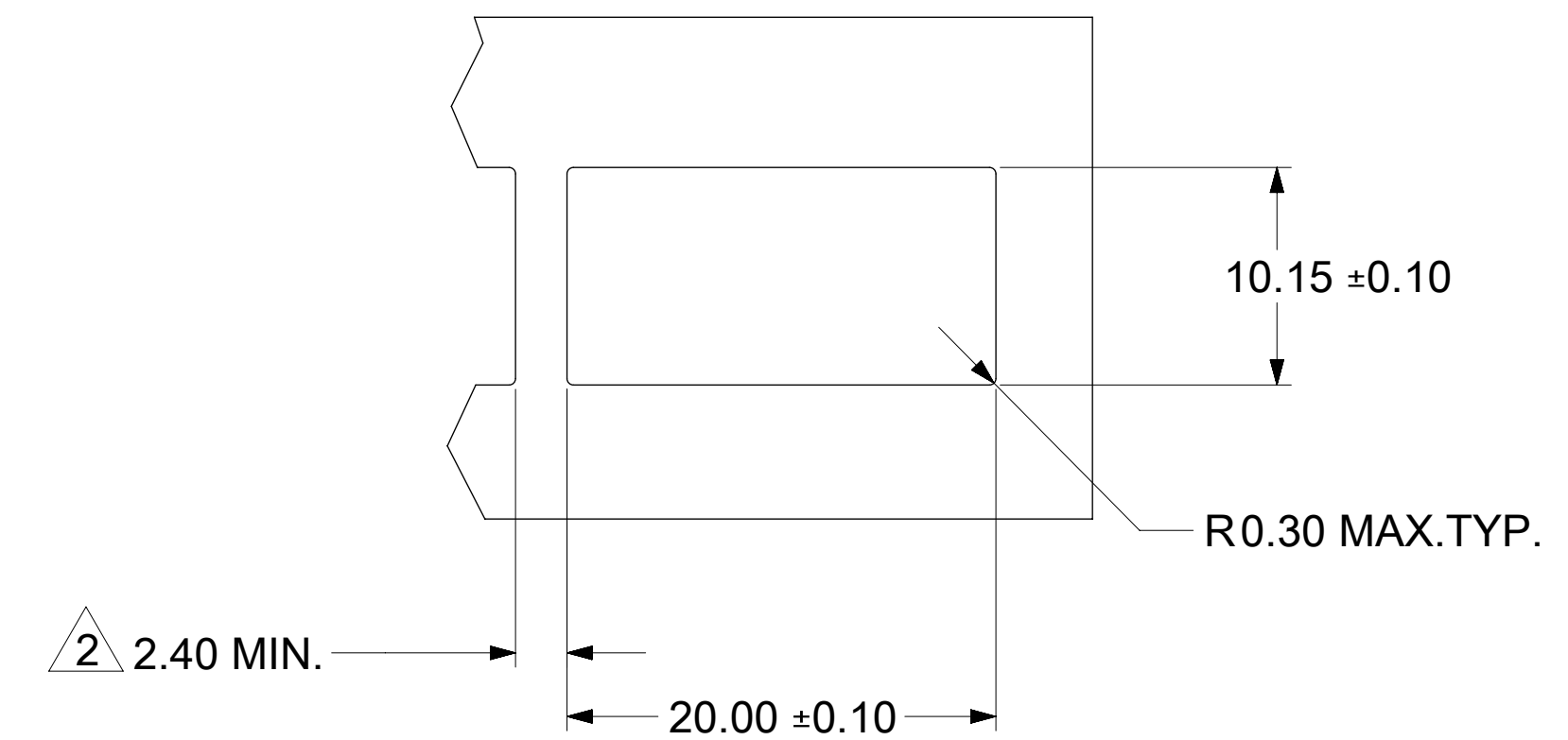
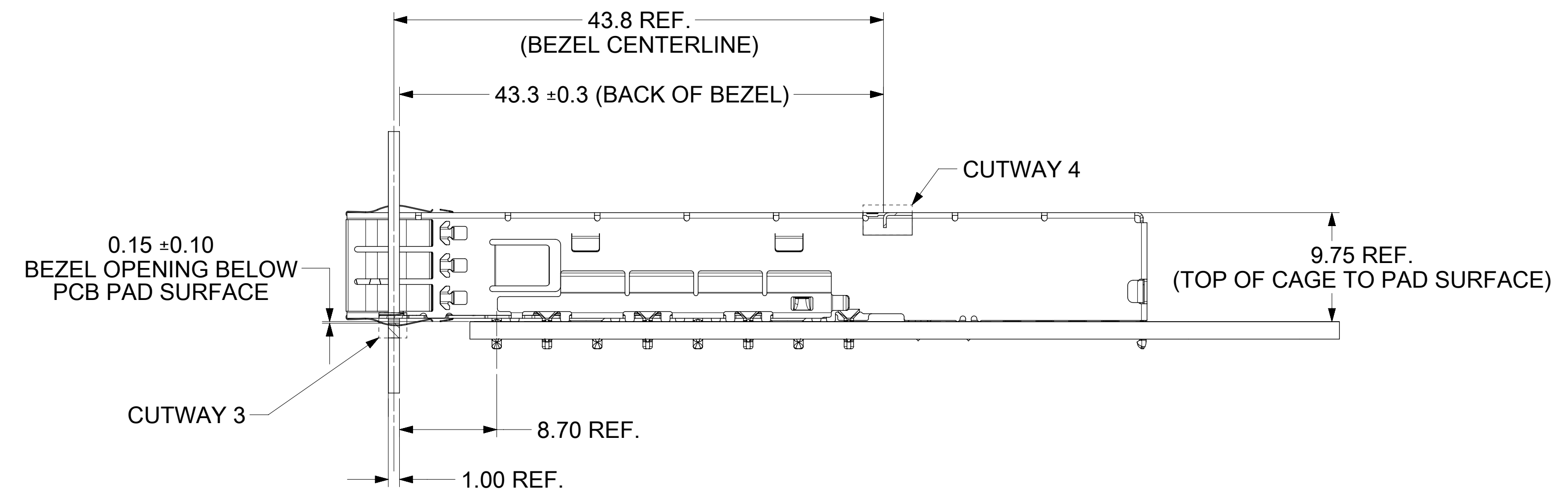
THIS DRAWING CONTAINS INFORMATION THAT IS PROPRIETARY TO MOLEX ELECTRONIC TECHNOLOGIES, LLC AND SHOULD NOT BE USED WITHOUT WRITTEN PERMISSION									
DIMENSION UNITS	SCALE	CURRENT REV DESC: SEE REVISION TABLE							
mm	4:1	<p>molex</p> <p>QSFP-DD 1X1 CAGE ASSEMBLY, 2RL WITH CUSTOM H/S & INSULATION SHEET</p> <p>PRODUCT CUSTOMER DRAWING</p>							
GENERAL TOLERANCES (UNLESS SPECIFIED)									
ANGULAR TOL	± 2.0°								
4 PLACES	±								
3 PLACES	± 0.13								
2 PLACES	± 0.15	EC NO: 637784	2020/07/30		DOCUMENT NUMBER				
1 PLACE	± 0.3	DRWN: JYEN01	2021/05/17		2031432009		DOC TYPE	DOC PART	REVISION
0 PLACES	± 0.3	APPR: JCHIANG	2021/05/18		PSD		ASY	A	
DRAFT WHERE APPLICABLE MUST REMAIN WITHIN DIMENSIONS		THIRD ANGLE PROJECTION	DRAWING	SERIES	MATERIAL NUMBER	CUSTOMER	SHEET NUMBER		
			D-SIZE	203143	2031432009	3 OF 5			

BEZEL AND BOARD POSITION DIMENSIONS
FOR BELLY TO BELLY MOUNTING
(TAKE OFF HEAT SINKS FOR CLEAR VIEW)



NOTE:
1. PCB THICKNESS VARIATION MUST BE CONSIDERED WHEN DETERMINING BEZEL OPENING LOCATION.
2. THIS DIMENSION IS FOR REFERENCE ONLY. USER CAN MODIFY IT DEPENDS ON APPLICATION.
(THIS DIMENSION VARIES BASED ON DISTANCE OF "HOLE OF ADJACENT CAGE" ON PCB LAYOUT.)

BEZEL AND BOARD POSITION DIMENSIONS
FOR SINGLE SIDE MOUNTING
(TAKE OFF HEAT SINK FOR CLEAR VIEW)



THIS DRAWING CONTAINS INFORMATION THAT IS PROPRIETARY TO MOLEX ELECTRONIC TECHNOLOGIES, LLC AND SHOULD NOT BE USED WITHOUT WRITTEN PERMISSION									
DIMENSION UNITS	SCALE	CURRENT REV DESC: SEE REVISION TABLE							
mm	3:1	<p>molex</p> <p>QSFP-DD 1X1 CAGE ASSEMBLY, 2RL WITH CUSTOM H/S & INSULATION SHEET</p> <p>PRODUCT CUSTOMER DRAWING</p> <p>DOCUMENT NUMBER: 2031432009 DOC TYPE: PSD DOC PART: ASY REVISION: A</p> <p>MATERIAL NUMBER: 2031432009 CUSTOMER: SHEET NUMBER: 4 OF 5</p>							
GENERAL TOLERANCES (UNLESS SPECIFIED)									
ANGULAR TOL	± 2.0°								
4 PLACES	±								
3 PLACES	± 0.13								
2 PLACES	± 0.15	EC NO: 637784	2020/07/30						
1 PLACE	± 0.3	DRWN: JYEN01	2021/05/17						
0 PLACES	± 0.3	CHK'D: MCHEN104	2021/05/18						
DRAFT WHERE APPLICABLE MUST REMAIN WITHIN DIMENSIONS		THIRD ANGLE PROJECTION		DRAWING		SERIES		MATERIAL NUMBER	
		D-SIZE		203143		2031432009			

REV	DATE	DESCRIPTION
A	2021/05/17	INITIAL RELEASE

THIS DRAWING CONTAINS INFORMATION THAT IS PROPRIETARY TO MOLEX ELECTRONIC TECHNOLOGIES, LLC AND SHOULD NOT BE USED WITHOUT WRITTEN PERMISSION									
DIMENSION UNITS	SCALE	CURRENT REV DESC: SEE REVISION TABLE				molex			
mm	1:1	EC NO: 637784							
GENERAL TOLERANCES (UNLESS SPECIFIED)		DRWN: JYEN01 2020/07/30				QSFP-DD 1X1 CAGE ASSEMBLY, 2RL WITH CUSTOM H/S & INSULATION SHEET			
ANGULAR TOL ± 2.0°		CHK'D: MCHEN104 2021/05/17							
4 PLACES ±	APPR: JCHIANG 2021/05/18				PRODUCT CUSTOMER DRAWING				
3 PLACES ± 0.13	INITIAL REVISION:				DOCUMENT NUMBER		DOC TYPE	DOC PART	REVISION
2 PLACES ± 0.15	DRWN: JYEN01 2020/07/30				2031432009		PSD	ASY	A
1 PLACE ± 0.3	APPR: JCHIANG 2021/05/18				MATERIAL NUMBER		CUSTOMER		SHEET NUMBER
0 PLACES ± 0.3	DRAFT WHERE APPLICABLE MUST REMAIN WITHIN DIMENSIONS		THIRD ANGLE PROJECTION	DRAWING	SERIES	2031432009	5 OF 5		
				D-SIZE	203143				

DOCUMENT STATUS	P1	RELEASE DATE	2021/05/18 02:00:45
-----------------	----	--------------	---------------------