

5

4

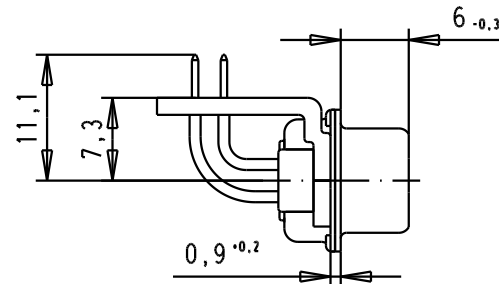
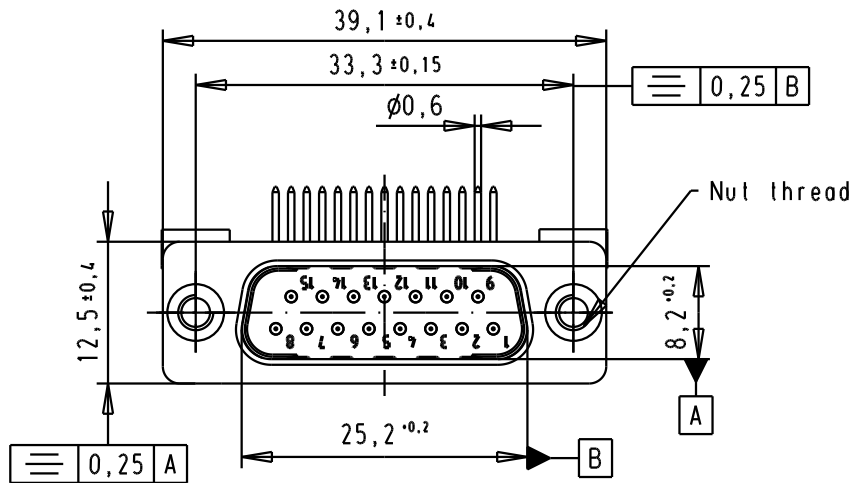
3

2

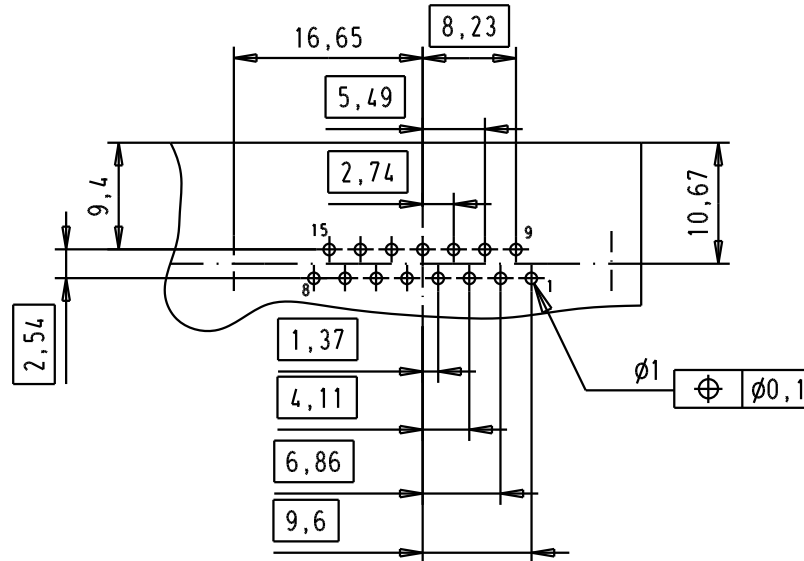
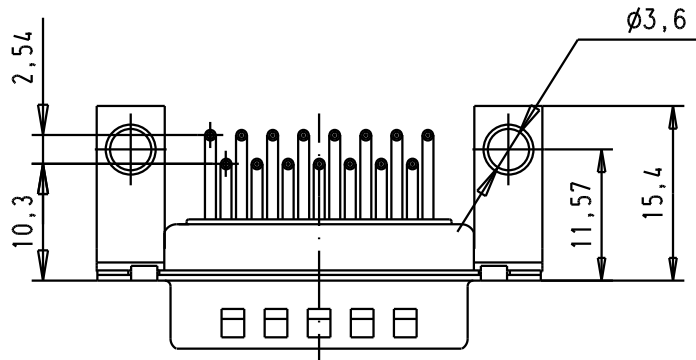
1

SPECIFICATION

Mating Cycles	500
Filter type	C
Capacitance	47pf±20%
Working Voltage	100v
Current Rating	7,5A
Insulation Resistance	>1GΩ



PCB Layout, Component side



FREQUENCY (MHz)	ATTENUATION dB
5	-
10	-
50	-
100	-
500	30dB
1000	35dB

A

						Dat.		Name		D-Sub, male, angled, 15 Poles, turned solder pins, tin plated shell with dimples, brackets and clinch nuts		Mag? Ms Lab/ Scale
						Detail.	8-JUL-02	CV		All Dim. in mm Orig. Size DIN A 4		1.5:1
						Insp.						
						Stand.						
09642247217	M3		33269	22/11/05	JMDR	HARTING EURL		F-95972 Paris		TB 0964224721x		Blatt/ Page 3 / 4
09642247216	UNC 4-40		31058	8-JUL-02	CV	HARTING						
Part number	Nut thread		Mod.	Dat.	Name					Sub.		