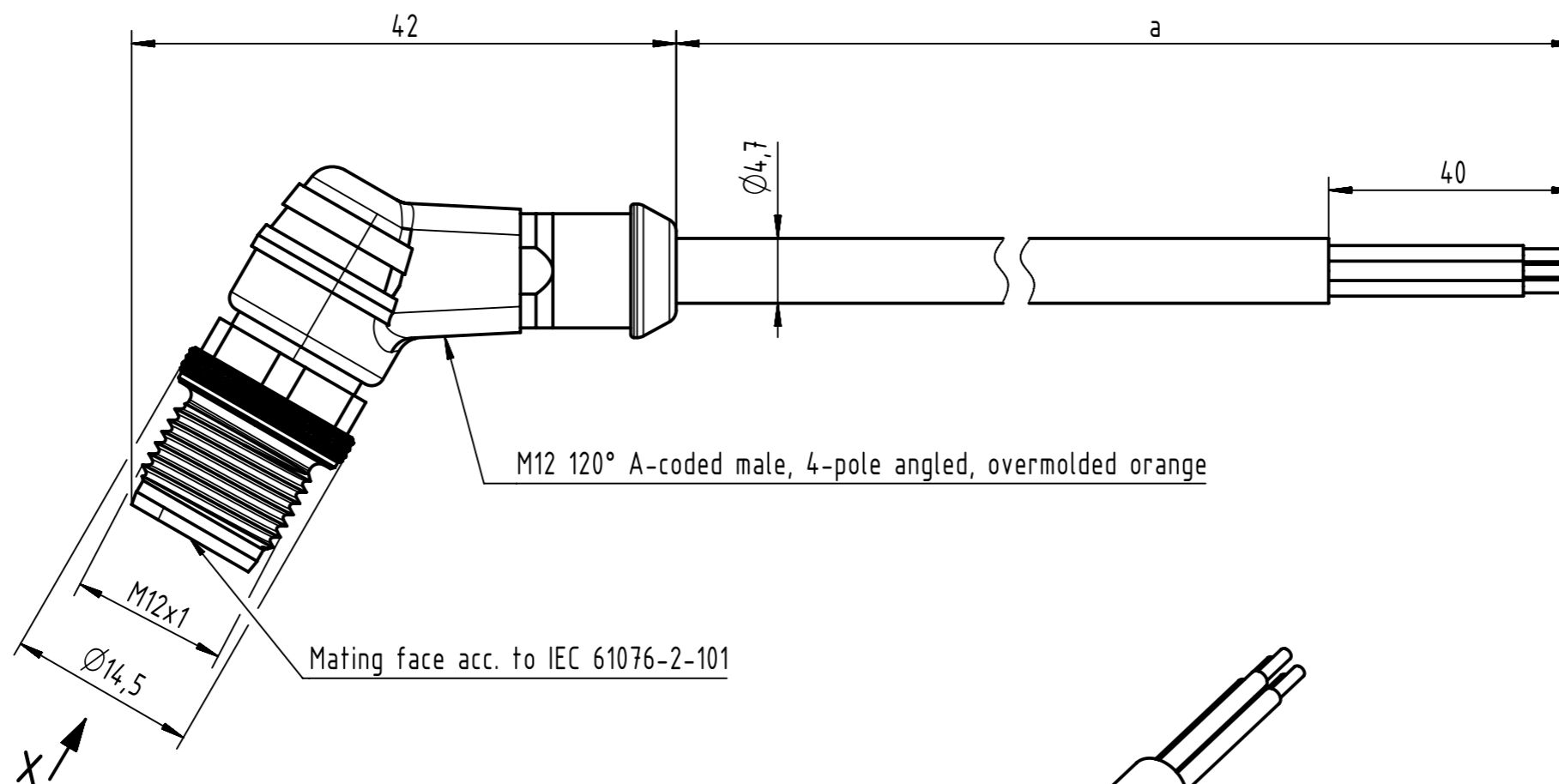


Connector Location A

Connector Location B



M12 120° A-coded male, 4-pole angled, overmolded orange

Mating face acc. to IEC 61076-2-101

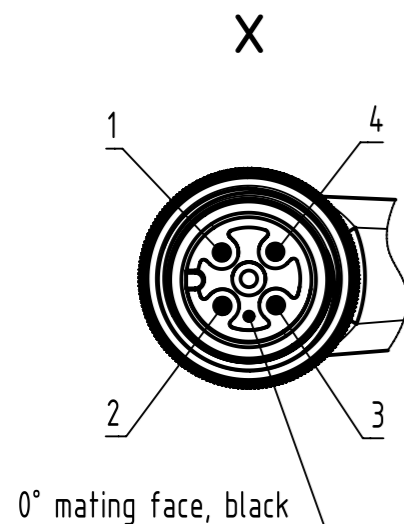
length in "1m" step	100	XXX=000
	99	XXX=990

	12	XXX=120
length in "0.1m" step	11	XXX=110
	10	XXX=100
	9.9	XXX=099
	9.8	XXX=098

	0.5	XXX=005
	0.4	XXX=004
	0.3	XXX=003
	0.2	XXX=002
Step	a [m]	XXX

6.0 to 100	±1%
0.6 to 5.9	+0.04
0.2 to 0.5	+0.02
a [m]	Tolerance

4xAWG22, PUR, black	2137B600430XXX
Type of cable	Part no.

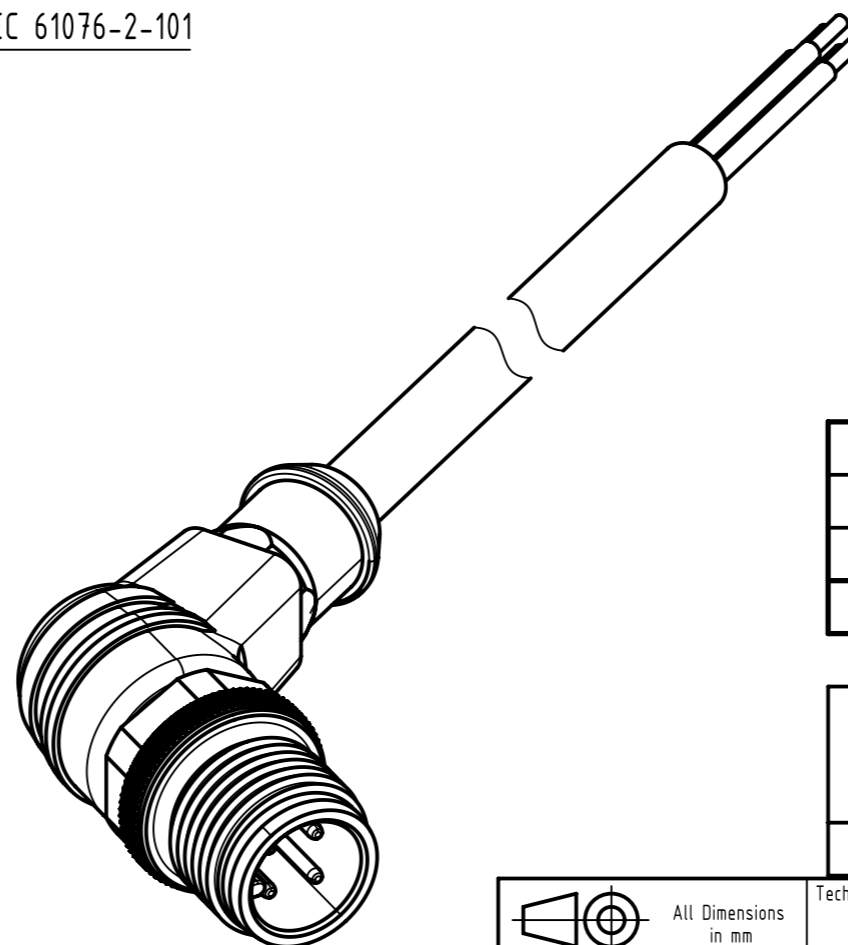


Loading-Plan:

- 1 — Brown
- 2 — White
- 3 — Blue
- 4 — Black

0° mating face, black

- Protection level: IP 65/67
- Temperature range: -25°C...+80°C



	All rights reserved		Created by MUNTEANV		Inspected by COSTEA		Standardisation POPESCUD		Date 2017-01-16		State Final Release			
	Department HCS - RO		Title M12 120° A-coded Cable Assembly		Doc-Key / ECM-Nr. 100691322/UGD/000/C 500000113693		Type TB		Number 2137B600430XXX		Rev. C Page 1/1			
HARTING Customised Solutions			D-32427 Minden			Tech. Character.			Free size tol.			According to production drawing 2017-01-12		