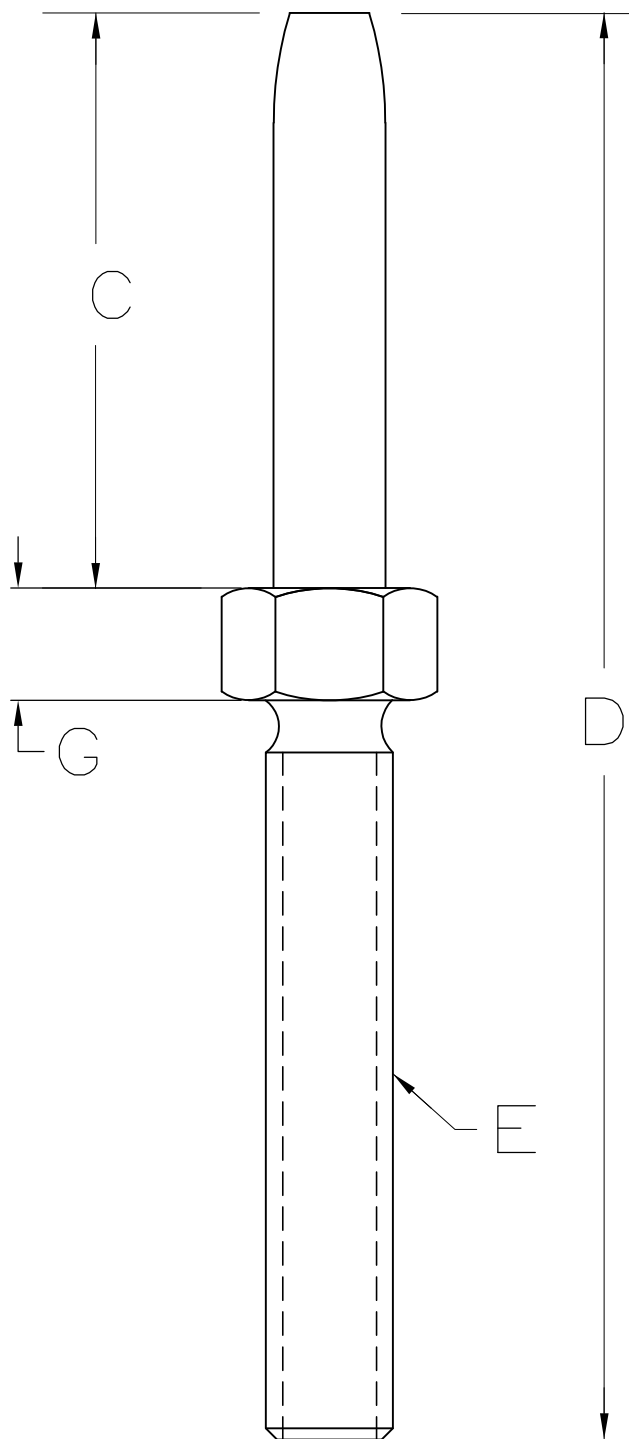
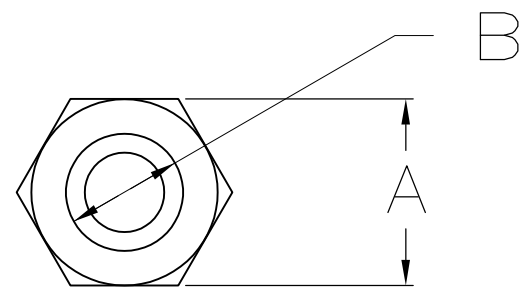
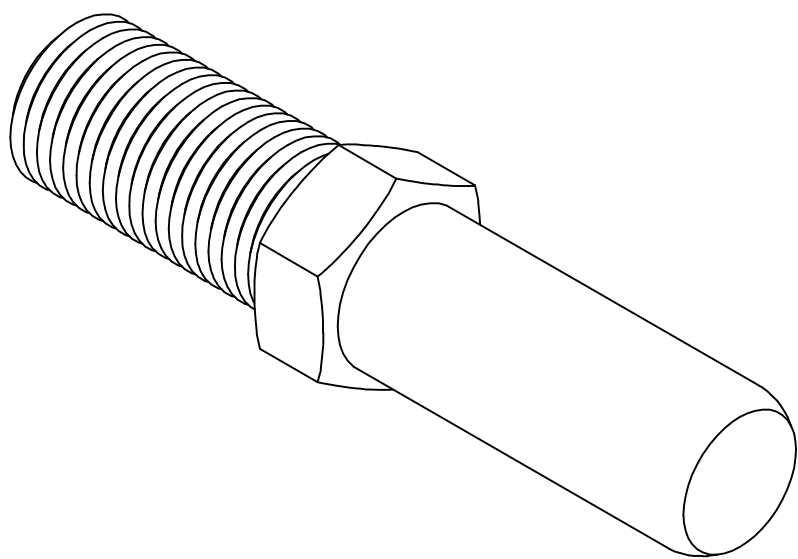


THIS DRAWING IS UNPUBLISHED. RELEASED FOR PUBLICATION .19
 © COPYRIGHT 19 BY AMP INCORPORATED. ALL INTERNATIONAL RIGHTS RESERVED.

| LOC | DIST | P | F | ZONE | LTR | DESCRIPTION | DATE | APPD |
|-----|------|---|---|------|-----|---------------------------|-----------|------|
| CH | 11 | | | | A 1 | REV'D AND REDRAWN | | |
| | | | | | B | ECN CH-0141 | | |
| | | | | | C | ECN OB20-1046-98 | | RAR |
| | | | | | D | ECN OB20-1046-98 | 14/AUG/98 | RAR |
| | | | | | E | ECN OB20-1048-98 | 14/AUG/98 | RAR |
| | | | | | EI | REVISED PER ECO-09-020935 | 08SEP09 | AEG |



NOTE:
 1 OBSOLETE PARTS: OBSOLETE CIS STREAMLINING PER D.RENAUD/D.SINISI



| OBSOLETE | SUPERCEDED TO 192293-1 | | | | | | | | | 1-192161-1 |
|-----------|------------------------|----------|------------|--------------|--------------|---------------|-------------|-------------|------------|------------|
| | NOT AVAILABLE | | | | | | | | | 1-192161-0 |
| | NOT AVAILABLE | | | | | | | | | 192161-9 |
| | NOT AVAILABLE | | | | | | | | | 192161-8 |
| | NOT AVAILABLE | | | | | | | | | 192161-7 |
| | 10264 | NICKEL | BRASS | 5/16 | 3.8 [.15] | 19.8 [.78] | 51.6 [2.03] | 1/4-28 | 6.0 [.236] | 192161-6 |
| | SUPERCEDED TO 192244-1 | | | | | | | | | 192161-5 |
| OBSOLETE | 09038 | SIL | BRASS | 5/16 | 3.8 [.15] | 19.8 [.78] | 51.6 [2.03] | M6 X 1-6g | 6.0 [.236] | 192161-4 |
| | 10962 | SIL | BRASS | 1/4 | 3.8 [.15] | 19.6 [.77] | 33.8 [1.33] | 10-32 | 4.0 [.157] | 192161-3 |
| | 09027 | SIL | BRASS | 1/4 | 3.8 [.15] | 19.6 [.77] | 48.5 [1.91] | M5 X 0.8-6g | 4.0 [.157] | 192161-2 |
| | 09174 | SIL | BRASS | 1/4 | 3.8 [.15] | 19.6 [.77] | 48.5 [1.91] | 10-32 | 4.0 [.157] | 192161-1 |
| HUGIN NO. | FINISH | MATERIAL | HEX SIZE A | HEX LENGTH G | PIN LENGTH C | TOT. LENGTH D | THREAD E | PIN DIAM B | PART NO | |

METRIC

| | | | |
|--|--------------------------------|--|-------------------|
| DO NOT SCALE PRINT. UNLESS SPECIFIED DIMENSIONS IN mm [INCHES] TOLERANCES ON : 1 PLC DEC ± 0.5 [.02] 2 PLC DEC ± 0.25 [.010] ANGLES ± - | DR D. BABOW 10-17-91 | AMP AMP Incorporated Harrisburg, PA 17105-3608 | |
| MATERIAL SEE TABLE | CHK - APPD - | NAME | |
| FINISH SEE TABLE | APPD - PRODUCT SPEC - | PIN, THREAD MOUNT | |
| | APPLICATION SPEC - WEIGHT - | SIZE C CAGE CODE 00779 | DRAWING NO 192161 |
| | | SCALE NTS | SHEET 1 OF 1 |