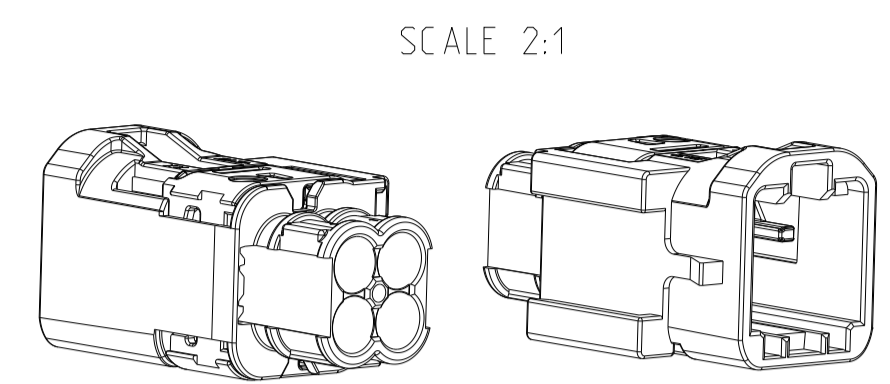
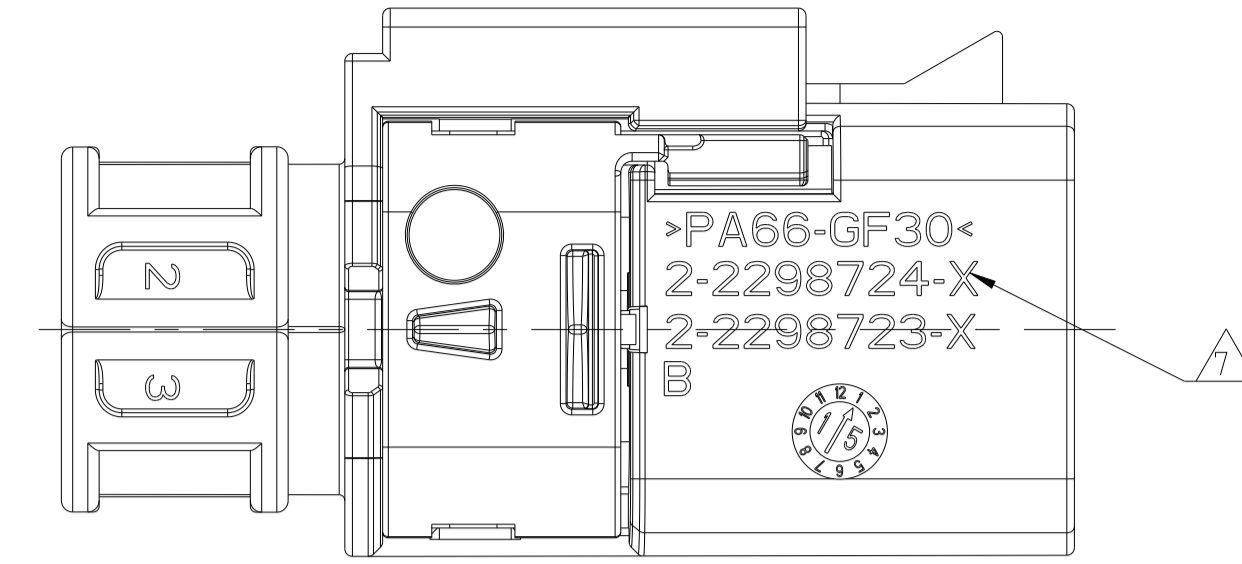
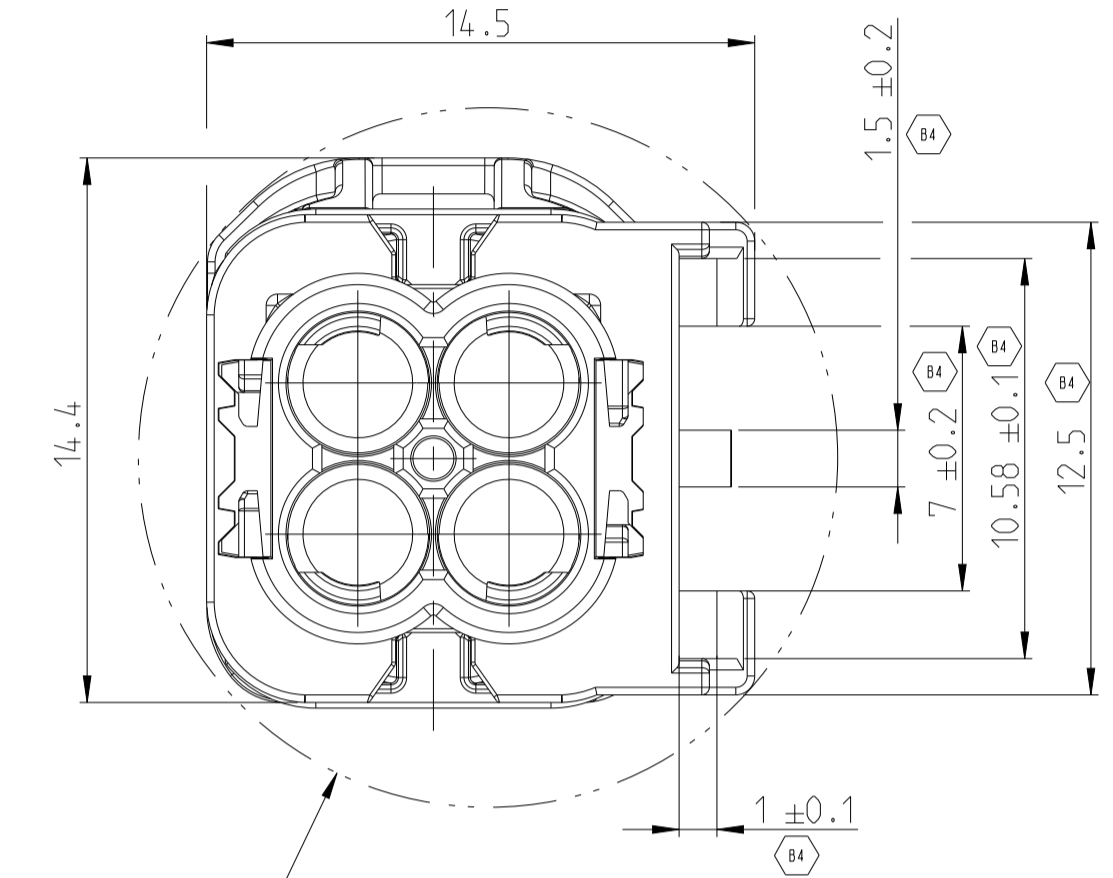
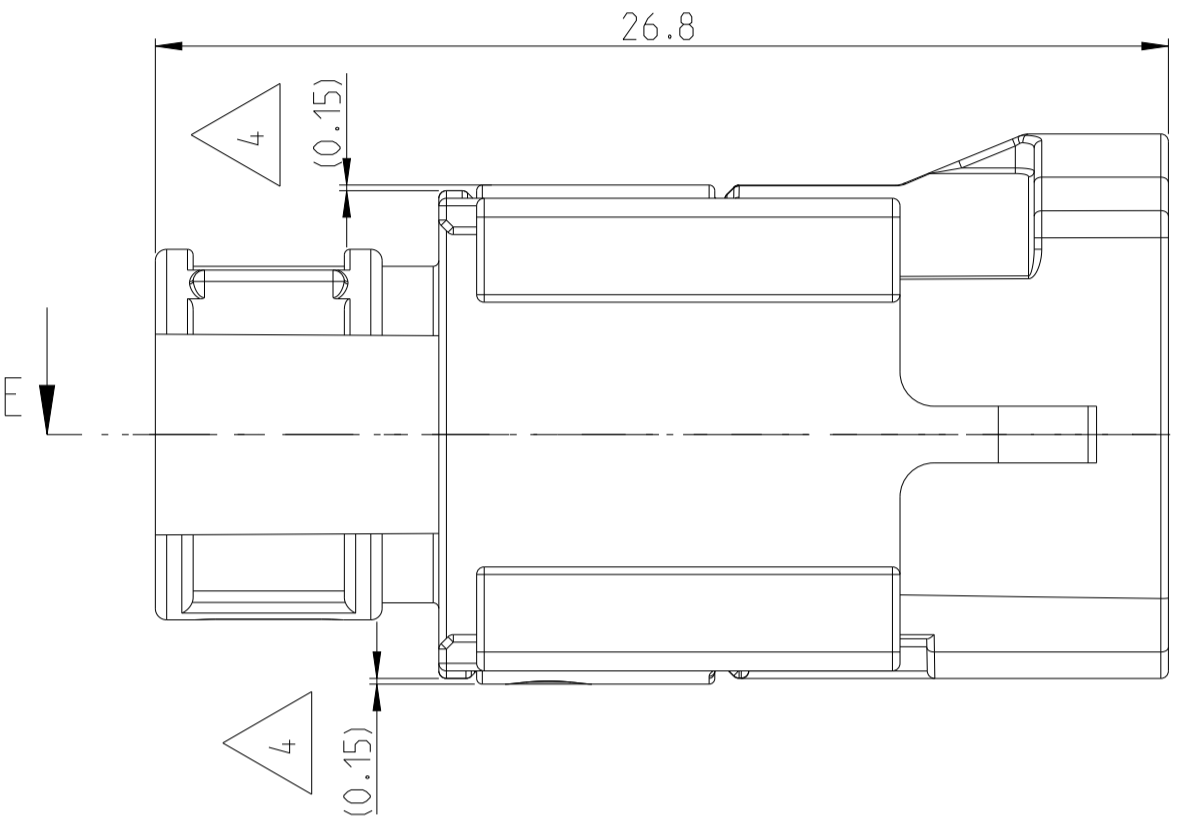
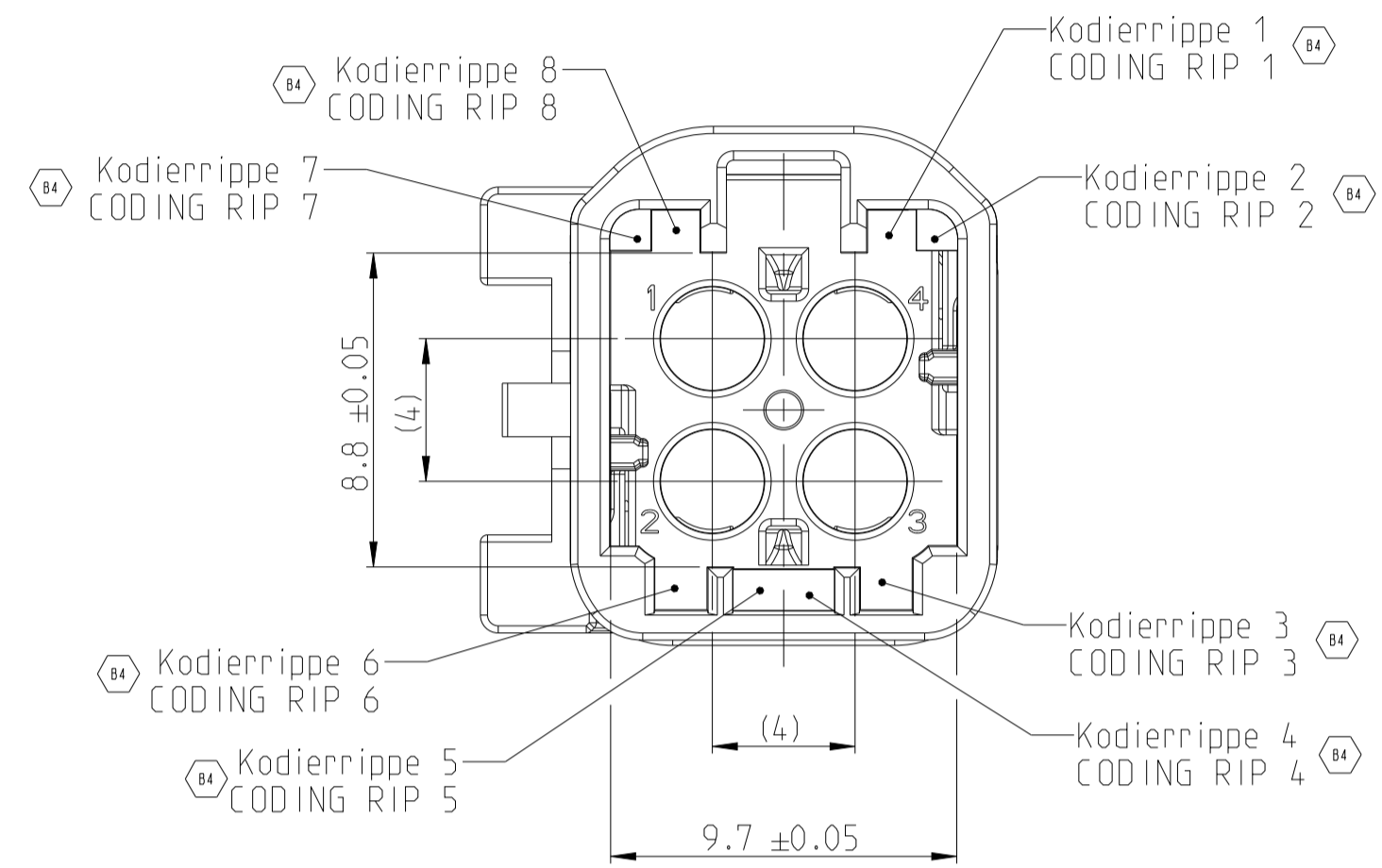


| REVISIONS | | | | | |
|-----------|-----|---|-----------|-----|------|
| P | LTN | DESCRIPTION | DATE | OWN | APVD |
| B1 | | VERSION WITH CLIPRAIL ADDED | 16OCT2019 | VJ | CS |
| B2 | | NOTE 6 CHANGED | 17MAY2019 | GB | CS |
| B3 | | see change index B3 / s. Aenderungsindex B3 | 06FEB2020 | GB | CS |
| B4 | | see change index B4 / s. Aenderungsindex B4 | 11JUL2022 | LG | CS |

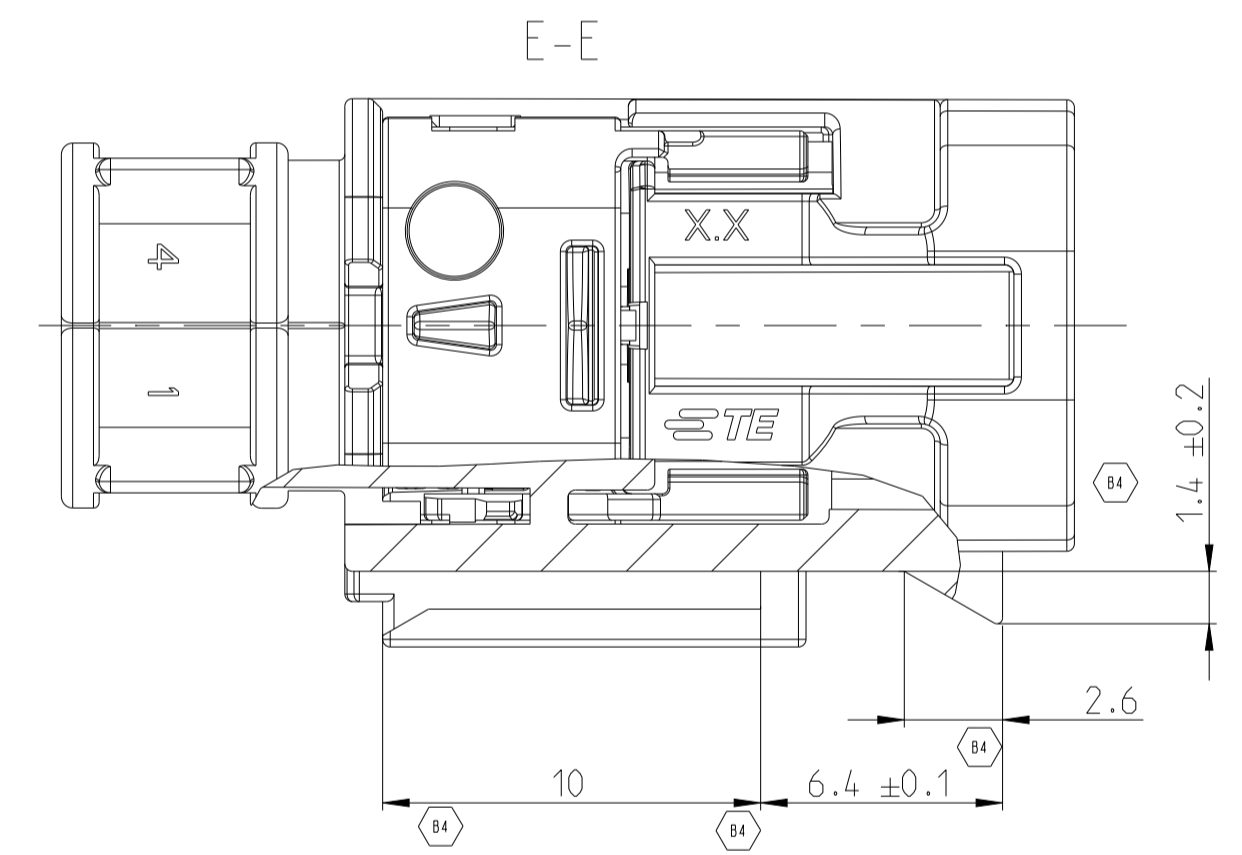
2-2298724-1 CODE D-
 - AS SHOWN-
 WITH CLIP RAIL



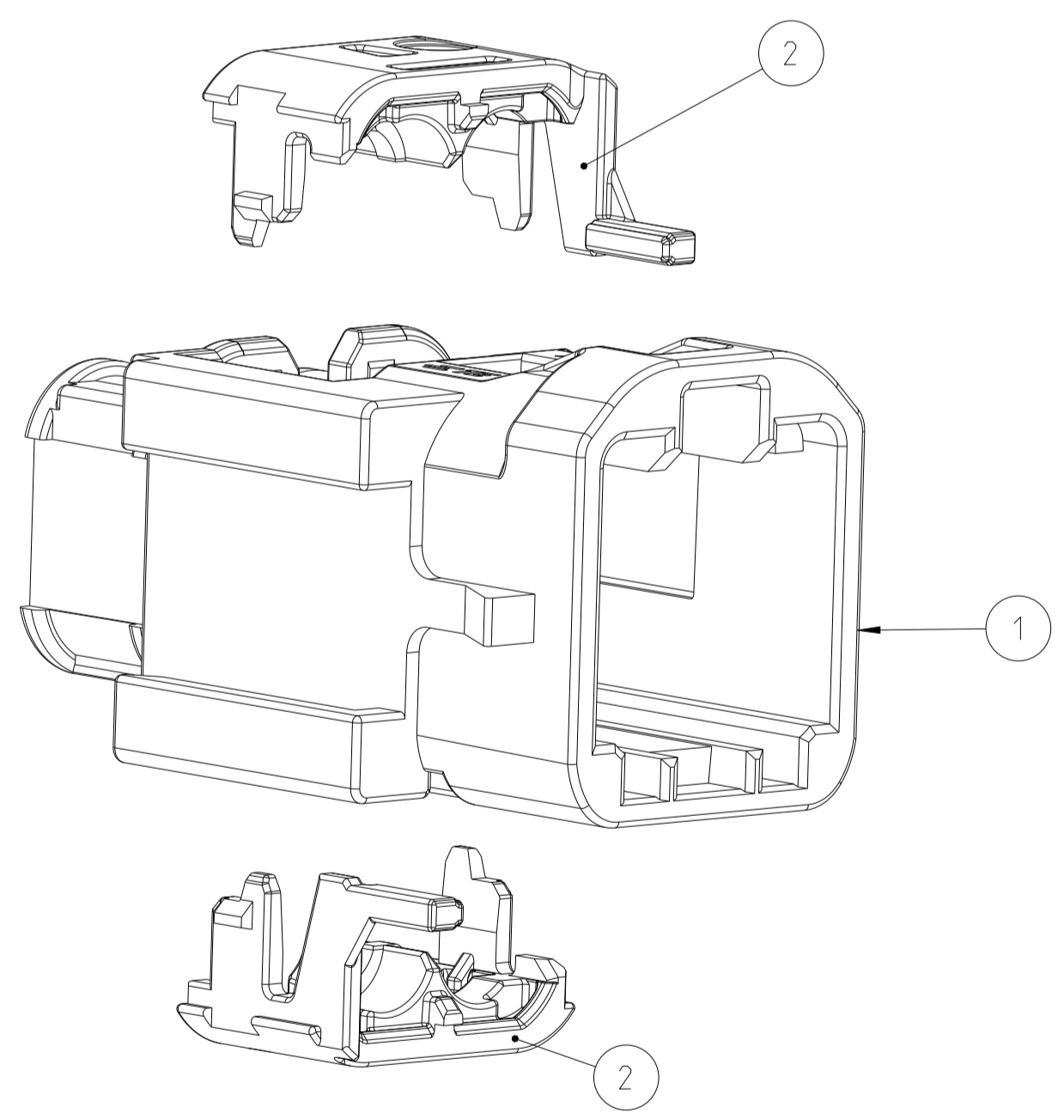
SCALE 2:1



MAX. Ø19
 RING GAGE
 Huellkreis



VIEW 3D EXPLODED
 SCALE 5:1



GENERAL NOTES

- PACKAGING: BULK IN A PLASTIC BAG IN A CARDBOARD BOX
 Verpackung: Schuettgut in Kunststoffbeutel in einem Karton
- ALL DIMENSIONS IN BRACKETS FOR INFORMATION ONLY
 Alle Masse in Klammern nur zur Information
- CODING VARIANCES SEE TABLE
 Kodierungsvarianten siehe Tabelle
- DELIVERY CONDITION: RETAINER IN PRE-LOCKING POSITION.
 IF IN ENDOCKING POSITION OR LOST AFTER TRANSPORTATION,
 REWORK BY USING OF NEW RETAINER ALLOWED IN ACCORDANCE
 TO APPLICATION SPECIFICATION.
 Anlieferzustand: Sekundaersicherung in Vorraststellung.
 Wenn nach Transport endverrastet oder herausgefallen, Nacharbeit unter
 Verwendung neuer Sekundaersicherungen erlaubt gemass Verarbeitungs-
 Spezifikation.
- SUITABLE CONTACT TE-PN 2298490 AND 2298511
 Passender Kontakt TE-PN 2298490 und 2298511
- SUITABLE MATING CONNECTOR TE-PN 2298721
 Passender Anschlussstecker TE-PN 2298721
- TE ORDER NUMBER
- CONFECTION TESTS COMBINED WITH CONTACT LEADS ARE TO BE MADE
 WITH RF-ADAPTER 1-523216-1
 Konfektionspruefungen in Verbindung mit Leitungen sind durchzufuehren
 mit HF-Testadapter 1-523216-1

3 CODINGS, PLUG SIDE
 Kodierungen, Steckseite

| SCALE 4:1 | 1 | 2 | 3 | 4 | 5 | 6 | 7 |
|--------------------------|---------|---------|---------|---------|---------|---------|---|
| CODING | A | B | C | D | E | F | Z |
| CODING RIP CONFIGURATION | 2-4-6-8 | 1-3-5-7 | 1-3-6-8 | 2-4-5-7 | 1-2-5-6 | 3-4-7-8 | - |

| TE-ORDER NO | COD | REV. | QTY. | DESCRIPTION | MATERIAL | COLOUR / SIMILAR RAL | WEIGHT (g) | POS. |
|-------------|-----|------|------|-------------|-----------|-----------------------|------------|------|
| 2-2298724-9 | Z | B | 2 | RETAINER | PA66-GF30 | TRAFFIC PURPLE / 4006 | 2.06 | 2 |
| | | | 1 | HOUSING | PA66-GF30 | WATER BLUE / 5021 | | |
| 2-2298724-6 | F | B | 2 | RETAINER | PA66-GF30 | TRAFFIC PURPLE / 4006 | 2.12 | 2 |
| | | | 1 | HOUSING | PA66-GF30 | NUT BROWN / 8011 | | |
| 2-2298724-5 | E | B | 2 | RETAINER | PA66-GF30 | TRAFFIC PURPLE / 4006 | 2.12 | 2 |
| | | | 1 | HOUSING | PA66-GF30 | MAY GREEN / 6017 | | |
| 2-2298724-4 | D | B | 2 | RETAINER | PA66-GF30 | TRAFFIC PURPLE / 4006 | 2.12 | 2 |
| | | | 1 | HOUSING | PA66-GF30 | CLARET VIOLET / 4004 | | |
| 2-2298724-3 | C | B | 2 | RETAINER | PA66-GF30 | TRAFFIC PURPLE / 4006 | 2.12 | 2 |
| | | | 1 | HOUSING | PA66-GF30 | LIGHT BLUE / 5012 | | |
| 2-2298724-2 | B | B | 2 | RETAINER | PA66-GF30 | TRAFFIC PURPLE / 4006 | 2.12 | 2 |
| | | | 1 | HOUSING | PA66-GF30 | PURE WHITE / 9010 | | |
| 2-2298724-1 | A | B | 2 | RETAINER | PA66-GF30 | TRAFFIC PURPLE / 4006 | 2.12 | 2 |
| | | | 1 | HOUSING | PA66-GF30 | JET BLACK / 9005 | | |

THIS DRAWING IS A CONTROLLED DOCUMENT. OWN: K. Weinberger 11Jan2017, CHK: G. van de Burgt 11Jan2017, APVD: C. Schrettlinger 11JAN2017

DIMENSIONS: mm, TOLERANCES UNLESS OTHERWISE SPECIFIED: 0 PLC ±0.3, 1 PLC ±0.3, 2 PLC ±0.3, 3 PLC ±0.3, 4 PLC ±0.3, ANGLES FINISH: #1*

MATERIAL: -, FINISH: -

WEIGHT: -

CUSTOMER DRAWING

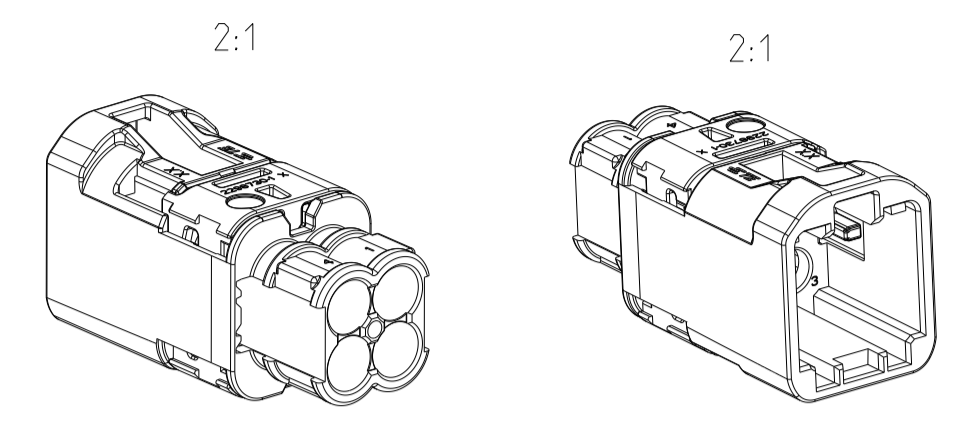
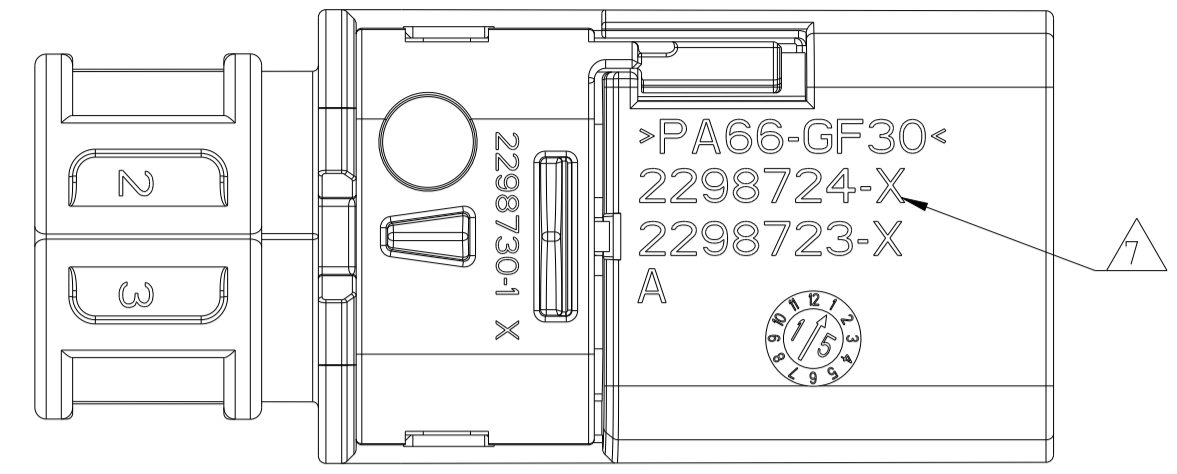
NAME: 4POS. MATEAX PIN HSG., UNSEALED, ASSY
 4pol. MATEAX Stiftgeh., ungedichtet, Assy

SIZE: A1, CAGE CODE: -, DRAWING NO: C=2298724, RESTRICTED TO: -

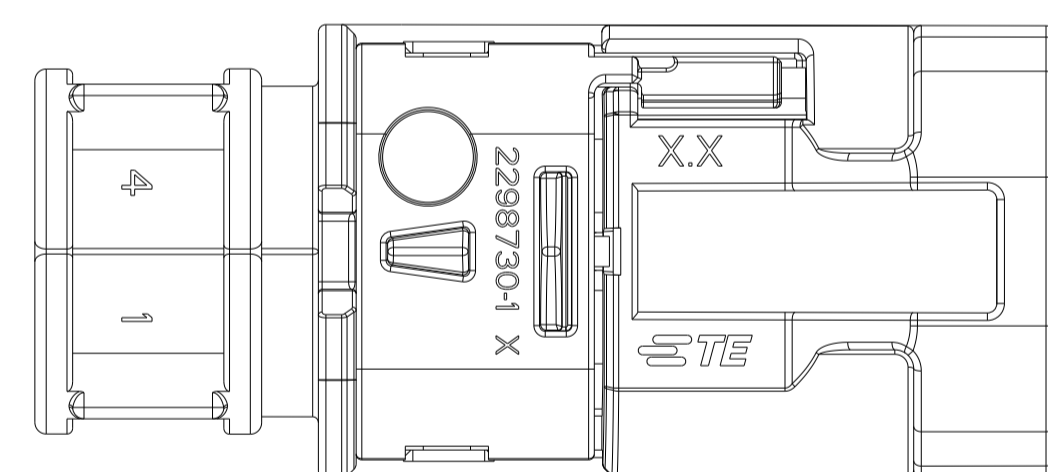
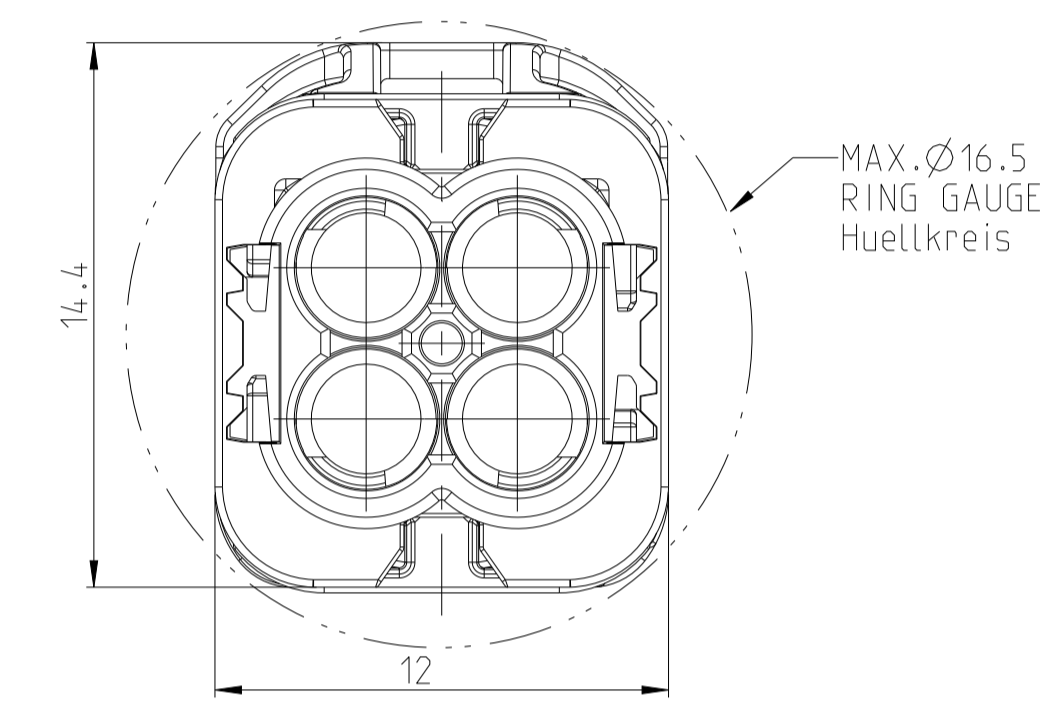
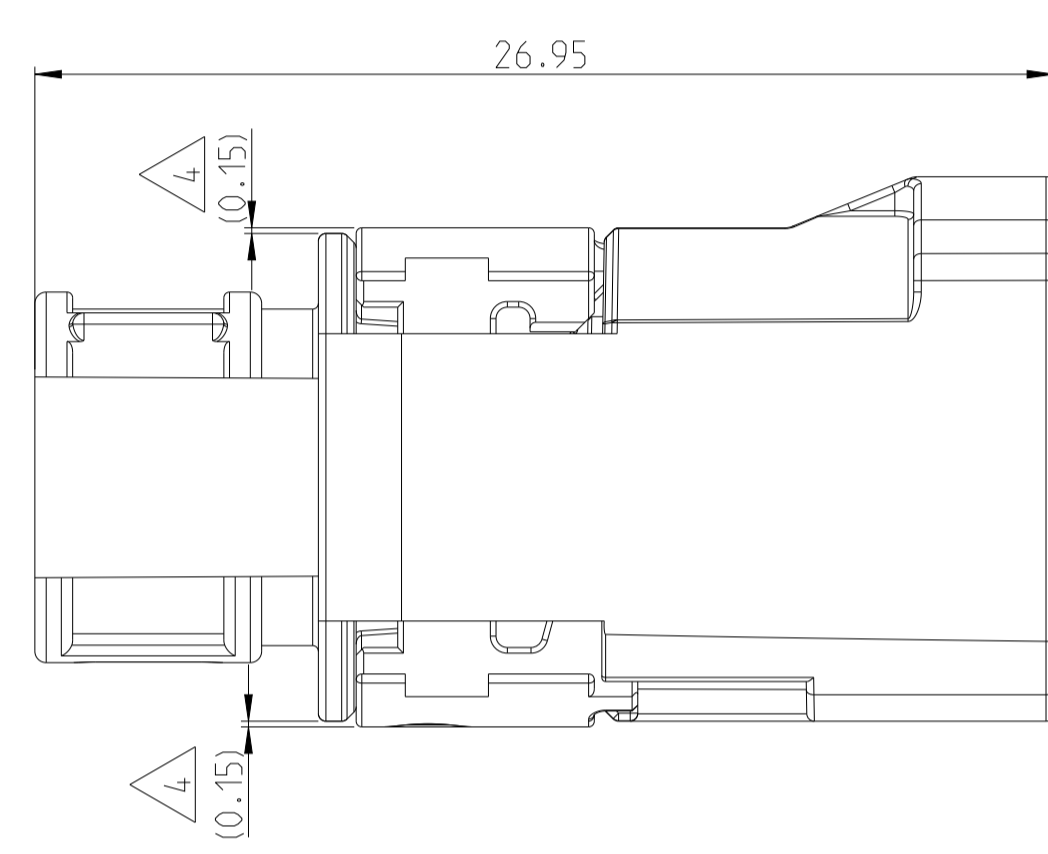
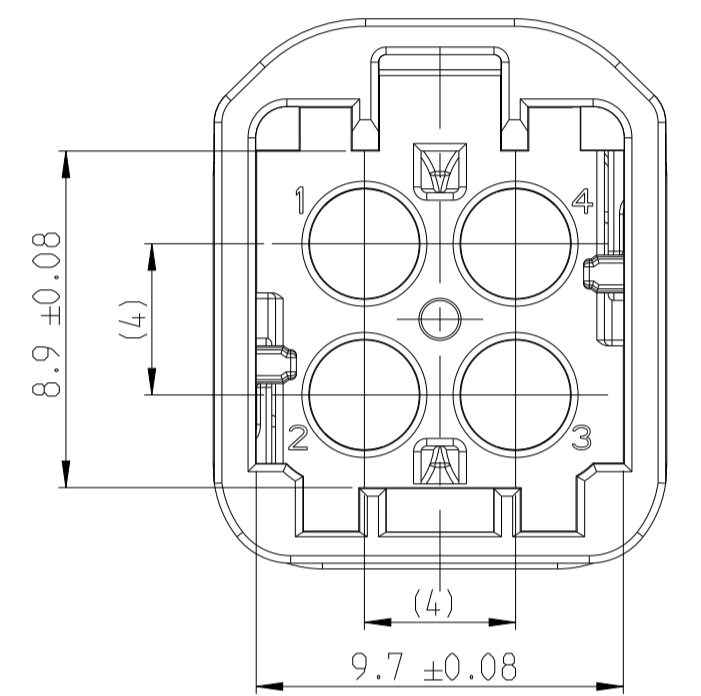
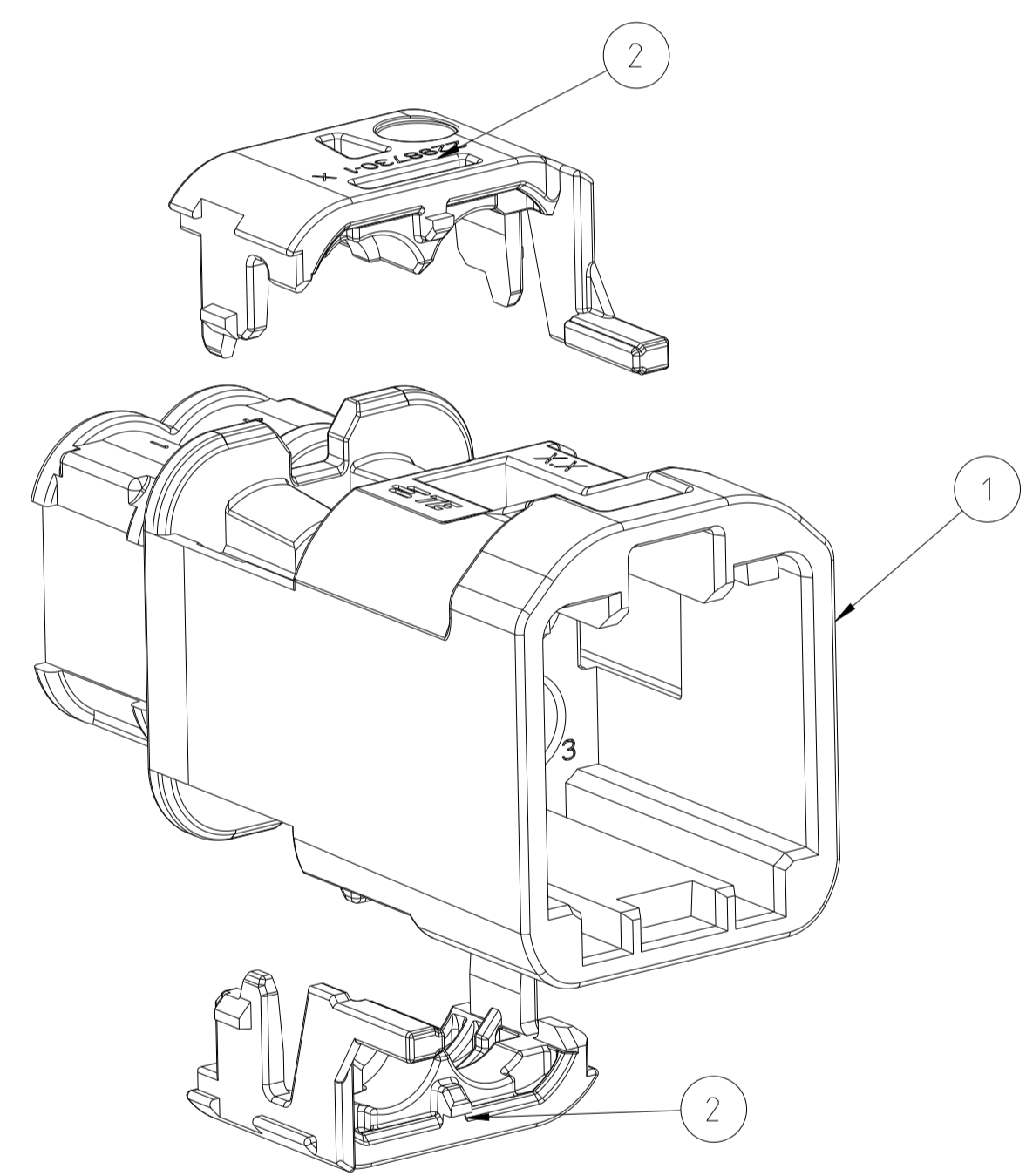
SCALE: 5:1, SHEET: 1 OF 2, REV: B4

| REVISIONS | | | | |
|-----------|-----|-------------|------|------|
| P. | LTN | DESCRIPTION | DATE | APPD |
| | | SEE SHEET 1 | | |

2298724-1 CODE D-
 - AS SHOWN-
 WITHOUT CLIP RAIL

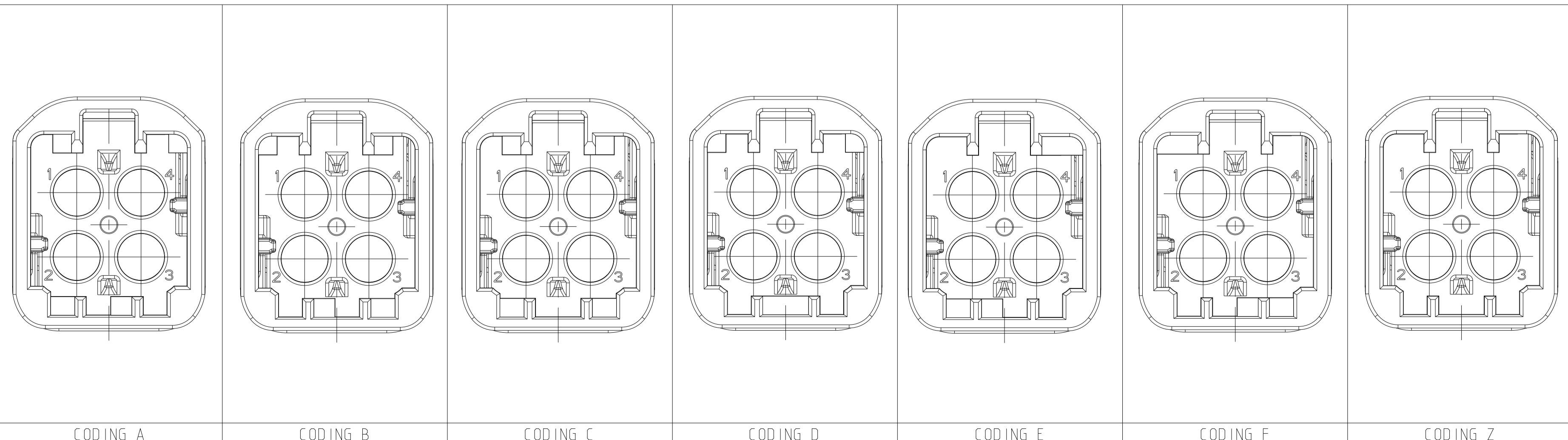


VIEW 3D EXPLODED
 SCALE: 5:1



2298724-X SUPERSEDED BY 2-2298724-X

3 CODINGS, PLUG SIDE
 Kodierungen, Steckseite



| SUPERCEDED BY | 2-2298724-X - VERSION WITH CLIPRAIL SEE PAGE 1 | TE-ORDER NO | TE-ORDER NO | COD | REV. | QTY. | DESCRIPTION | MATERIAL | COLOUR / SIMILAR RAL | WEIGHT [g] | POS. |
|---------------|--|-------------|-------------|-----|------|------|-------------|-----------|-----------------------|------------|------|
| 2-2298724-9 | 2298724-9 | Z | A | 2 | 1 | 1 | RETAINER | PA66-GF30 | TRAFFIC PURPLE / 4006 | 1.88 | 2 |
| | | | | | | | HOUSING | PA66-GF30 | WATER BLUE / 5021 | 1 | 1 |
| 2-2298724-6 | 2298724-6 | F | A | 2 | 1 | 1 | RETAINER | PA66-GF30 | TRAFFIC PURPLE / 4006 | 1.88 | 2 |
| | | | | | | | HOUSING | PA66-GF30 | NUT BROWN / 8011 | 1 | 1 |
| 2-2298724-5 | 2298724-5 | E | A | 2 | 1 | 1 | RETAINER | PA66-GF30 | TRAFFIC PURPLE / 4006 | 1.88 | 2 |
| | | | | | | | HOUSING | PA66-GF30 | MAY GREEN / 6017 | 1 | 1 |
| 2-2298724-4 | 2298724-4 | D | A | 2 | 1 | 1 | RETAINER | PA66-GF30 | TRAFFIC PURPLE / 4006 | 1.88 | 2 |
| | | | | | | | HOUSING | PA66-GF30 | CLARET VIOLET / 4004 | 1 | 1 |
| 2-2298724-3 | 2298724-3 | C | A | 2 | 1 | 1 | RETAINER | PA66-GF30 | TRAFFIC PURPLE / 4006 | 1.88 | 2 |
| | | | | | | | HOUSING | PA66-GF30 | LIGHT BLUE / 5012 | 1 | 1 |
| 2-2298724-2 | 2298724-2 | B | A | 2 | 1 | 1 | RETAINER | PA66-GF30 | TRAFFIC PURPLE / 4006 | 1.88 | 2 |
| | | | | | | | HOUSING | PA66-GF30 | PURE WHITE / 9010 | 1 | 1 |
| 2-2298724-1 | 2298724-1 | A | A | 2 | 1 | 1 | RETAINER | PA66-GF30 | TRAFFIC PURPLE / 4006 | 1.88 | 2 |
| | | | | | | | HOUSING | PA66-GF30 | JET BLACK / 9005 | 1 | 1 |

THIS DRAWING IS A CONTROLLED DOCUMENT.

DIMENSIONS: mm

TOLERANCES UNLESS OTHERWISE SPECIFIED:

| | |
|--------|------|
| 0 PLC | ±0.3 |
| 1 PLC | ±0.3 |
| 2 PLC | ±0.3 |
| 3 PLC | ±0.3 |
| 4 PLC | ±0.3 |
| ANGLES | ±1° |

MATERIAL: - FINISH: -

APPROVED: K. Weinberger (11Jan2017), G. van de Burgt (11Jan2017), F. Schrettlinger (11JAN2017)

NAME: 4POS. MATEAX PIN HSG., UNSEALED, ASSY
 4pol. MATEAX Stiftgeh., ungedichtet, Assy

APPLICATION SPEC: -

WEIGHT: -

CUSTOMER DRAWING: -

SIZE: A1 CAGE CODE: - DRAWING NO: 116-94468

RESTRICTED TO: -

SCALE: 5:1 SHEET: 2 OF 2 REV: B4

TE Connectivity