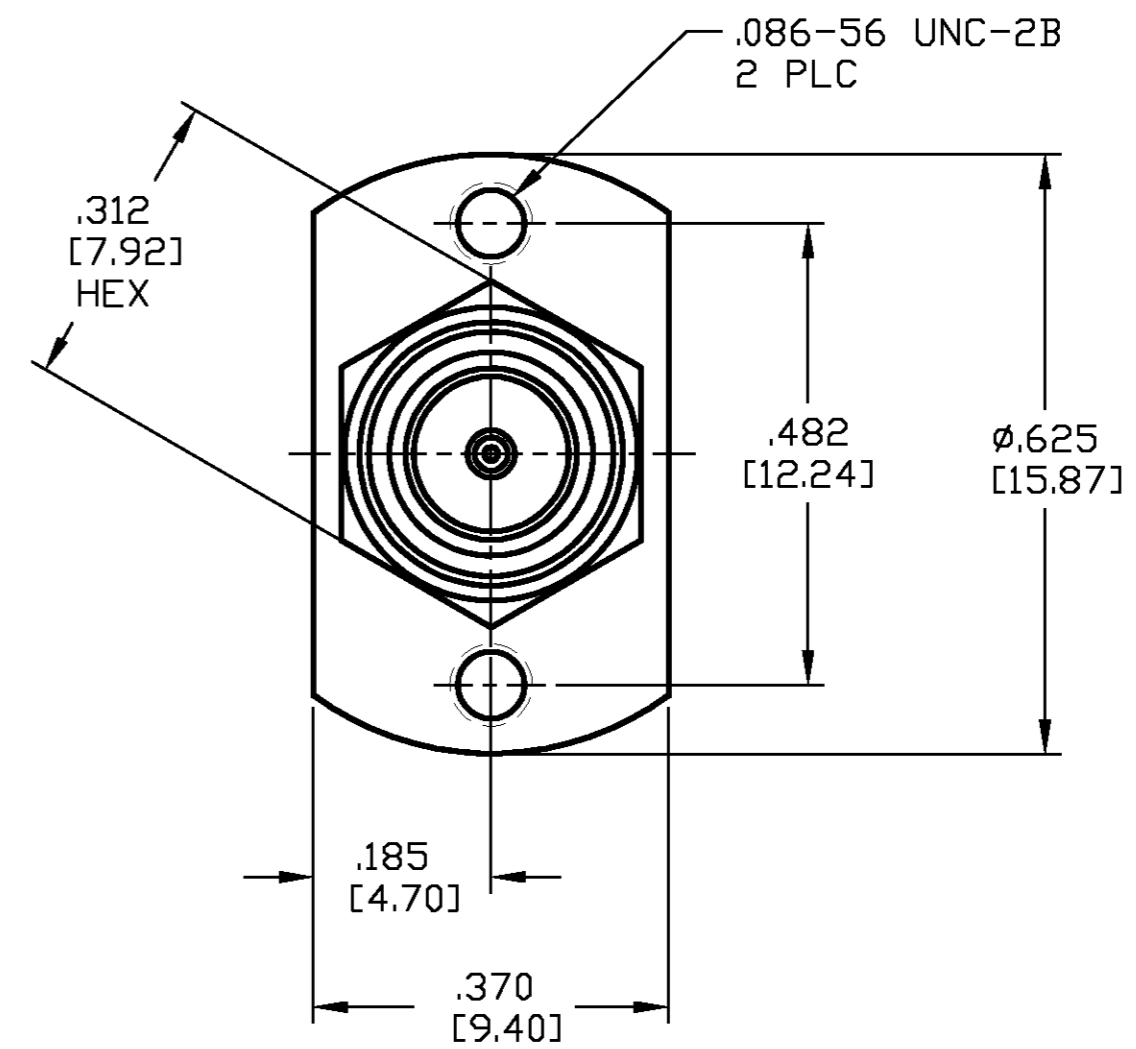
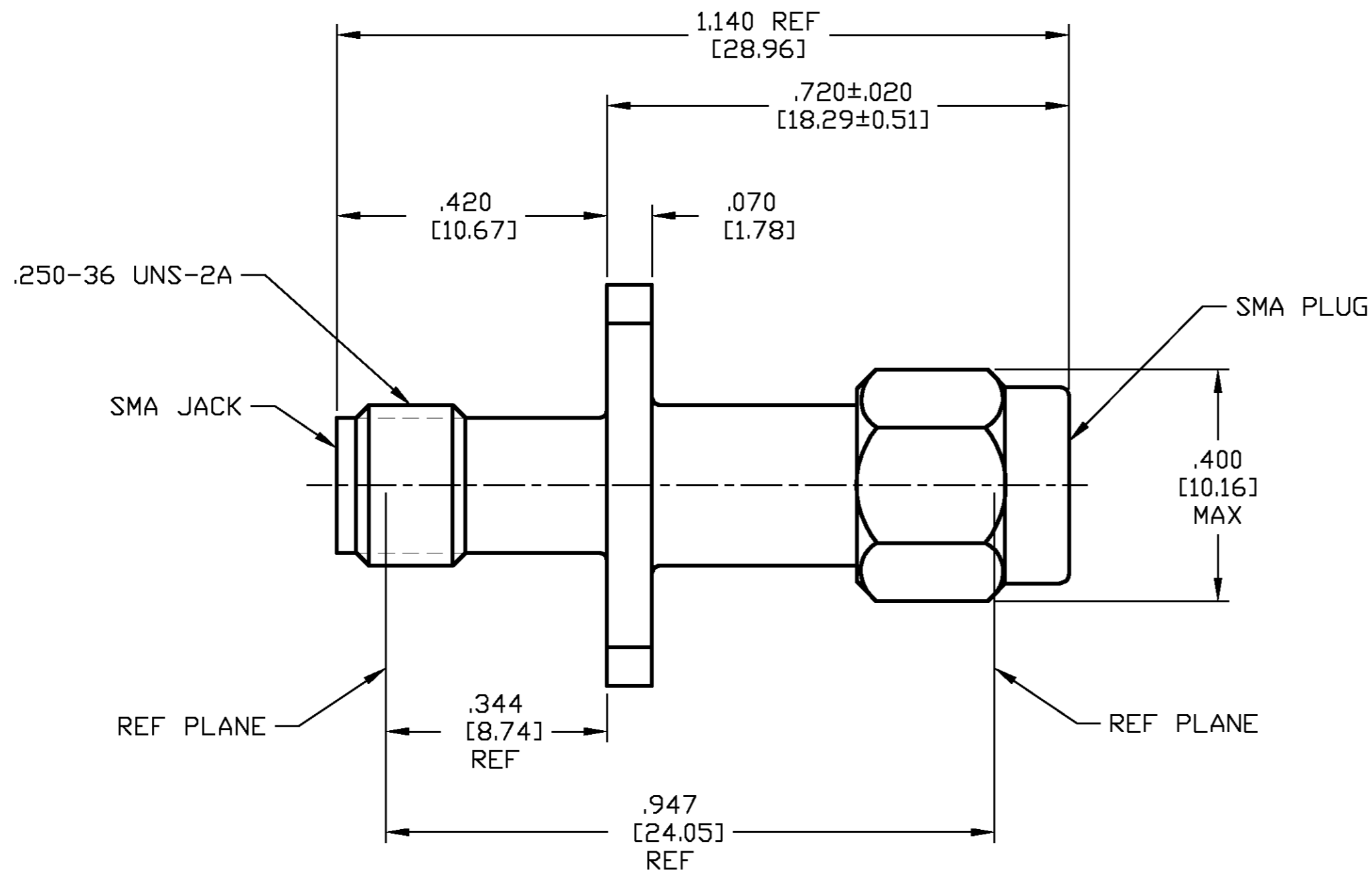


THIS DRAWING IS UNPUBLISHED. RELEASED FOR PUBLICATION  
 © COPYRIGHT BY TYCO ELECTRONICS CORPORATION. ALL RIGHTS RESERVED.

| LOC | DIST | REVISIONS |     |             |       |     |      |
|-----|------|-----------|-----|-------------|-------|-----|------|
| DF  | X0   | P         | LTR | DESCRIPTION | DATE  | DWN | APVD |
|     |      | 0         |     | RELEASED    | 10-02 | CT  | FB   |

| COMPONENT            | MATERIAL   | FINISH   |
|----------------------|--|--|
| COUPLING NUT HOUSING | STAINLESS STEEL PER ASTM-A-484 OR ASTM-A-582 TYPE 303            | PASSIVATED PER ASTM-A-380                              |
| DIELECTRIC           | PTFE FLUORCARBON PER ASTM-D-1457                                 | -  |
| CENTER CONTACT       | BERYLLIUM COPPER PER ASTM-B-196 OR 197 ALLOY C17300, CONDITION H | GOLD PLATED PER ASTM-B-488 OVER COPPER PER MIL-C-14550 |
| RETAINING RING       | BERYLLIUM COPPER PER ASTM-B-196                                  | -  |
| GASKET               | SILICONE RUBBER PER ZZ-R-765                                     | -  |



1484490-1  
PART NO.

|  |   |                              |  |   |
|--|---|------------------------------|--|---|
| THIS DRAWING IS A CONTROLLED DOCUMENT. |   | DWN<br>C.C.THOMAS<br>29OCT02 | Tyco Electronics Corporation<br>Harrisburg, PA 17105 |   |
| DIMENSIONS:<br>INCHES                  | TOLERANCES UNLESS OTHERWISE SPECIFIED:  | CHK<br>F.BLASICK<br>10-30-02 | APVD<br>F.BLASICK<br>10-30-02                        | NAME<br>SMA PLUG TO JACK ADAPTER WITH TWO HOLE FLANGE |
|  | 0 PLC ± -<br>1 PLC ± -<br>2 PLC ± -<br>3 PLC ± .005 [0.13]<br>4 PLC ± -<br>ANGLES ± - | PRODUCT SPEC                 | APPLICATION SPEC                                     | RESTRICTED TO   |
| MATERIAL<br>SEE TABLE                  | FINISH<br>SEE TABLE   | WEIGHT<br>-                  | SIZE<br>A2   | CAGE CODE<br>00779                                    |
| CUSTOMER DRAWING                       |   | SCALE<br>5:1                 | DRAWING NO<br>1484490                                | REV<br>0  |