

Ratings

Voltage: 300 V
 Temperature: -40~105 °C
 Flammability: VW-1

Conductor

Conductor count: 4
 Gauge: 20 AWG 0.52 mm²
 Material: tinned copper strands
 Strand size: Ø 0.127 mm x 41
 Resistance at 20 °C: 36.7 Ω /km max

Insulator

Material: FEP
 Color: red, black, white, yellow
 Diameter: Ø 1.25 ±0.10
 Nominal thickness: 0.13 mm
 Resistance at 20 °C: 10 MΩ /km min

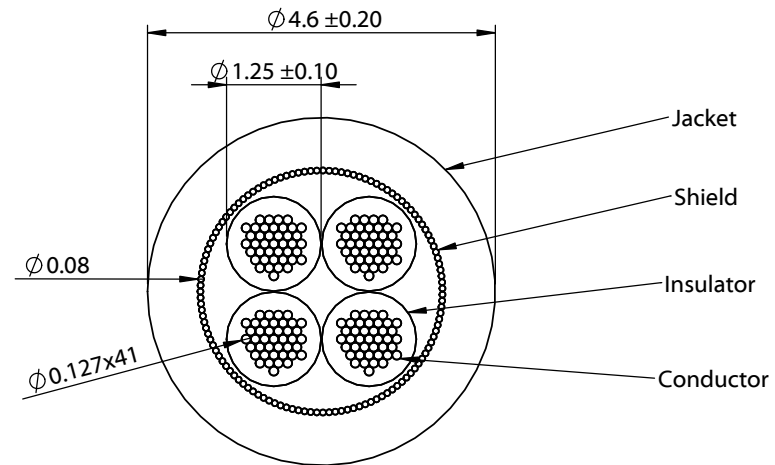
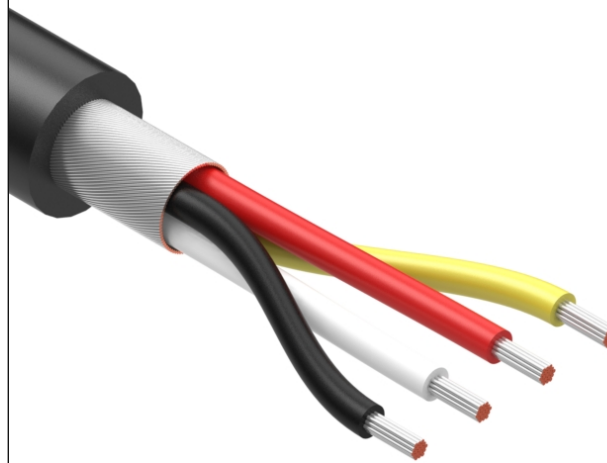
Shield

Material: tinned copper strands
 Strand size: Ø 0.08 mm, 85% min coverage

Outer jacket

Material: TPE, 78A
 Color: black, matte
 Diameter: Ø 4.6 ±0.20
 Nominal thickness: 0.6 mm

Wire marking: E339579 UL AWM STYLE 21296 20 AWG 105°C 300V VW-1 --- cUL AWM I A 105°C 300V FT1 TENSILITY DGT



Revision:	Date:	Description:
A	10/05/2021	Initial release

Prepared: **PB**
Digitally signed by PB
 Date: 2021.11.01
 08:35:15 -0700'

Verified: **JD**
Digitally signed by JD
 Date: 2021.11.03
 14:03:42 -0700'

Dimensions are in millimeters.
 Tolerances:
 X: ± 0.5 mm
 X.X: ± 0.3 mm
 X.XX: ± 0.05 mm

Notes:
 RoHS compliant
 Phthalate free
 Function test: no open, no short circuit, no intermittent

Description:
 Wire, 4C TS, 20 AWG, UL 21296, 300V, 105C, 4.6 mm, shielded, VW-1, TPE

TENSILITY

tel 1.541.323.3228 800 877.670.7118
 fax 1.541.323.4202 web tensility.com

Size:	Part number:
A	30-02427
Scale: 10:1	Sheet 1 of 1