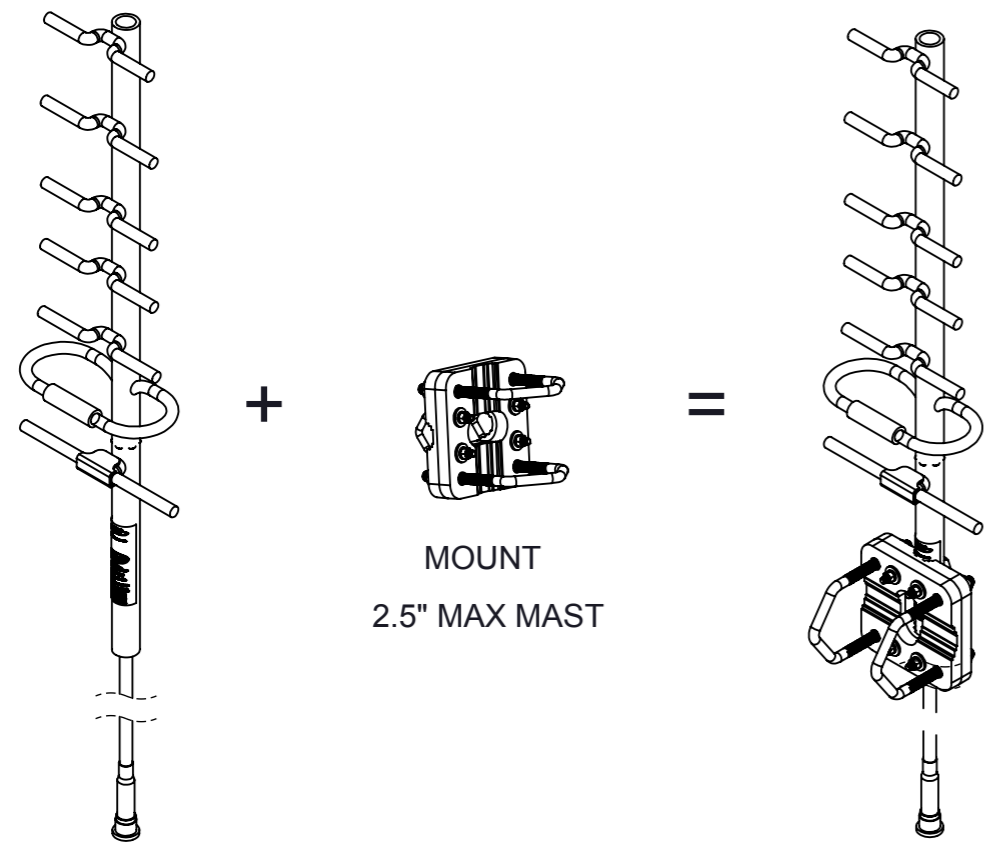
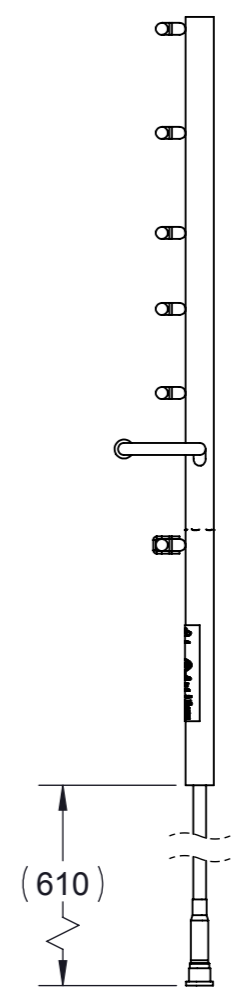
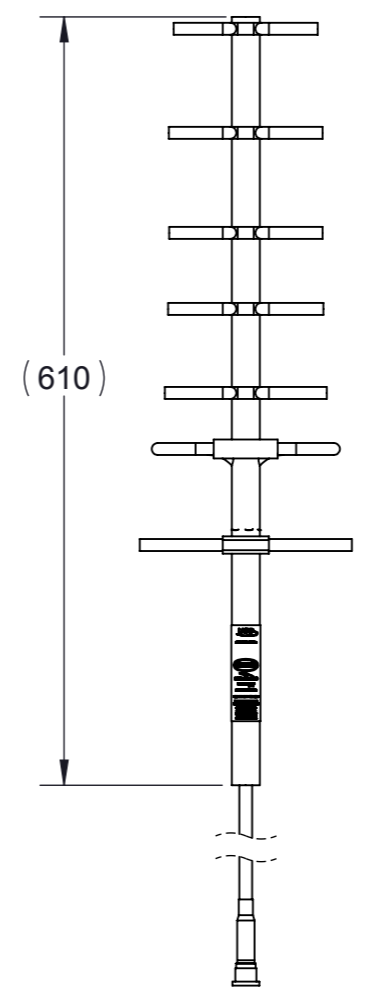
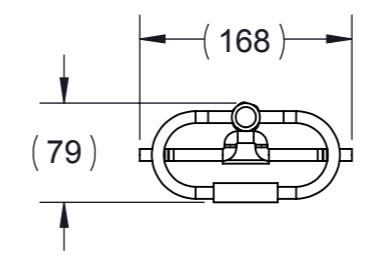


| PARAMETER               | PERFORMANCE            |
|-------------------------|------------------------|
| MODEL NUMBER            | YF880012-61NF          |
| FREQUENCY               | 880-960 MHz            |
| GAIN                    | 12 dBi                 |
| POLARIZATION            | VERTICAL OR HORIZONTAL |
| RADIATION PATTERN       | DIRECTIONAL            |
| VSWR                    | < 1.5:1                |
| POWER RATING            | 200 WATTS              |
| IP RATING               | IP67                   |
| OPERATING TEMPERATURE   | -30° C TO +70° C       |
| STORAGE TEMPERATURE     | -40° C TO +85° C       |
| OPERATIONAL WIND RATING | 100 mph (2.6 lbf load) |
| SURVIVAL WIND RATING    | 136 mph (5.2 lbf load) |
| WEIGHT WITHOUT BRACKET  | 1.50 lbs               |
| WEIGHT WITH BRACKET     | 3.02 lbs               |
| FRONT TO BACK RATIO     | 20dB                   |
| TERMINATION             | N-FEMALE               |
| CABLE TYPE              | RG213                  |
| IMPEDANCE               | 50 ohm TYP.            |

| REVISIONS |               |      |                                 |                 |                  |
|-----------|---------------|------|---------------------------------|-----------------|------------------|
| REV.      | ECN#          | ZONE | DESCRIPTION                     | CHANGED BY/DATE | APPROVED BY/DATE |
| AA        | ECN-IAS-03974 | ALL  | INITIAL RELEASE                 | S.S. 20APR15    | R.H. 20APR15     |
| F01       | ECN-IAS-05161 | ALL  | UPDATED THE SPECIFICATION TABLE | S.J. 08MAR16    | K.S. 08MAR16     |

THIS DRAWING IS UNPUBLISHED. RELEASED FOR PUBLICATION - , - .  
 © Copyright 2022 TE Connectivity Ltd. ALL RIGHTS RESERVED.



| MATERIAL: SEE BOM  | THIRD ANGLE PROJECTION |   |      |                   |         |                    |         |                     |         |                       |         |        |
|--|------------------------|---|------|-------------------|---------|--------------------|---------|---------------------|---------|-----------------------|---------|--------|
| FINISH: SEE BOM  | DO NOT SCALE DRAWING   |   |      |                   |         |                    |         |                     |         |                       |         |        |
| <table border="1"> <thead> <tr> <th>APPROVALS</th> <th>DATE</th> </tr> </thead> <tbody> <tr> <td>DRAWN BY S. SAFVI</td> <td>20APR15</td> </tr> <tr> <td>ELEC. ENG. R. HARO</td> <td>20APR15</td> </tr> <tr> <td>MECH. ENG. S. SAFVI</td> <td>20APR15</td> </tr> <tr> <td>MFG./OPS. Y. CASTILLO</td> <td>20APR15</td> </tr> </tbody> </table> |                        | APPROVALS   | DATE | DRAWN BY S. SAFVI | 20APR15 | ELEC. ENG. R. HARO | 20APR15 | MECH. ENG. S. SAFVI | 20APR15 | MFG./OPS. Y. CASTILLO | 20APR15 | TITLE: |
| APPROVALS  | DATE                   |   |      |                   |         |                    |         |                     |         |                       |         |        |
| DRAWN BY S. SAFVI  | 20APR15                |   |      |                   |         |                    |         |                     |         |                       |         |        |
| ELEC. ENG. R. HARO   | 20APR15                |   |      |                   |         |                    |         |                     |         |                       |         |        |
| MECH. ENG. S. SAFVI  | 20APR15                |   |      |                   |         |                    |         |                     |         |                       |         |        |
| MFG./OPS. Y. CASTILLO  | 20APR15                |   |      |                   |         |                    |         |                     |         |                       |         |        |
| INTERPRET DIMENSIONING AND TOLERANCING IN ACCORDANCE WITH ASME Y14.5M-2009<br>TOLERANCES UNLESS OTHERWISE SPECIFIED<br>DIMENSIONS ARE IN MILLIMETERS   |                        | <b>YF880012-61NF</b>  |      |                   |         |                    |         |                     |         |                       |         |        |
| ANGLE: ±30'<br>0 PLACE DECIMAL: ±0.5<br>1 PLACE DECIMAL: ±0.25<br>2 PLACE DECIMAL: ±0.13<br>SURFACE ROUGHNESS 1.6/√  |                        | SIZE <b>A3</b> DWG. NO. <b>YF880012-61NFM0</b> REV <b>F01</b> |      |                   |         |                    |         |                     |         |                       |         |        |
| SCALE: 1:6   |                        | PREVIOUS#   |      |                   |         |                    |         |                     |         |                       |         |        |
|  |                        | SHEET 1 OF 1  |      |                   |         |                    |         |                     |         |                       |         |        |