

SERIES 95C

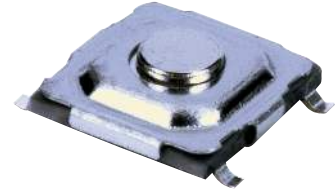
5mm Square

FEATURES

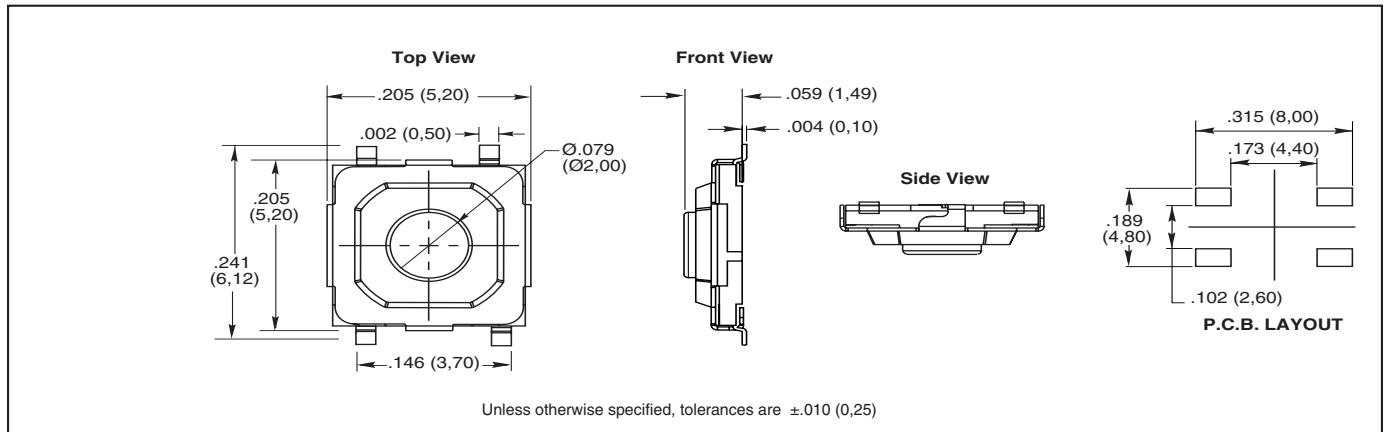
- Excellent Tactile Feedback
- Compatible with SMT Assembly Including Infrared and Vapor Phase
- Ultraminiature and Lightweight Structure Suitable for High Density Mounting

APPLICATIONS

Used in applications such as consumer electronics, audio equipment, PCs, VCRs, cable boxes, modems, communications equipment, controls, security and alarm equipment, and test and measurement equipment.



DIMENSIONS in inches (and millimeters)



SPECIFICATIONS

Materials

Base: UL94V-0 LCP thermoplastic

Cover: Nickel silver

Actuator: Brass with nickel-plating

Terminal: Brass with silver-plating

Contact: Stainless steel with silver-plating

Electrical

Rating: 50mA, 12 Vdc

Life: 160g: 1,000,000 cycles;

260g: 200,000 cycles

Actuator Travel: .010" + .008" / - .004"

Contact Resistance: 100 mΩ max.

Insulation Resistance: 100 MΩ min. at 500Vdc

Dielectric Strength: No dielectric breakdown after 250V for one minute.

Contact Arrangement: single pole, single throw

Environmental

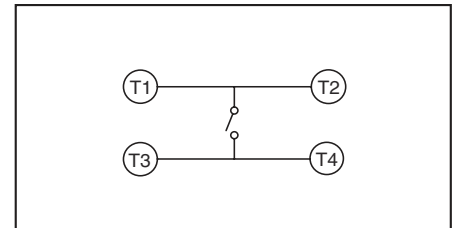
Operating Temp. Range: -25 to 70°C

Storage Temp. Range: -30 to 80°C

Mechanical Shock: MIL-STD-202F, Method 213B, Test Condition A. Gravity: 50G (peak value), 11 msec. Direction and times: 6 sides and 3 times in each direction.

Vibration: MIL-STD-202F, Method 201A. Passed 6 hours (2 hours in each) of three perpendicular planes at a cycle of 10-55-10Hz/minute.

CIRCUITRY



Soldering Process

Hand Soldering: Use a soldering iron of 30 watts, controlled at 350°C for 5 seconds maximum while applying solder.

Reflow Soldering: Peak temperature 260°C (500°F).

Packaging

Tape and Reel: 4000 pcs/reel.

ORDERING INFORMATION

	Series
	Size: 05 = 5mm Square
	Height: B = .059 (1,49)
	RoHS compliant
	Packaging: R = Tape and Reel (see pkg note)
	Terminal Style: GW = Gull Wing
	Operating Force: 3 = 160g, 4 = 260g

Available from your local Grayhill Component Distributor.

For prices and discounts, contact a local Sales Office, an authorized local distributor, or Grayhill.