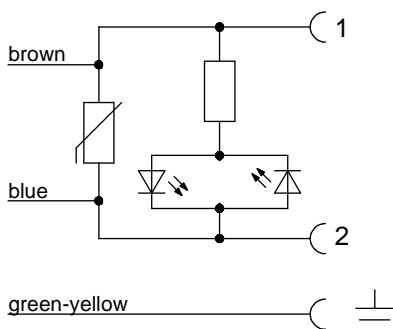


Contact assignment:



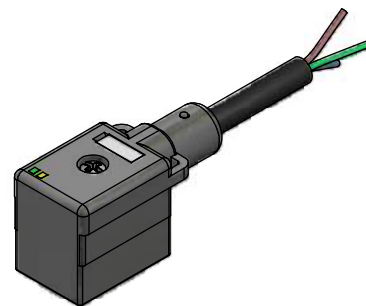
D see data sheet cable

Technical specification :

Rated voltage: 24 V AC / DC
 Current rating: 4 A at 40°C
 IEC 60512-5-2 5b
 Pollution degree: 3
 IEC 60664-1
 Degree of protection: IP 67, in mated condition
 IEC 60529
 Temperature range: -25°C ... +80°C
 IEC 60664-1
 Mating cycles: >50

Materials:

Contact: CuZn
 Contact plating: Nickel, stannous plated
 Contact carrier: PA GF, UL 94
 Moulding body: TPU, UL 94, transparent



Part no:	Description:	Length L:	Cable:
55-00073	SAL - BI - V2PE - 180 - 124 - 2 / H2	2m	PUR/PVC, black, 3x0,5mm ² Cable: 781-H25300
55-00014	SAL - BI - V2PE - 180 - 124 - 3 / H2	3m	
55-00015	SAL - BI - V2PE - 180 - 124 - 5 / H2	5m	
55-00074	SAL - BI - V2PE - 180 - 124 - 10 / H2	10m	
55-00187	SAL - BI - V2PE - 180 - 124 - 2 / A2	2m	PVC, black, 3x0,5mm ² Cable: -
55-00188	SAL - BI - V2PE - 180 - 124 - 3 / A2	3m	
55-00189	SAL - BI - V2PE - 180 - 124 - 5 / A2	5m	
55-00190	SAL - BI - V2PE - 180 - 124 - 10 / A2	10m	
55-00199	SAL - BI - V2PE - 180 - 124 - 2 / K1 / 075	2m	TPU, UL 20549, black, 3x0,75mm ² Cable: 781-K17300
55-00200	SAL - BI - V2PE - 180 - 124 - 3 / K1 / 075	3m	
55-00201	SAL - BI - V2PE - 180 - 124 - 5 / K1 / 075	5m	
55-00202	SAL - BI - V2PE - 180 - 124 - 10 / K1 / 075	10m	
55-00203	SAL - BI - V2PE - 180 - 124 - 2 / A3 / 075	2m	PVC, UL 2464, grey, 3x0,75mm ² Cable: 781-A37300
55-00204	SAL - BI - V2PE - 180 - 124 - 3 / A3 / 075	3m	
55-00205	SAL - BI - V2PE - 180 - 124 - 5 / A3 / 075	5m	
55-00206	SAL - BI - V2PE - 180 - 124 - 10 / A3 / 075	10m	

DO NOT ALTER CAD DRAWING BY HAND
 Directive 2002/95/EC RoHS compliant
 Index: a 02.02.11 VF Ä3731
 contact assignment modified, dimension
 cable diameter removed, part no. cable in
 table added
 THIS DRAWING MAY NOT BE COPIED OR
 REPRODUCED IN ANY WAY, AND MAY NOT
 BE PASSED ON TO A THIRD PARTY WITHOUT
 WRITTEN PERMISSION.
 OWNERSHIP AND COPYRIGHT OF CONEC GmbH

dim. in mm		
	date	name
drawn	16.06.08	Franz
appd.	16.06.08	Schmidt



title: Valve plug type B industrial,
 with protective circuit,
 ground 180° rotated
 dwg no:
 55K1A008
 part no: see table