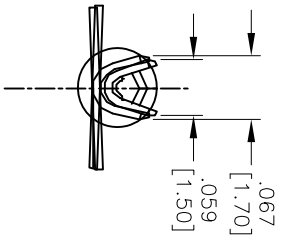
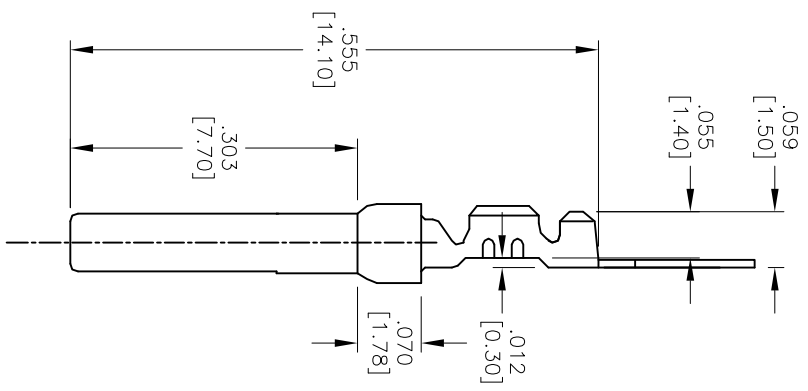
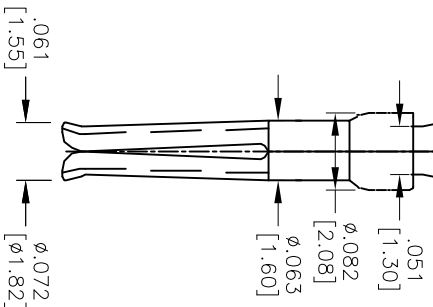
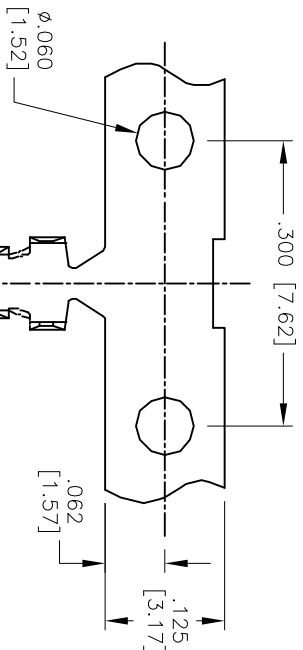


Rev	AWO #	Description	Date	Appr
-		RELEASED	1/11/05	
A		REVISED DIM.	11/22/12	
B		REDRAWN	6/30/14	HR/QZL

APPROVED: \_\_\_\_\_  
 DATE: \_\_\_\_\_ TITLE: \_\_\_\_\_



**SPECIFICATIONS:**  
 Material: Gold flash over Nickel underplate overall  
 Contact: Phosphor Bronze  
 Plating:  
 Gold flash over Nickel underplate overall  
 Electrical:  
 Operating voltage: 250 VAC max  
 Current rating: 3 Amps max  
 Contact resistance: 20 mohms max initial  
 Mechanical:  
 Recommended wire range: 24-28 AWG  
 Temperature Rating:  
 Operating temperature: -55°C to +105°C  
 Packaging:  
 B = Loose Cut  
 R = Tape and Reel  
 Environmental:  
 Lead free, RoHS compliant



UNLESS OTHERWISE SPECIFIED ALL DIMENSIONS ARE INCHES [MM]	
TOLERANCES: EXCEPT AS NOTED	
INCHES	HOLES
.X ± .10	± .10
.XX ± .020	± .015
.XXX ± .015	± .010
APPROVALS	DATE
DRAWN	SS
CHECKED	
APPROVED	

**ADAM TECH**  
 909 Rahway Avenue, Union, NJ 07083  
 Phone: 908-687-5000 Fax: 908-687-5710

**D-SUB SOCKET CONTACT, 24-28 AWG GOLD FLASH**

SIZE: X PART NO.: DCS-01-X  
 REF: S00087T SCALE: NTS SHEET 1 OF 1