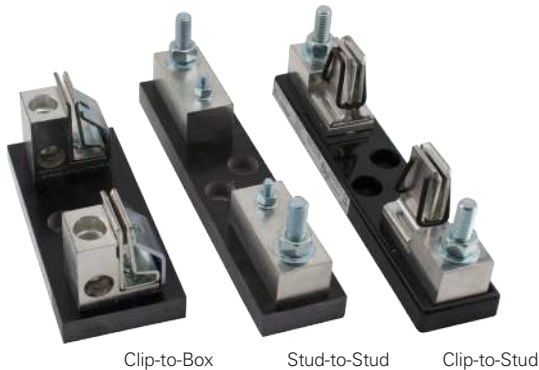


# POWR-GARD® Blocks and Holders Datasheet

## LFJ1000 SERIES SOLAR FUSE BLOCK

1000 V dc • Clip-to-Box • Stud-to-Stud • Clip-to-Stud



Clip-to-Box      Stud-to-Stud      Clip-to-Stud

### Description

The LFJ1000 series fuse block is specifically designed for the Littelfuse SPFJ 1000 V Solar Fuse. It meets UL electrical requirements, is available in multiple amperages, and comes in a variety of fuse mounting and termination configurations; fuse clip to box lug, fuse stud to wire stud and fuse clip to wire stud.

### Features/Benefits

- Narrow width increases space savings
- Range of amperages to match all SPFJ fuse options
- Box Lug termination style accommodates a wide range of cable sizes
- Stud-mounted option increases convenience
- Approval for use with copper or aluminum lugs allowing for design flexibility

### Ordering Information

#### (Clip-to-Box Lug 1000 V)

AMPERAGE	ORDERING NUMBER	INTERRUPT RATING	WIRE RANGE STANDARD (METRIC)	WIRE TYPE		RECOMMENDED TORQUE
200	LFJ102001C	20 kA	250 kcmil - #6 (127mm <sup>2</sup> - 16mm <sup>2</sup> )	Cu/Al	Solid/ Stranded	275 in-lb (31.1 N-m)
400	LFJ104001C	10 kA	350 kcmil - 1/0 (177mm <sup>2</sup> - 55mm <sup>2</sup> )			275 in-lb (31.1 N-m)
450	LFJ104501C	20 kA	500 kcmil - #4 (253mm <sup>2</sup> - 25mm <sup>2</sup> )			375 in-lb (42.4 N-m)

#### (Stud-to-Stud 1000 V)

AMPERAGE	ORDERING NUMBER	INTERRUPT RATING	RECOMMENDED TORQUE		MAX. BUSBAR THICKNESS	RECOMMENDED BASE TORQUE	
			FUSE	TERMINAL		BOLT SIZE	TORQUE
200	LFJ102001STST	20 kA	65 in-lb (7.3 N-m)	200 in-lb (22.6 N-m)	.774" (19.66 mm)	1/4" 5/16"	30-40 in-lb 40-50 in-lb
400	LFJ104001STST	10 kA	170 in-lb (19.2 N-m)	200 in-lb (22.6 N-m)	.555" (14.10 mm)		
450	LFJ104501STST	20 kA	300 in-lb (33.9 N-m)	300 in-lb (33.9 N-m)	.570" (14.18 mm)		

#### (Clip-to-Stud 1000 V)

AMPERAGE	ORDERING NUMBER	INTERRUPT RATING	RECOMMENDED TORQUE	MAX. BUSBAR THICKNESS	RECOMMENDED BASE TORQUE	
			TERMINAL		BOLT SIZE	TORQUE
200	LFJ102001CST	20 kA	200 in-lb (22.6 N-m)	.774" (19.66 mm)	1/4" 5/16"	30-40 in-lb 40-50 in-lb
400	LFJ104001CST	10 kA	200 in-lb (22.6 N-m)	.555" (14.10 mm)		
450	LFJ104501CST	20 kA	300 in-lb (33.9 N-m)	.570" (14.18 mm)		

### Specifications

<b>Voltage Ratings</b>	1000 V dc
<b>Ampere Ratings</b>	200, 400, 450 A
<b>Materials:</b>	
<b>Base</b>	Thermoplastic
<b>Fuse Clip</b>	Tin plated copper alloy
<b>Box Lug</b>	Aluminum
<b>Fuse Studs</b>	Zinc plated steel
<b>Connector Studs</b>	Zinc plated steel
<b>Flammability Rating</b>	UL94 V-0
<b>Termination Type</b>	Box Lug or Stud Mount
<b>Base Temp Rating</b>	130 °C
<b>Approvals</b>	UL 4248-18 Listed File: E345481 Vol. 1 RoHS Compliant
<b>Environmental</b>	

### Recommended Fuses

SPFJ Solar Series

### Web Resources

Sample requests, downloadable CAD drawings, dimensions and other technical information:

[Littelfuse.com/LFJ1000](http://Littelfuse.com/LFJ1000)

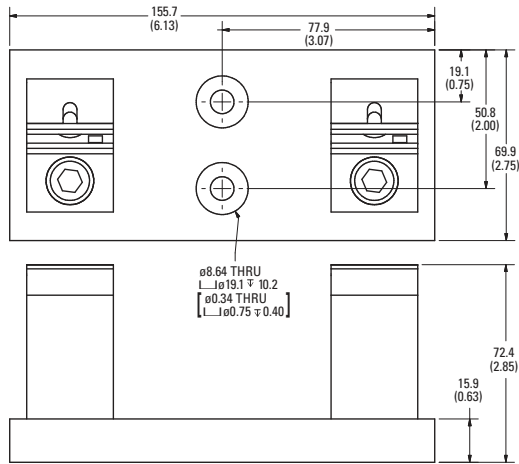
For a comprehensive overview of solar market solutions, visit: [Littelfuse.com/solar](http://Littelfuse.com/solar)

# POWR-GARD® Blocks and Holders Datasheet

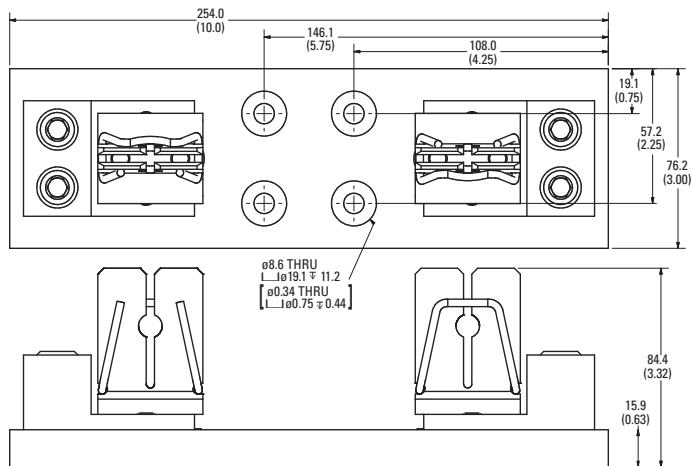
## LFJ1000 SERIES SOLAR FUSE BLOCK

### Dimensions mm (inches)

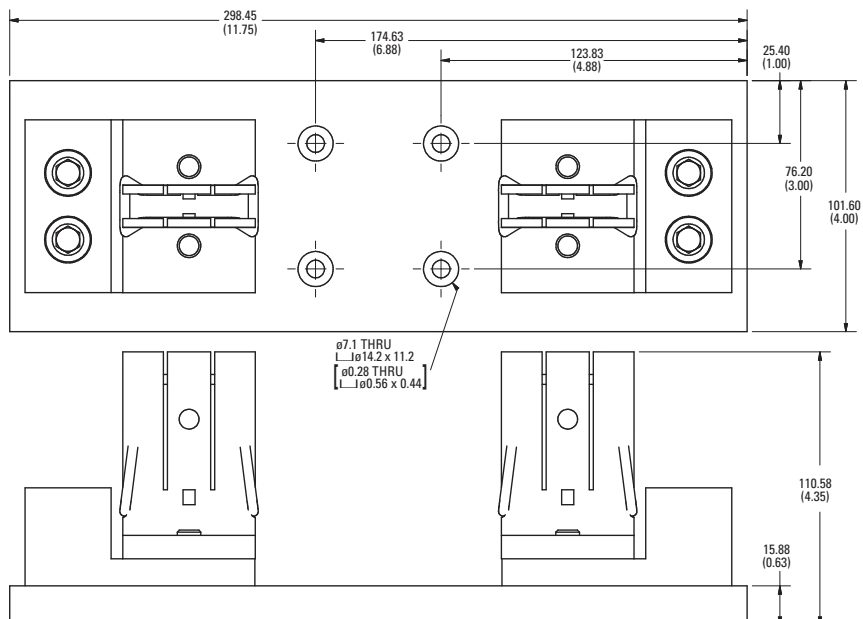
Clip-to-Box 1000 V 200 A



Clip-to-Box 1000 V 400 A



Clip-to-Box 1000 V 450 A

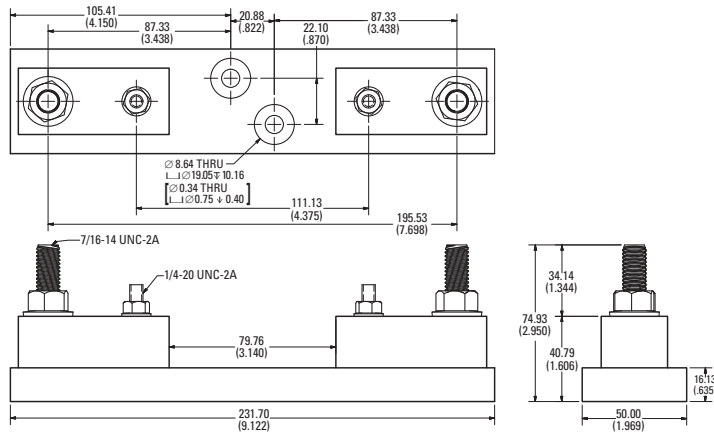


# POWR-GARD® Blocks and Holders Datasheet

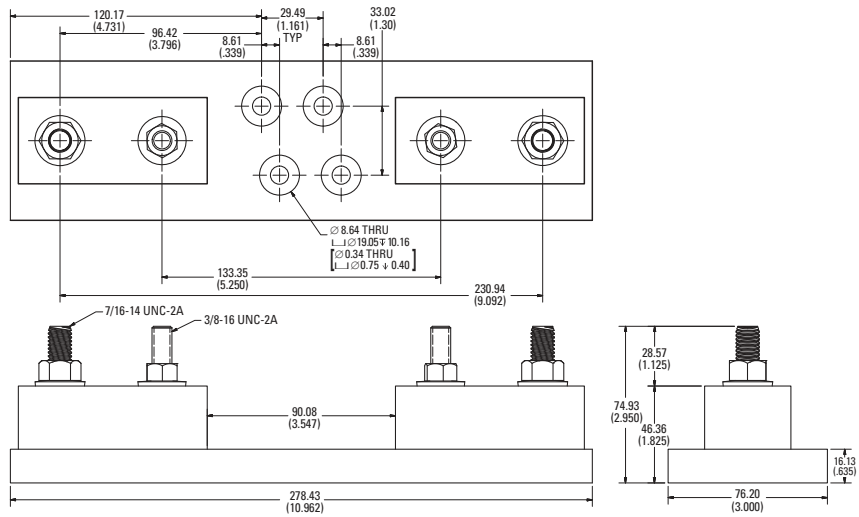
## LFJ1000 SERIES SOLAR FUSE BLOCK

### Dimensions mm (inches)

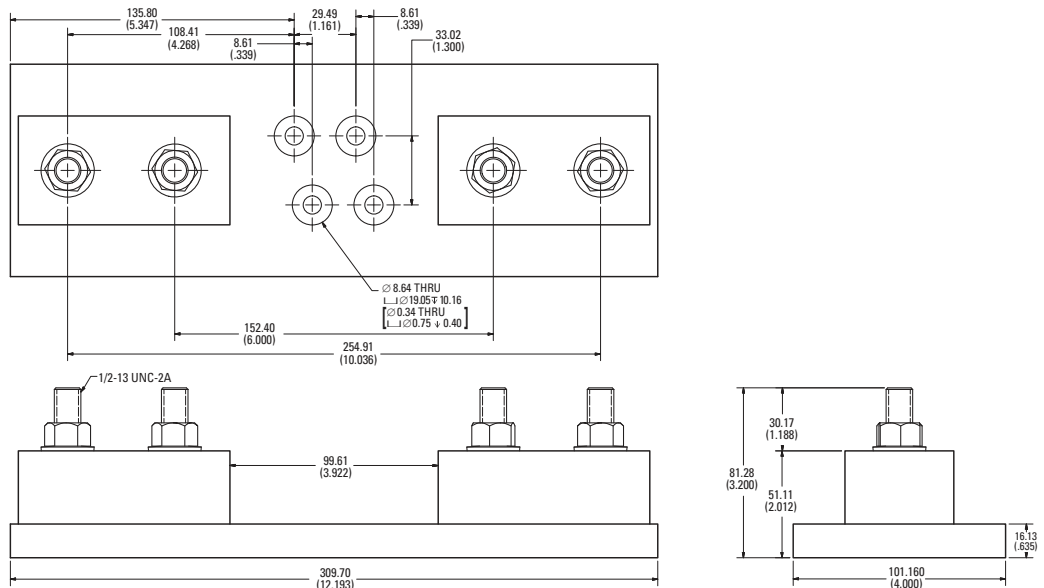
#### Stud-to-Stud 1000 V 200 A



#### Stud-to-Stud 1000 V 400 A



#### Stud-to-Stud 1000 V 450 A

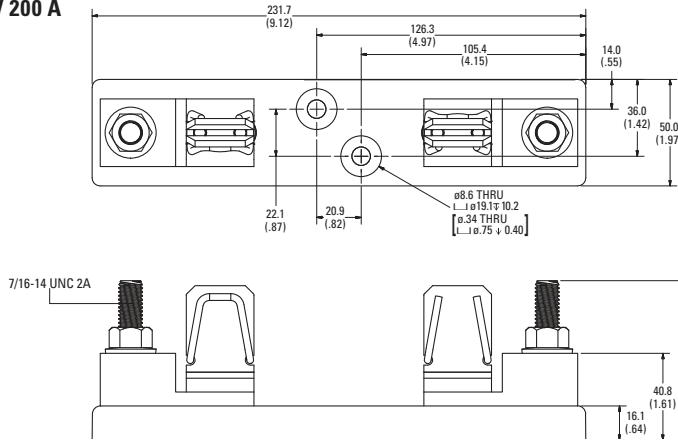


# POWR-GARD® Blocks and Holders Datasheet

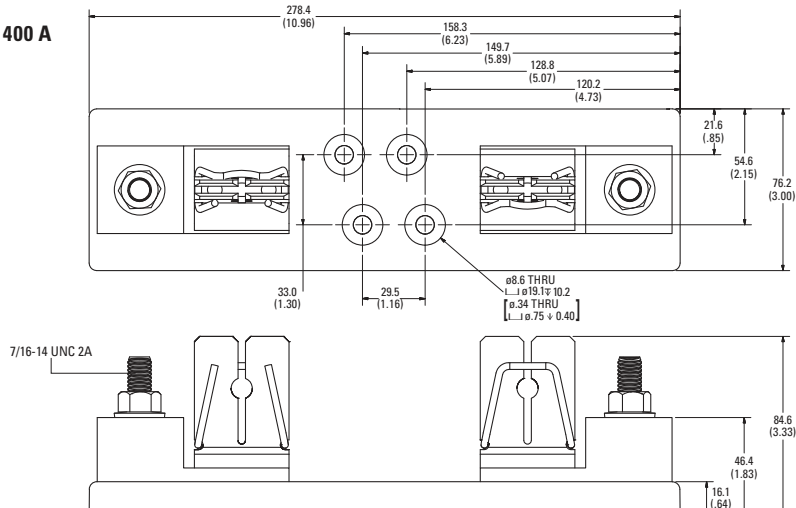
## LFJ1000 SERIES SOLAR FUSE BLOCK

### Dimensions mm (inches)

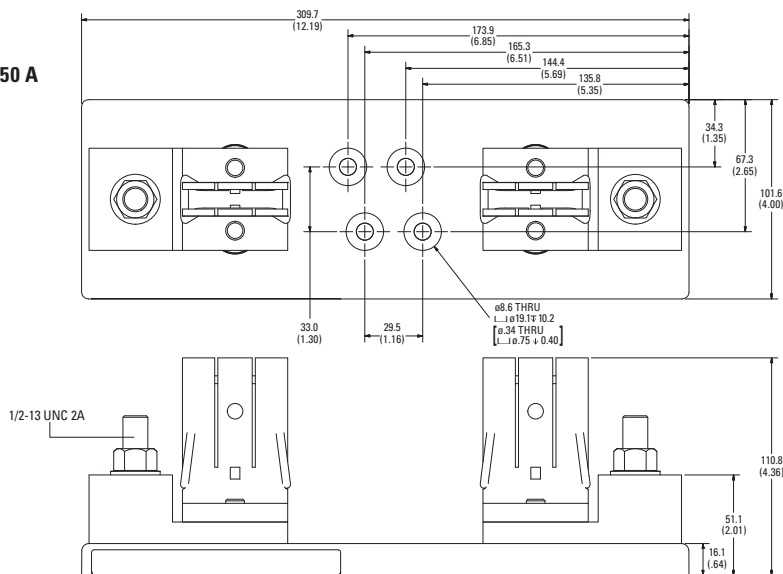
#### Clip-to-Stud 1000 V 200 A



#### Clip-to-Stud 1000 V 400 A



#### Clip-to-Stud 1000 V 450 A



**Disclaimer Notice** – Information furnished is believed to be accurate and reliable. However, users should independently evaluate the suitability of and test each product selected for their own applications. Littelfuse products are not designed for, and may not be used in, all applications. Read complete Disclaimer Notice at [www.littelfuse.com/product-disclaimer](http://www.littelfuse.com/product-disclaimer).