



50 ohm SMA plug to SMA jack DC Block inner from 10MHz to 18.5GHz rated 200 Volt in Brass

DC Blocks Technical Data Sheet

PE8273

Features

- Inner DC Blocks with Brass Body
- SMA connectorized configuration
- Operates from 10 MHz to 18.5 GHz
- 50 Ohm Impedance

Applications

- Test & Measurement
- Ground Loop Elimination
- Signal to Noise Ratio (SNR) Improvement

Description

Pasternack's PE8273 is an inner DC block with SMA connectors. It has a blocking capacitor on the inner conductor and operates from 10 MHz to 18.5 GHz. Our SMA DC block offers good insertion loss of 0.6 dB and has a maximum operating voltage of 200 Vdc. DC blocks are commonly used to filter out unwanted DC signals, while allowing AC drive signals to pass through. They can help improve signal to noise ratio (SNR), eliminate ground loops, or provide isolation in your test setup. All of Pasternack's DC blocks are in stock and available to ship same-day.

Electrical Specifications

| Description | Minimum | Typical | Maximum | Units |
|------------------------|---------|---------|---------|-------|
| Frequency Range | 0.01 | | 18.5 | GHz |
| Impedance | | 50 | | Ohms |
| VSWR | | | 1.35:1 | |
| Insertion Loss | | | 0.6 | dB |
| Operating Voltage (DC) | | | 200 | Volts |

Mechanical Specifications

Size

| | |
|------------------------------|--------------------|
| Length | 0.97 in [24.64 mm] |
| Width | 0.315 in [8 mm] |
| Height | 0.315 in [8 mm] |
| Weight | 0.05 lbs [22.68 g] |
| Housing Material and Plating | Brass, Tri-Metal |

Configuration

Package Type Connectorized

| Description | Connector 1 | Connector 2 |
|--------------------------------------|-------------|-------------|
| Type | SMA Male | SMA Female |
| Inner Conductor Material and Plating | Brass, Gold | Brass, Gold |

Click the following link (or enter part number in "SEARCH" on website) to obtain additional part information including price, inventory and certifications: [50 ohm SMA plug to SMA jack DC Block inner from 10MHz to 18.5GHz rated 200 Volt in Brass PE8273](#)



50 ohm SMA plug to SMA jack DC Block inner from
10MHz to 18.5GHz rated 200 Volt in Brass

DC Blocks Technical Data Sheet

PE8273

Compliance Certifications (see [product page](#) for current document)

Plotted and Other Data

Notes:

50 ohm SMA plug to SMA jack DC Block inner from 10MHz to 18.5GHz rated 200 Volt in Brass from Pasternack Enterprises has same day shipment for domestic and International orders. Our RF, microwave and millimeter wave products maintain a 99.4% availability and are part of the broadest selection in the industry.

Click the following link (or enter part number in "SEARCH" on website) to obtain additional part information including price, inventory and certifications: [50 ohm SMA plug to SMA jack DC Block inner from 10MHz to 18.5GHz rated 200 Volt in Brass PE8273](#)

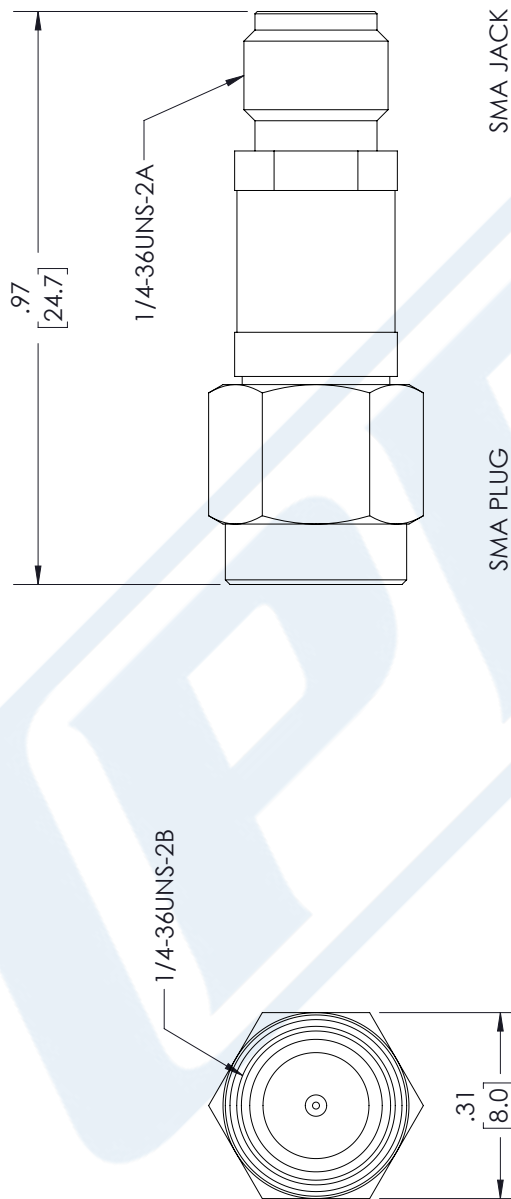
URL: <https://www.pasternack.com/50-ohm-sma-dc-block-10-mhz-18.5-ghz-pe8273-p.aspx>

The information contained in this document is accurate to the best of our knowledge and representative of the part described herein. It may be necessary to make modifications to the part and/or the documentation of the part, in order to implement improvements. Pasternack reserves the right to make such changes as required. Unless otherwise stated, all specifications are nominal. Pasternack does not make any representation or warranty regarding the suitability of the part described herein for any particular purpose, and Pasternack does not assume any liability arising out of the use of any part or documentation.

PE8273 CAD Drawing

50 ohm SMA plug to SMA jack DC Block inner from
10MHz to 18.5GHz rated 200 Volt in Brass

| REVISIONS | | | |
|-----------|-----------------|---------|----------|
| REV. | DESCRIPTION | DATE | APPROVED |
| A | INITIAL RELEASE | 1/25/22 | JNAJERA |



| | | |
|---------------------------------------------------------------------------------------------------------------------------------------------------------------------------------------------------------------------------------------------------------------------------------------------------------------------------------------------------------------------------------------------------------------------------------------------------------------------------------------------------------------------------------------------------------------------------------------------------------|-------------------------------------------------------------------------------------------------------------------------------------------------------------------------------------------------------------------------------------------------------------------------------------------------------------|-------------------------------------------------------------------------------------------------------------------------------------------------------------------------------------|
| <p>UNLESS OTHERWISE SPECIFIED LEADING DIMENSIONS ARE INCHES DIMENSIONS IN [] ARE MILLIMETERS</p> <p>TOLERANCES:</p> <p>.X = ±.2 [5.08] FRACTIONS ±.1/32 .XX = ±.02 [.51] ANGLES ± 1° .XXX = ±.005 [.13]</p> <p>CABLE LENGTH (L) TOLERANCES: L ≤ 12 [305] = +1 [25] / -0 12 [305] < L ≤ 60 [1524] = +2 [51] / -0 60 [1524] < L ≤ 120 [3048] = +4 [102] / -0 120 [3048] < L ≤ 300 [7620] = +6 [152] / -0 300 [7620] < L = +5%L / -0</p> <p>ALL DIMENSIONS SHOWN ARE FOR REFERENCE ONLY.</p> | <p>PE PASTERNAK an INFINIT® brand</p> <p>Pasternack Enterprises, Inc. P.O. Box 16759, Irvine, CA 92623. Phone: 1.949.261.1920 1.866.727.8376 Fax: 1.949.261.7451 Website: www.pasternack.com E-mail: sales@pasternack.com</p> | <p>THIRD-ANGLE PROJECTION</p> <p>THE INFORMATION AND DESIGN IN THIS DOCUMENT IS THE PROPERTY OF PASTERNAK CORPORATION ALL RIGHTS RESERVED.</p> <p>SHEET 1 OF 1</p> <p>SCALE N/A</p> |
| | <p>SIZE A CAGE CODE 53919 DRAWN BY HBAKKE ITEM NO. PE8273 REV A</p> | |

THESE COMMODITIES, TECHNOLOGY OR SOFTWARE WERE EXPORTED FROM THE UNITED STATES IN ACCORDANCE WITH THE EXPORT ADMINISTRATION REGULATIONS. DIVERSION CONTRARY TO U.S. LAW PROHIBITED.