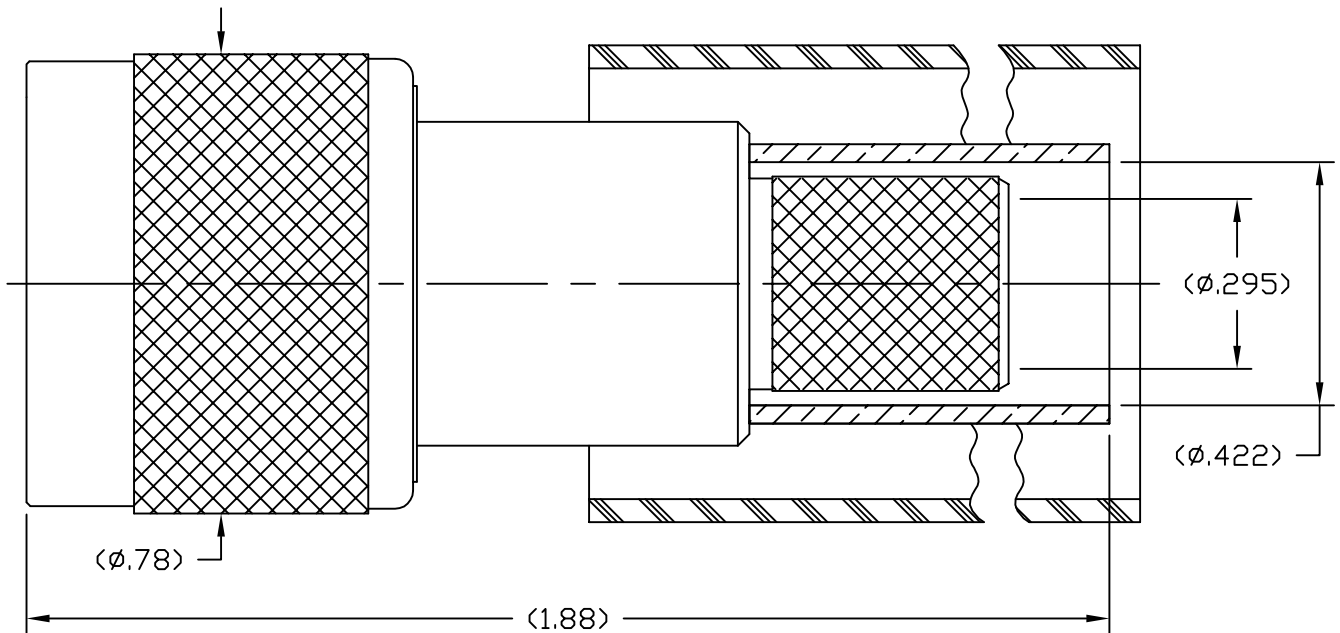
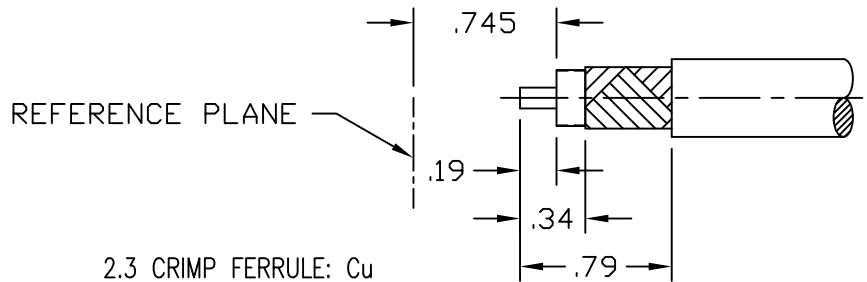


**NOTICE OF PROPRIETARY RIGHTS** THIS DOCUMENT CONTAINS CONFIDENTIAL TECHNICAL DATA, INCLUDING TRADE SECRETS, PROPRIETARY TO TIMES MICROWAVE SYSTEMS. DISCLOSURE OF THIS DATA IS EXPRESSLY CONDITIONED UPON YOUR ASSENT THAT ITS USE IS LIMITED TO USE WITHIN YOUR COMPANY ONLY. ANY OTHER USE IS STRICTLY PROHIBITED WITHOUT THE PRIOR WRITTEN CONSENT OF TIMES MICROWAVE SYSTEMS.

SYM	REVISION DESCRIPTION	DFTM	DATE	APPD	DATE
-	RELEASED FOR PRODUCTION	J. C. L.	10/14/00	J. C. L.	10/14/00
A	CHANGED PER CDC #38062	D. J. H.	7/1/13	J. D. B.	7/9/13



CABLE PREPARATION DETAIL  
HEX .429 CRIMP TOOL  
(NOT TO SCALE)



- 1.0 PERFORMANCE
- 1.1 FREQUENCY RANGE: DC-300 MHz
- 1.2 NOMINAL IMPEDANCE: 50 OHMS
- 1.3 DWV: 1500 V RMS @ 60 Hz (sea level)
- 1.4 TEMPERATURE RANGE: -65°C TO +165°C
- 2.0 MATERIALS
- 2.1 DIELECTRIC: PTFE
- 2.2 CONTACT: BeCu

- 2.3 CRIMP FERRULE: Cu
- 2.4 SHRINK SLEEVE: POLYOLEFIN
- 2.5 LOCKING RING: PHOSPHOR BRONZE
- 2.6 OTHER METAL PARTS: BRASS
- 3.0. FINISHES
- 3.1 CENTER CONTACT: GOLD PLATED
- 3.2 ALL OTHER METAL PARTS: NICKEL PLATED

MATERIAL:	UNLESS OTHERWISE SPECIFIED	DFTM. J. C. L.	TIMES MICROWAVE SYSTEMS	
	ALL DIMENSIONS ARE IN INCHES MACHINED SURFACES FINISH 63 RMS MAX. REMOVE ALL BURRS .005 MAX. BREAK MACHINE CORNERS .005 MAX. FILLET R. TOLERANCES ON DECIMALS .XX ± .03 .XXX ± .005 ANGLES ± 1° FRACTIONS ± 1/32	DATE 10/14/00		
USED ON: E		CHKD. J. C. L.	<b>EZ-400-UM</b> UHF MALE FOR LMR-400 CABLE (EZ/CRIMP)	
		DATE 10/14/00		
SCALE: NONE	DWG. SIZE A	APPD. J. C. L.	SHEET 1 of 1 SD3190-997 REV A	
DO NOT SCALE DRAWING	CODE IDENT 68999	DATE 10/14/00		