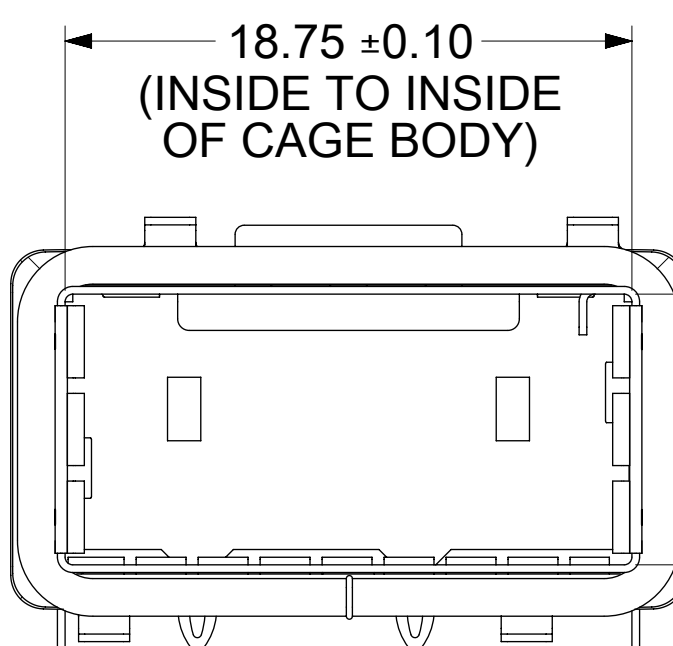
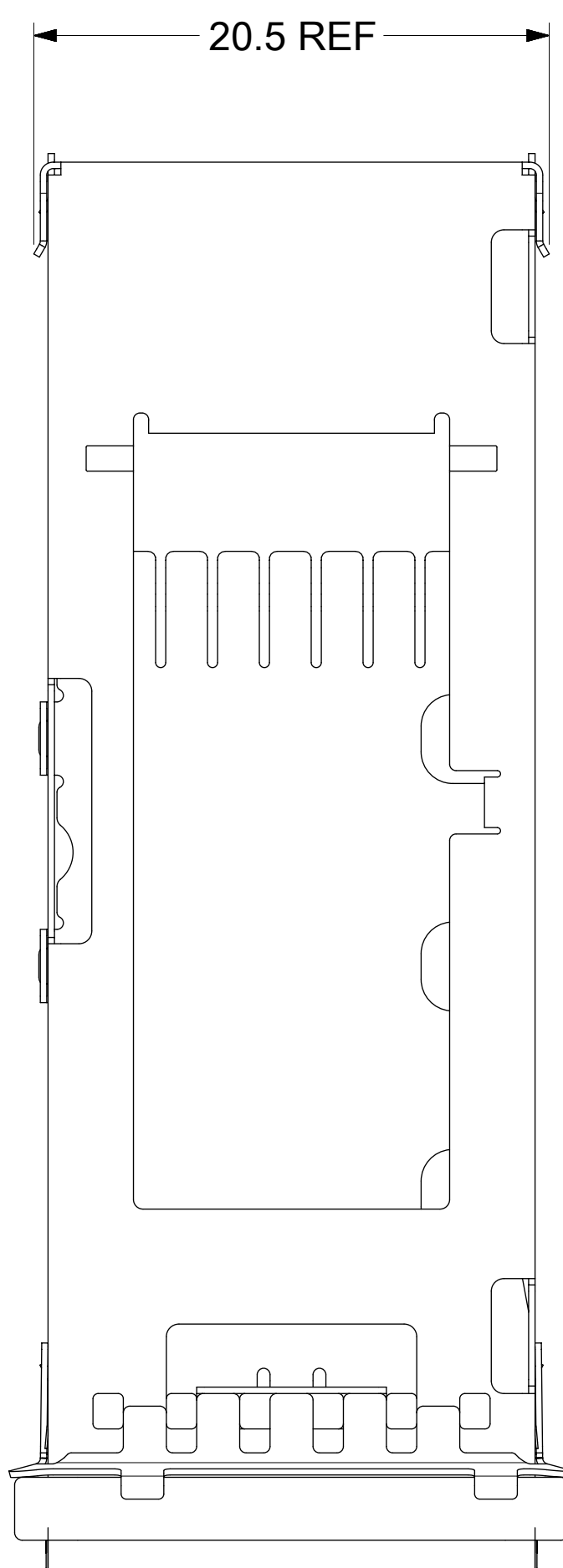
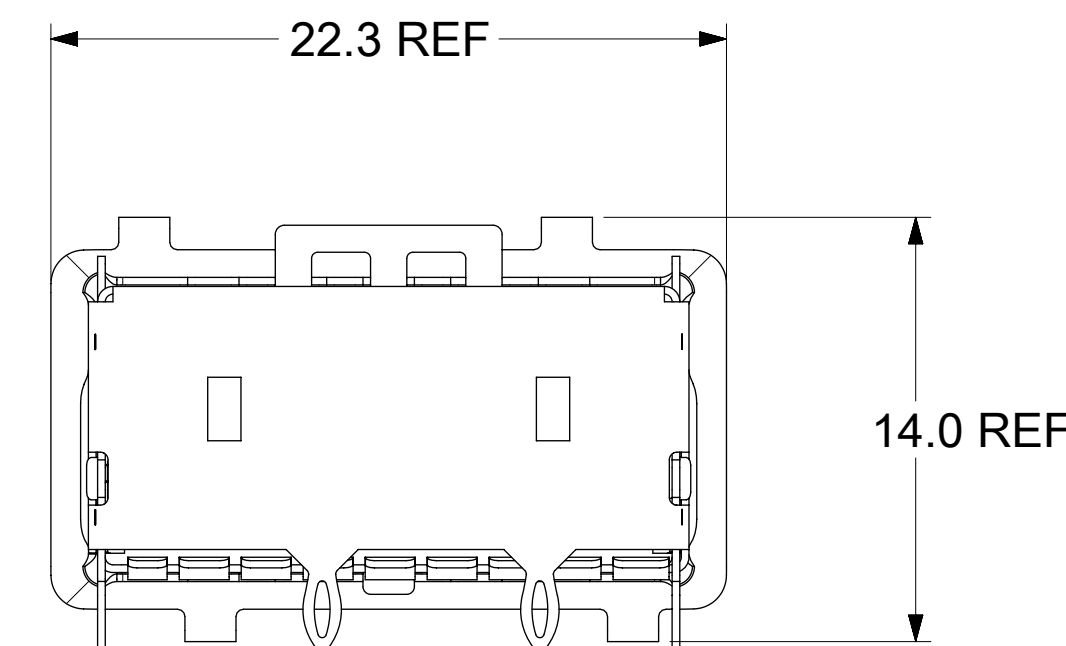
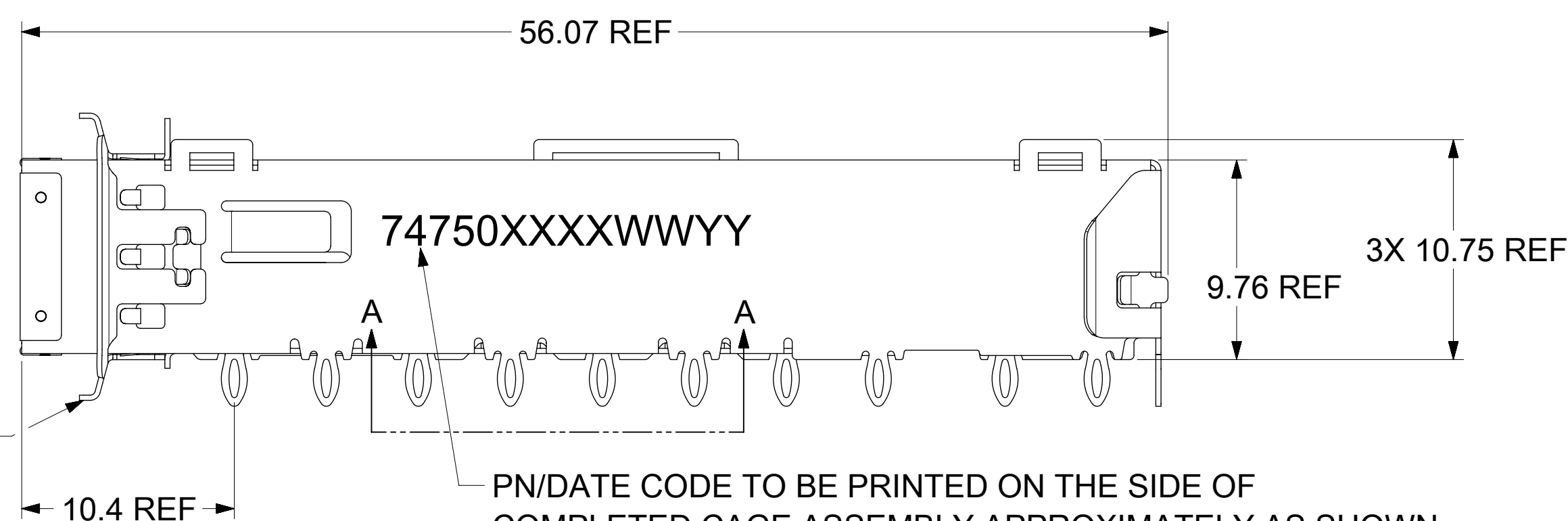
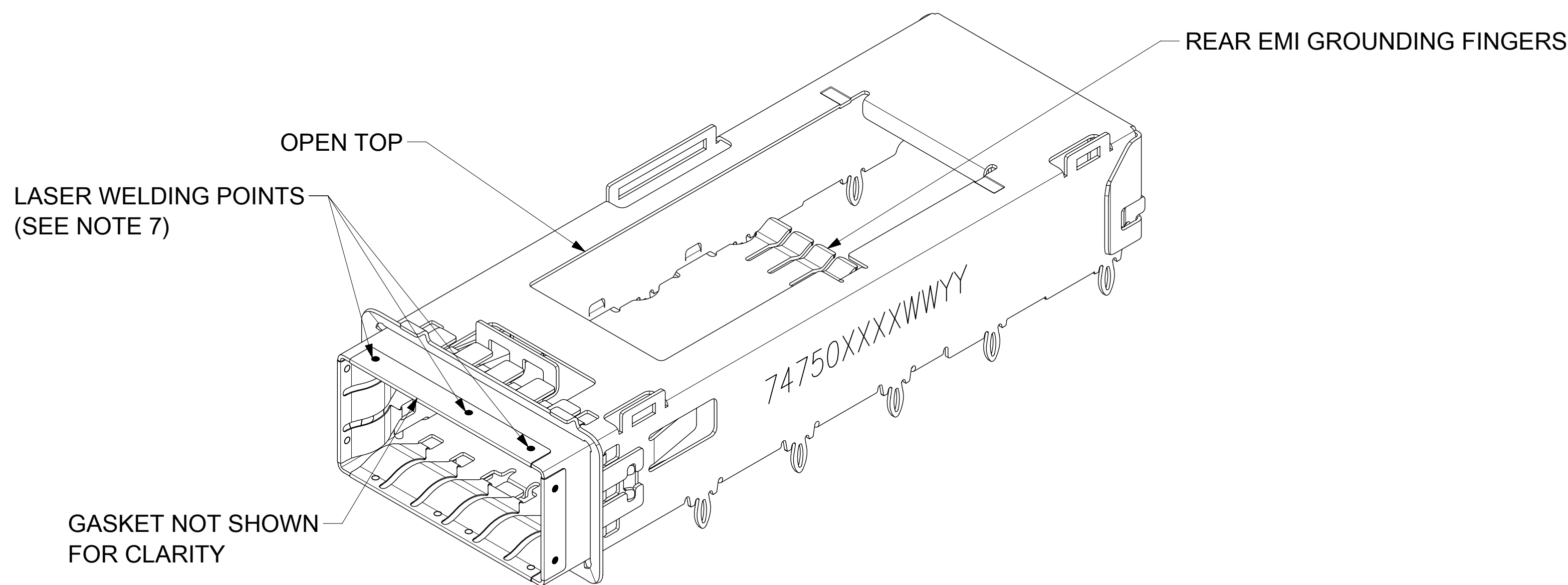


# BASE CAGE DETAILS

747503601 SHOWN



NOTE:  
INTERNAL SPRING FINGERS  
REMOVED FROM THIS VIEW FOR CLARITY.

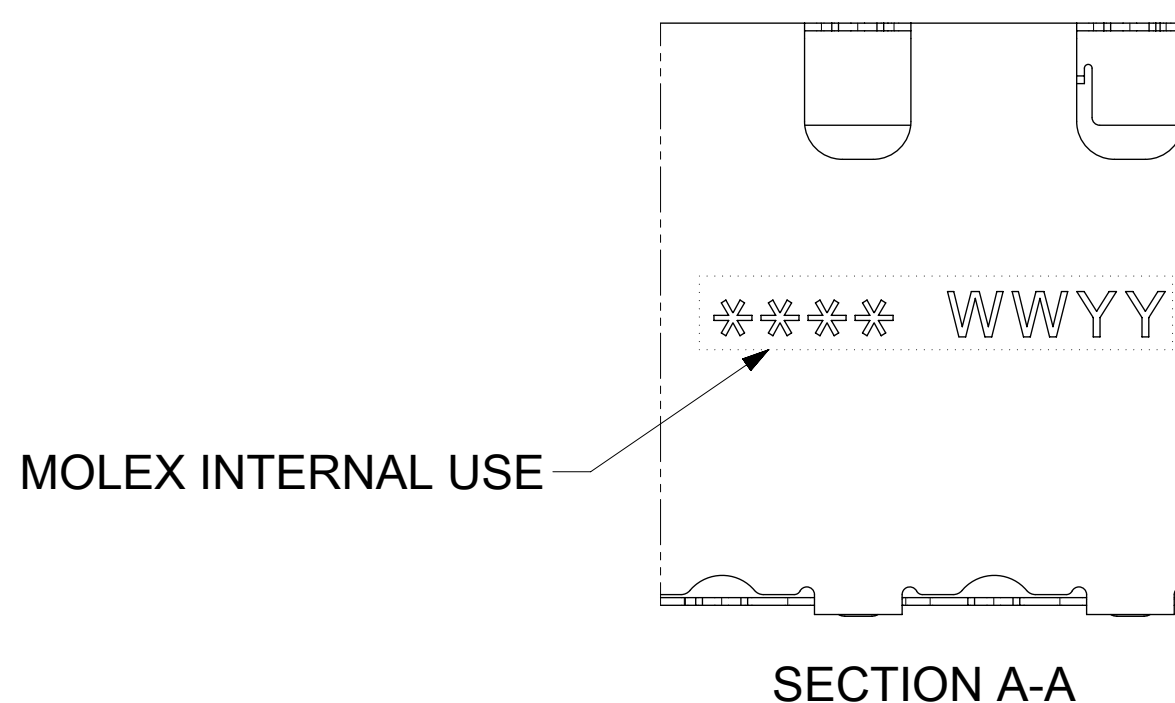


NOTE:  
GASKET REMOVED FROM THIS  
VIEW FOR CLARITY.

WEEK/YEAR DATE CODE TABLE	
WW	01 THRU 52 OR 53 EXAMPLE: 01 = FIRST WEEK OF YEAR 52 = LAST WEEK OF YEAR
YY	22, 23, 24 ETC. EXAMPLE: YEAR 2022 = 22

ITEM NO.	FG PART NUMBER	HEIGHT FROM STAND-OFF HS	SHEET
1	747503600	16.9	2
2	747503601	17.9	3

- NOTES:
- PRESS FIT LEGS 2.28mm LONG
  - MATERIAL:  
CAGE: 0.25mm THICK COPPER ALLOY, NICKEL PLATED  
SPRING FINGERS: STAINLESS STEEL  
LIGHT PIPE/HEAT SINK CLIP: STAINLESS STEEL  
LIGHT PIPES: POLYCARBONATE (UL 94-V0 RATED)  
HEATSINKS: ALUMINUM (NICKEL PLATED).  
ELASTOMERIC GASKET: AgAI IN SILICONE
  - CUSTOM HEATSINKS AVAILABLE UPON REQUEST
  - QSFP+ ASSEMBLES ALSO AVAILABLE IN 1X2 (74767 SERIES), 1X3 (74768 SERIES), 1X4 (74769 SERIES) AND 1X6 (74771 SERIES).
  - PACKAGED IN TRAYS.
  - NO RoHS EXEMPTIONS.
  - WELD SPOTS MAY SHOW SLIGHT MATERIAL DISCOLORATION



THIS DRAWING CONTAINS INFORMATION THAT IS PROPRIETARY TO MOLEX ELECTRONIC TECHNOLOGIES, LLC AND SHOULD NOT BE USED WITHOUT WRITTEN PERMISSION

DIMENSION UNITS	SCALE	CURRENT REV DESC: SEE REVISION TABLE	
mm	4:1		
GENERAL TOLERANCES (UNLESS SPECIFIED)			
ANGULAR TOL	± 1.0°		
4 PLACES	±	EC NO: 712623	
3 PLACES	±	DRWN: PKH	2022/05/23
2 PLACES	± 0.13	CHK'D: VISHNM2	2022/06/29
1 PLACE	± 0.25	APPR: SCHIEN	2022/07/07
0 PLACES	±	INITIAL REVISION:	
DRAFT WHERE APPLICABLE MUST REMAIN WITHIN DIMENSIONS		DRWN: PKH	2022/05/23
		APPR: SCHIEN	2022/07/07
THIRD ANGLE PROJECTION	DRAWING	SERIES	MATERIAL NUMBER
	D-SIZE	74750	SEE P/N TABLE
		CUSTOMER	SHEET NUMBER
			1 OF 8

**molex**

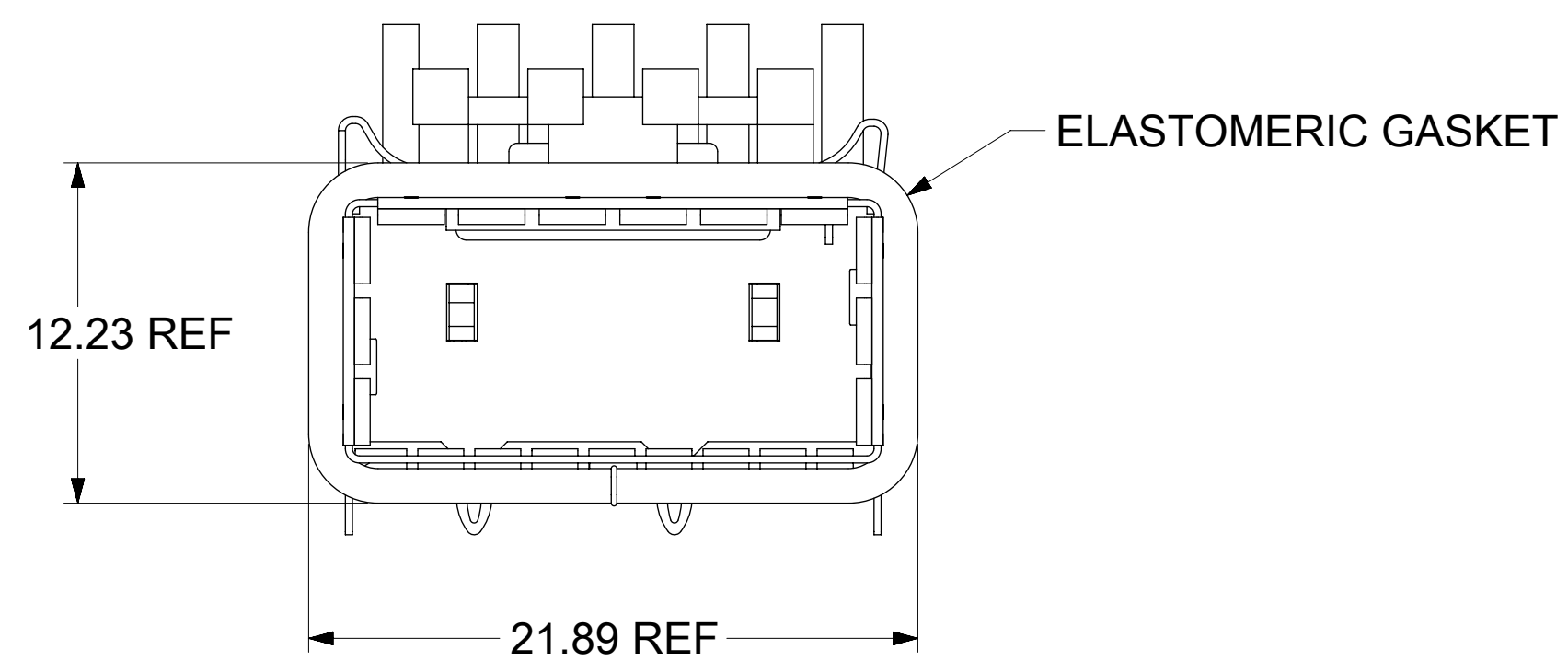
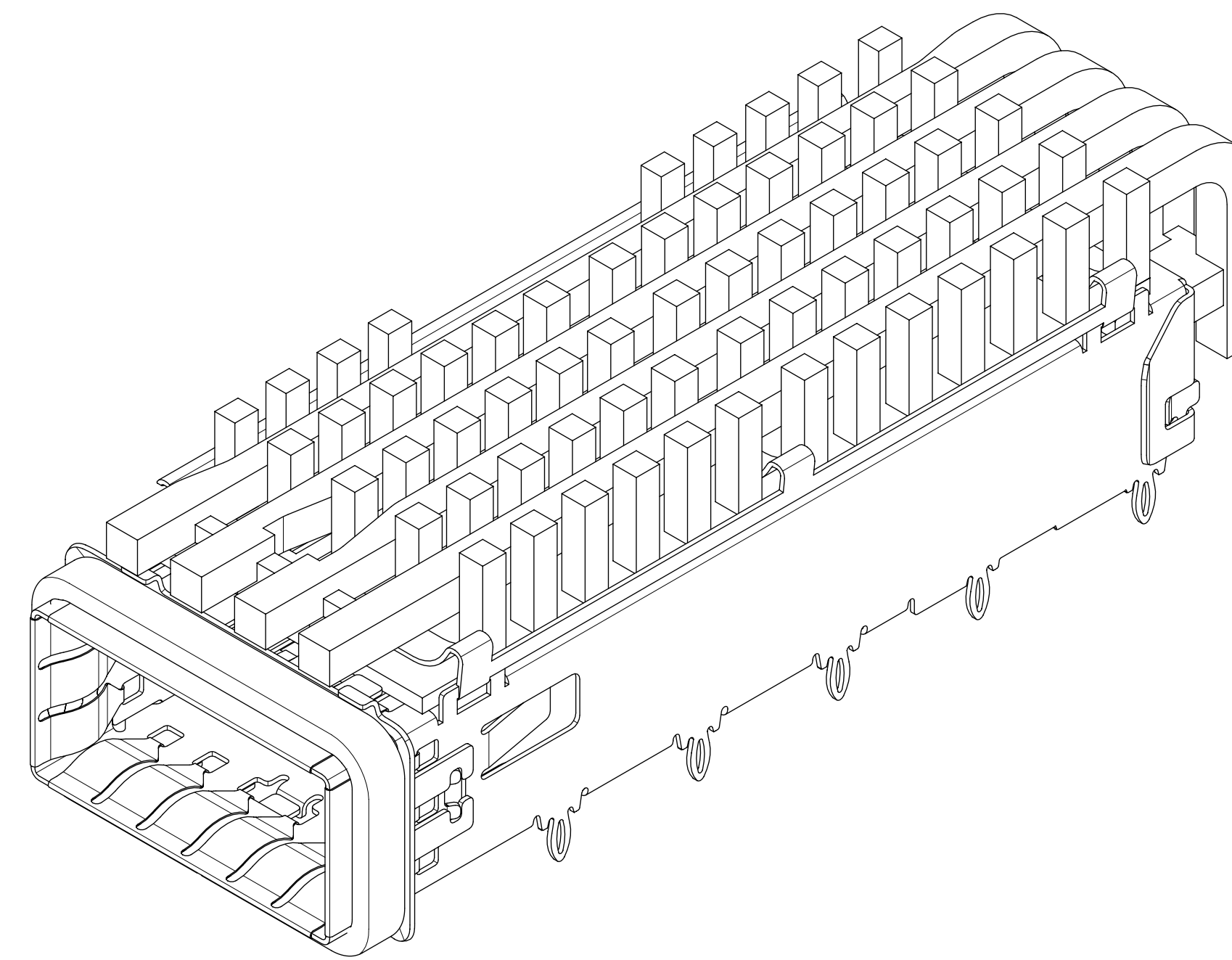
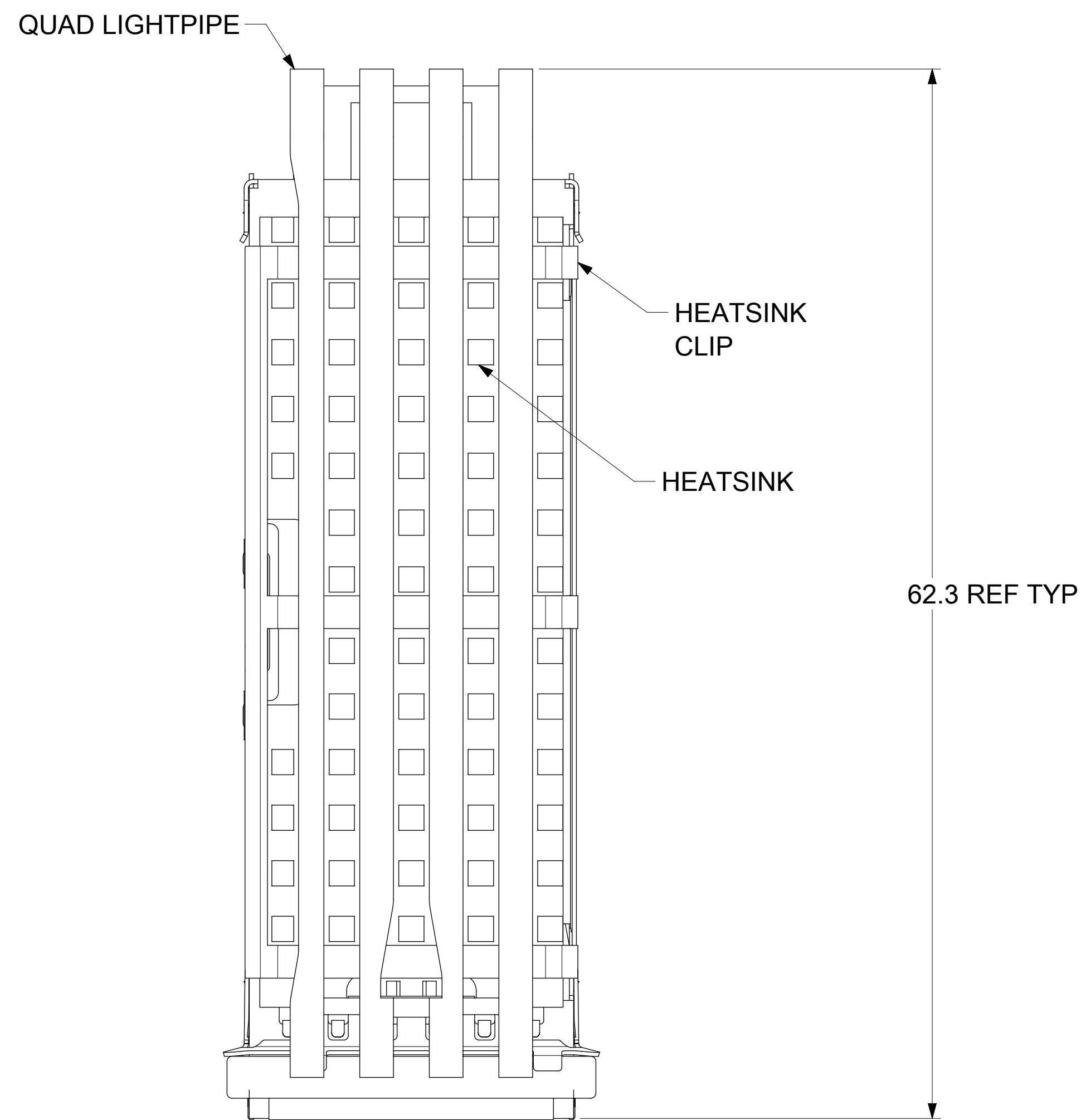
QSFP+ 1X1 CAGE ASSEMBLY 2RL  
W/ ELASTOMERIC GASKET, QUAD LP, SUS SPRING FINGER & CUSTOM HS

PRODUCT CUSTOMER DRAWING

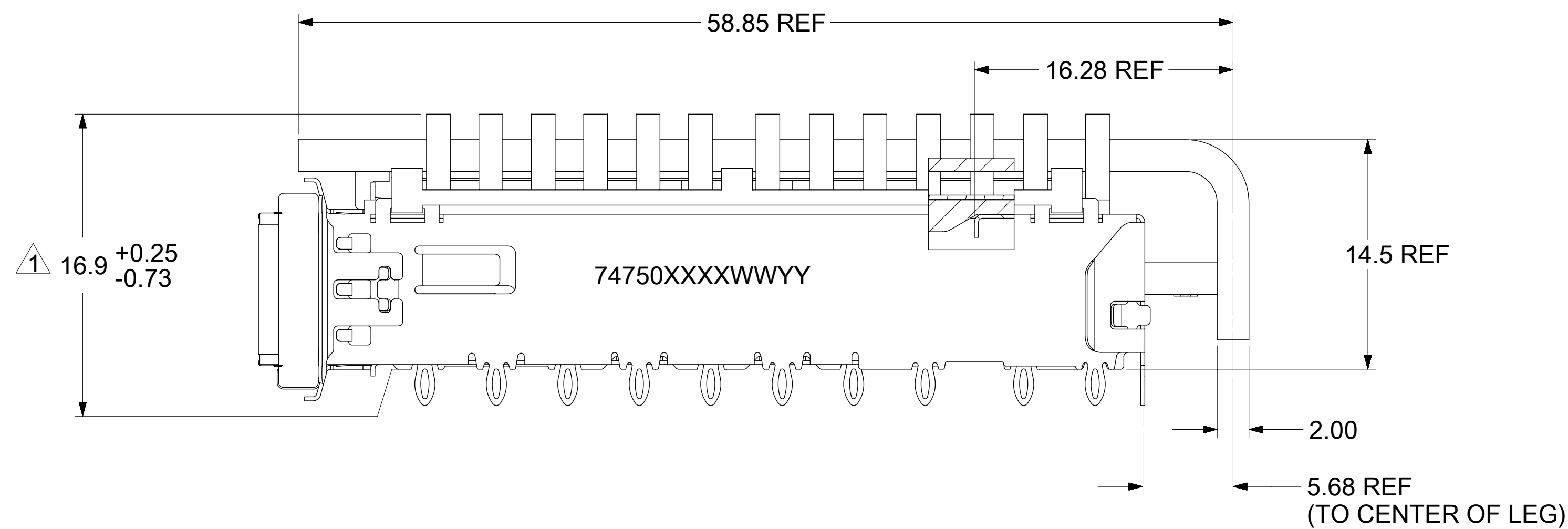
DOCUMENT NUMBER	DOC TYPE	DOC PART	REVISION
747503601	PSD	ASY	A

# CAGE ASSEMBLY

747503601 SHOWN



GASKET FRAME HAS BEEN REMOVED FOR CLARITY



HEIGHT OF HEATSINK WITH MODULE INSERTED.  
DIMENSION MAY BE LESS DUE TO MODULE AND HEATSINK VARIATIONS.

THIS DRAWING CONTAINS INFORMATION THAT IS PROPRIETARY TO MOLEX ELECTRONIC TECHNOLOGIES, LLC AND SHOULD NOT BE USED WITHOUT WRITTEN PERMISSION									
DIMENSION UNITS		SCALE		CURRENT REV DESC: SEE REVISION TABLE					
mm		4:1							
GENERAL TOLERANCES (UNLESS SPECIFIED)									
ANGULAR TOL ± 1.0°				EC NO: 712623					
4 PLACES ±				DRWN: PKH 2022/05/23					
3 PLACES ±				CHK'D: VISHNM2 2022/06/29					
2 PLACES ± 0.13				APPR: SCHIEN 2022/07/07					
1 PLACE ± 0.25				INITIAL REVISION:					
0 PLACES ±				DRWN: PKH 2022/05/23					
				APPR: SCHIEN 2022/07/07					
DRAFT WHERE APPLICABLE MUST REMAIN WITHIN DIMENSIONS				THIRD ANGLE PROJECTION		DRAWING		SERIES	
						D-SIZE		74750	
				MATERIAL NUMBER		CUSTOMER		SHEET NUMBER	
				747503601		SEE P/N TABLE		2 OF 8	

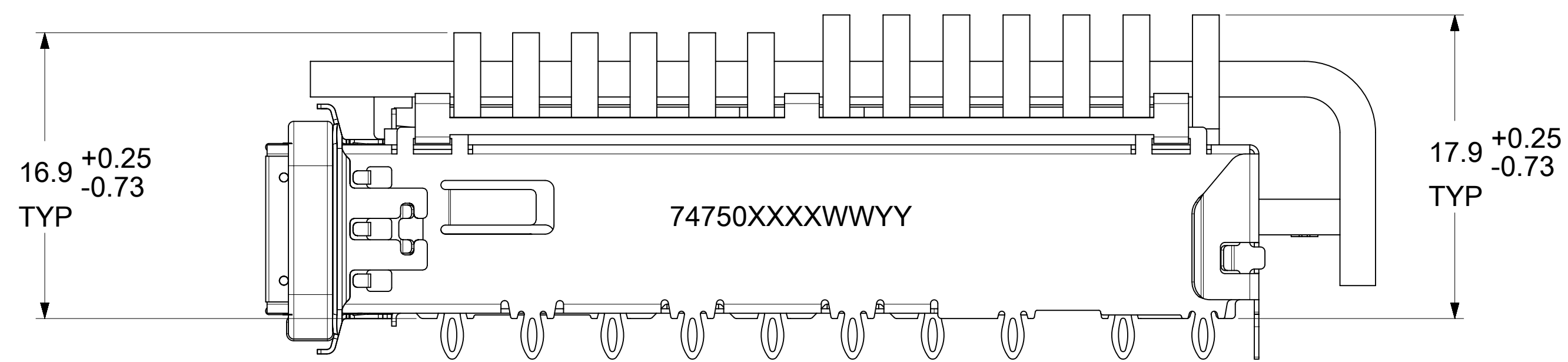
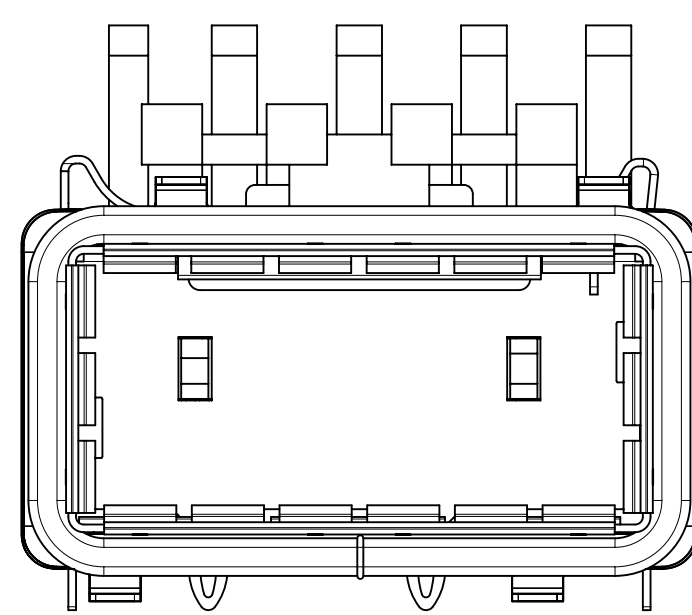
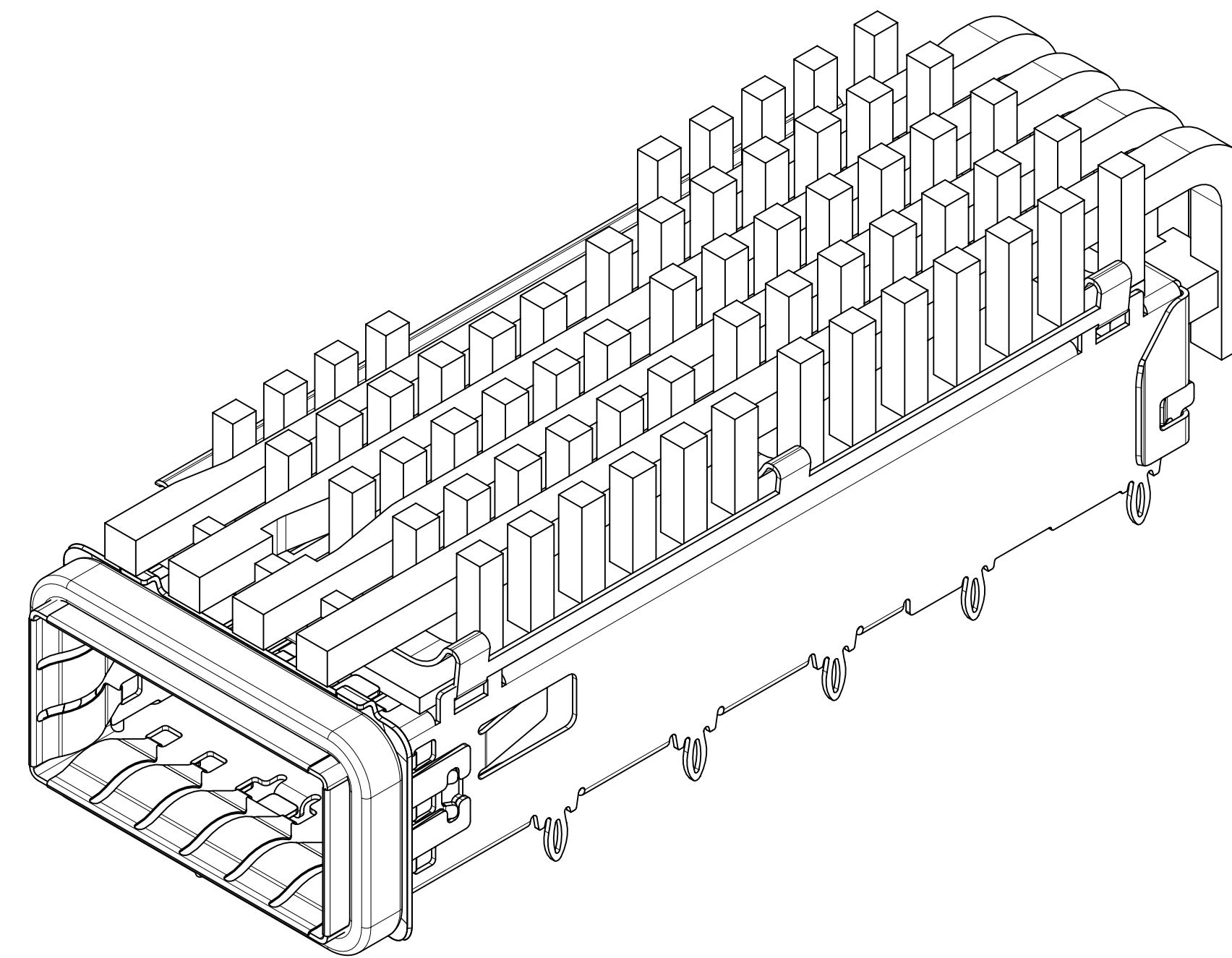
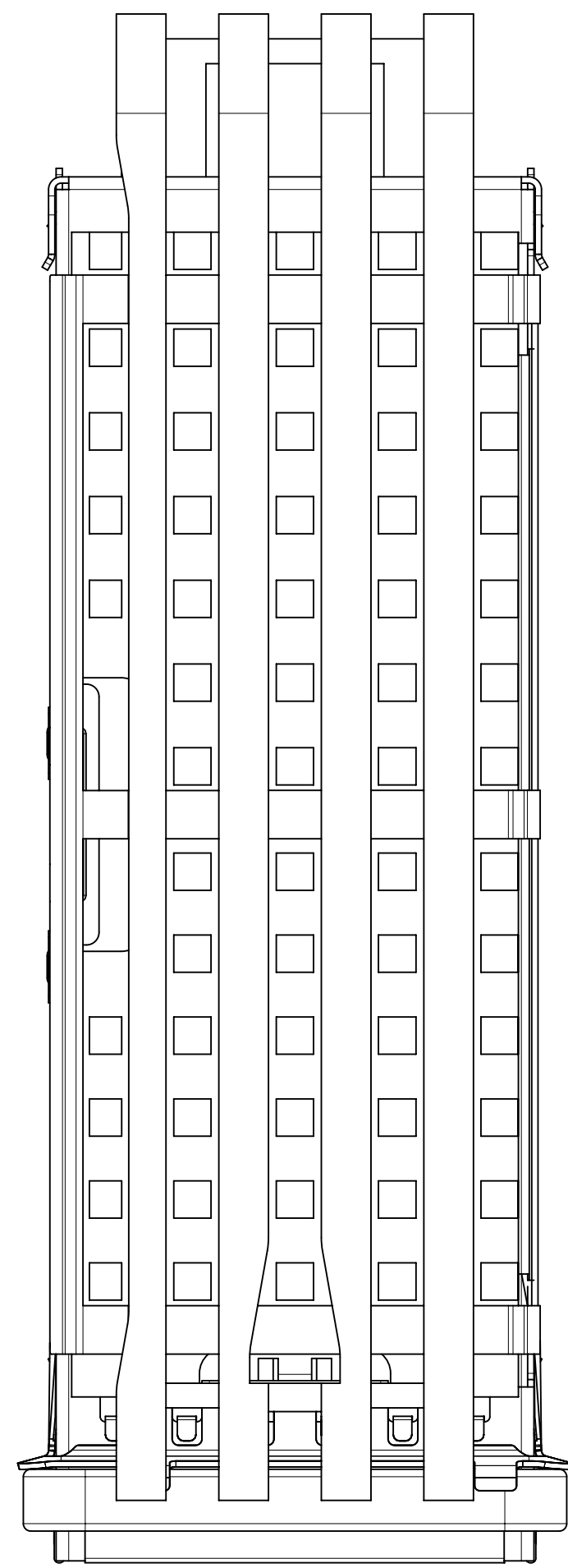
**molex**

QSFP+ 1X1 CAGE ASSEMBLY 2RL  
W/ ELASTOMERIC GASKET, QUAD LP, SUS SPRING  
FINGER & CUSTOM HS

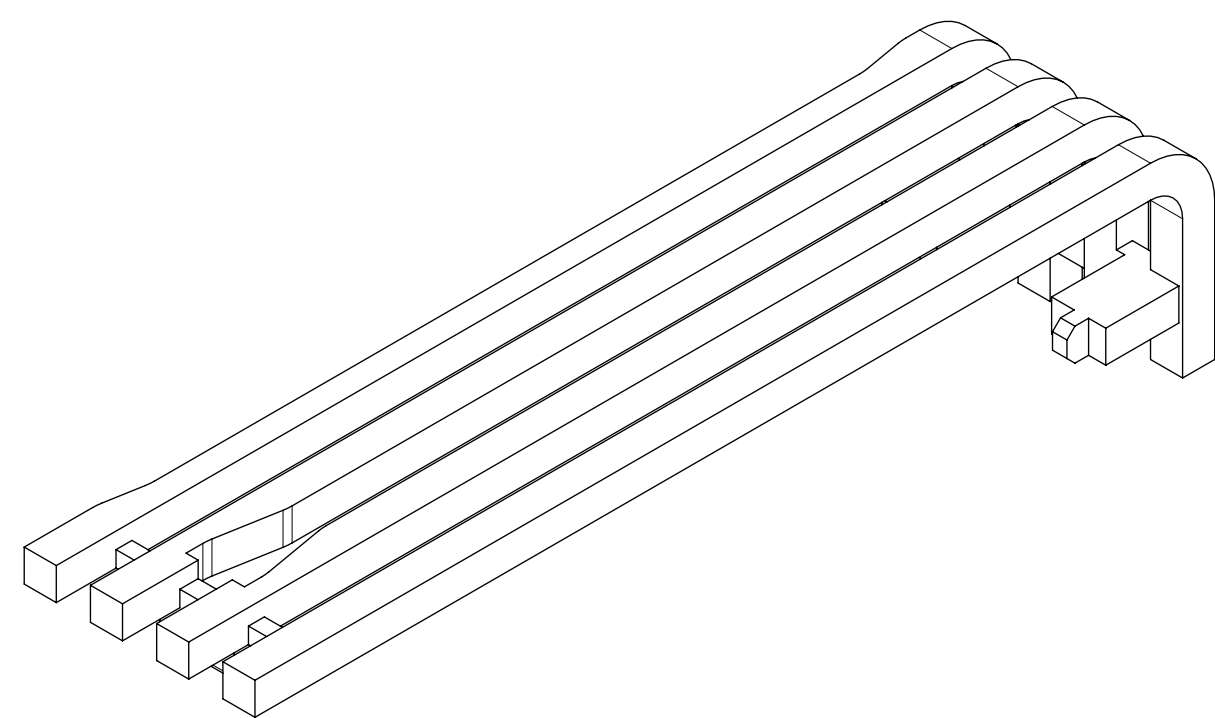
PRODUCT CUSTOMER DRAWING

DOCUMENT NUMBER	DOC TYPE	DOC PART	REVISION
747503601	PSD	ASY	A

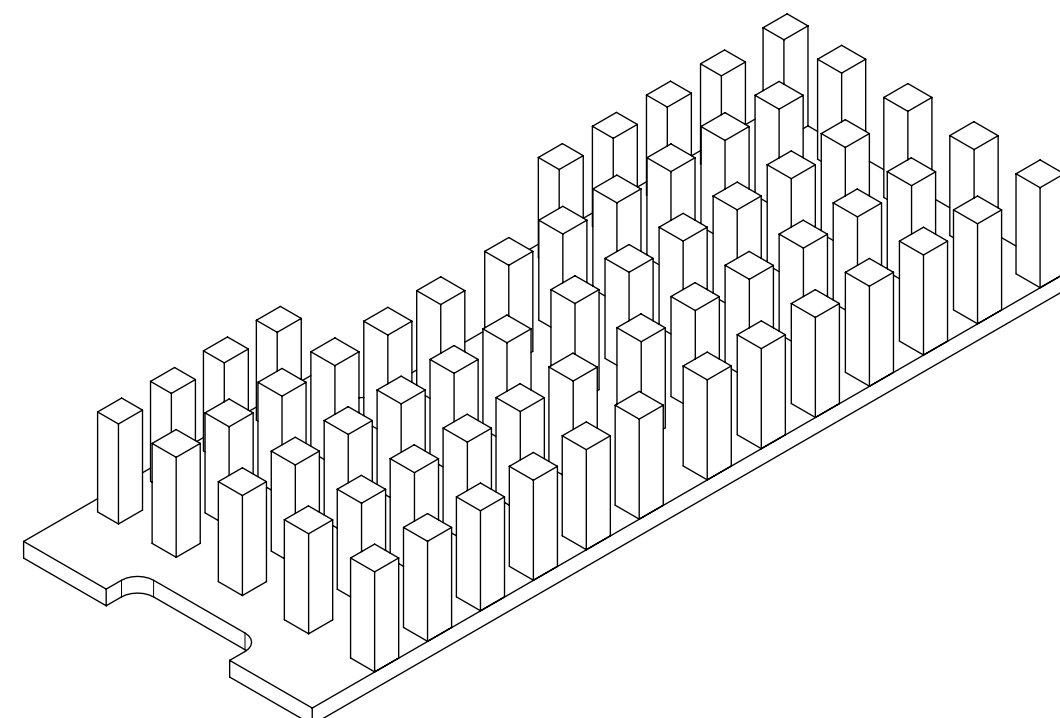
747503600 SHOWN



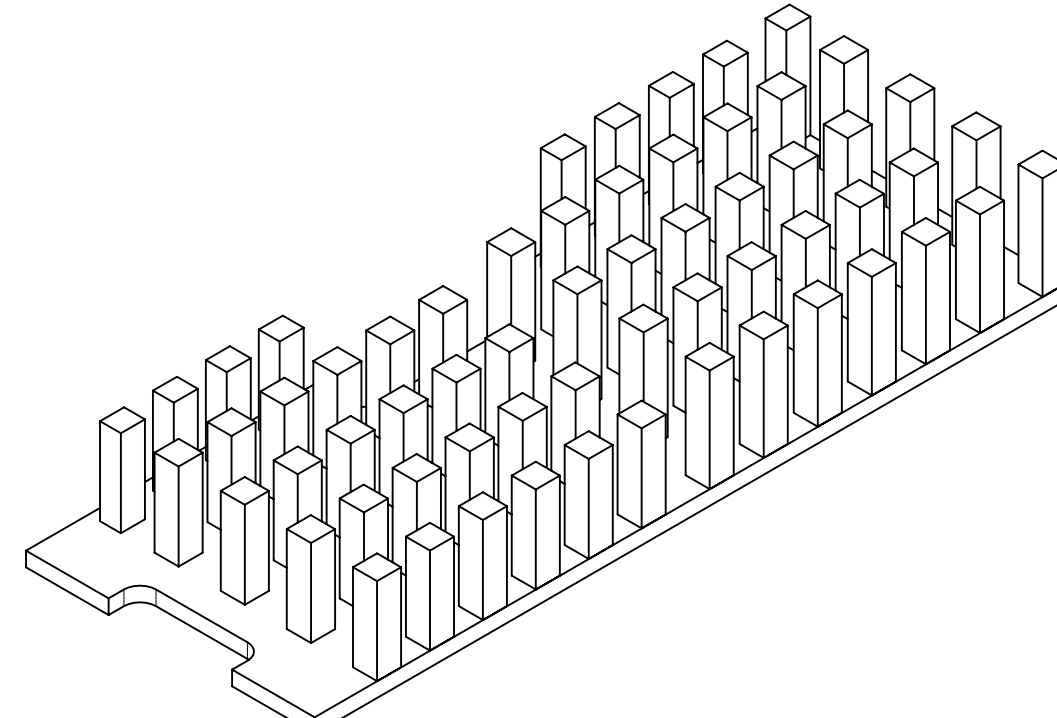
QUAD LIGHT PIPE



CUSTOM HEATSINK



CUSTOM HEATSINK



THIS DRAWING CONTAINS INFORMATION THAT IS PROPRIETARY TO MOLEX ELECTRONIC TECHNOLOGIES, LLC AND SHOULD NOT BE USED WITHOUT WRITTEN PERMISSION			
DIMENSION UNITS	SCALE	CURRENT REV DESC: SEE REVISION TABLE	
mm	5:1		
GENERAL TOLERANCES (UNLESS SPECIFIED)			
ANGULAR TOL	± 1.0°		
4 PLACES	±	EC NO: 712623	
3 PLACES	±	DRWN: PKH	2022/05/23
2 PLACES	± 0.13	CHK'D: VISHNM2	2022/06/29
1 PLACE	± 0.25	APPR: SCHIEN	2022/07/07
0 PLACES	±	INITIAL REVISION:	
DRAFT WHERE APPLICABLE MUST REMAIN WITHIN DIMENSIONS		DRWN: PKH	2022/05/23
		APPR: SCHIEN	2022/07/07
THIRD ANGLE PROJECTION	DRAWING	SERIES	MATERIAL NUMBER
		D-SIZE 74750	SEE P/N TABLE
		CUSTOMER	SHEET NUMBER
			3 OF 8

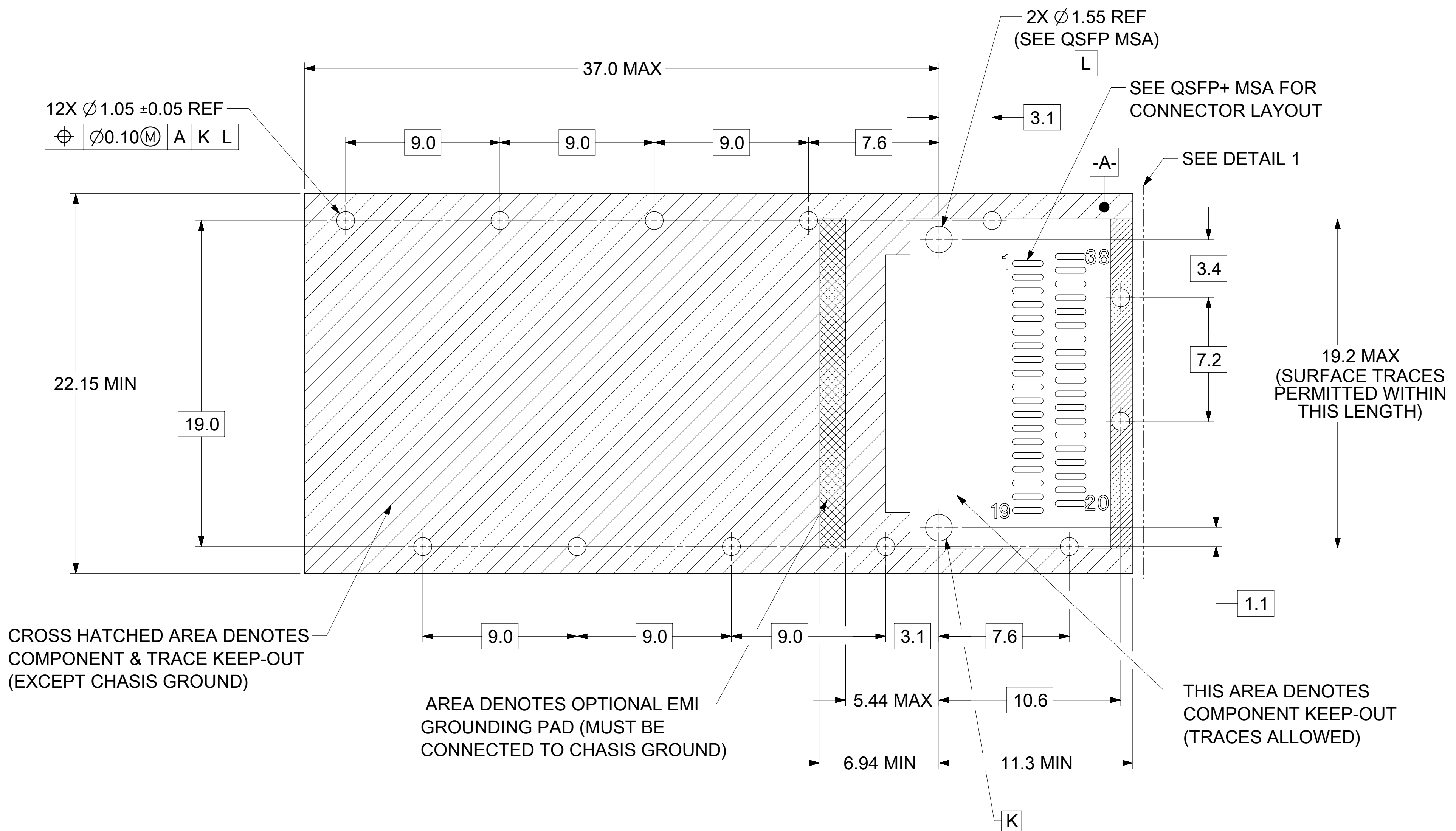
**molex**

QSFP+ 1X1 CAGE ASSEMBLY 2RL  
W/ ELASTOMERIC GASKET, QUAD LP, SUS SPRING  
FINGER & CUSTOM HS

PRODUCT CUSTOMER DRAWING

DOCUMENT NUMBER	DOC TYPE	DOC PART	REVISION
747503601	PSD	ASY	A

# PCB LAYOUT FOR SINGLE SIDED APPLICATIONS



CROSS HATCHED AREA DENOTES COMPONENT & TRACE KEEP-OUT (EXCEPT CHASSIS GROUND)

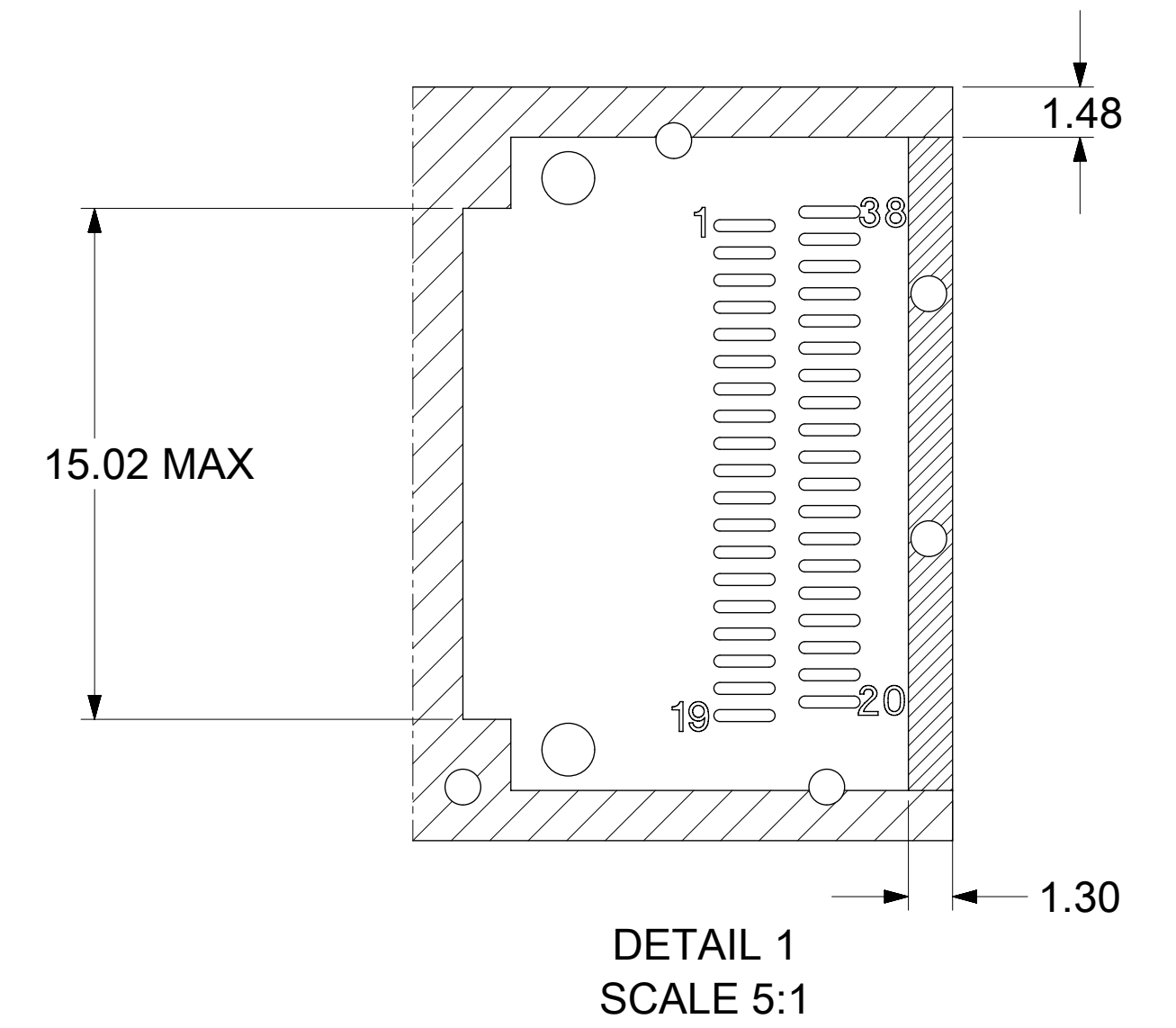
AREA DENOTES OPTIONAL EMI GROUNDING PAD (MUST BE CONNECTED TO CHASSIS GROUND)

THIS AREA DENOTES COMPONENT KEEP-OUT (TRACES ALLOWED)

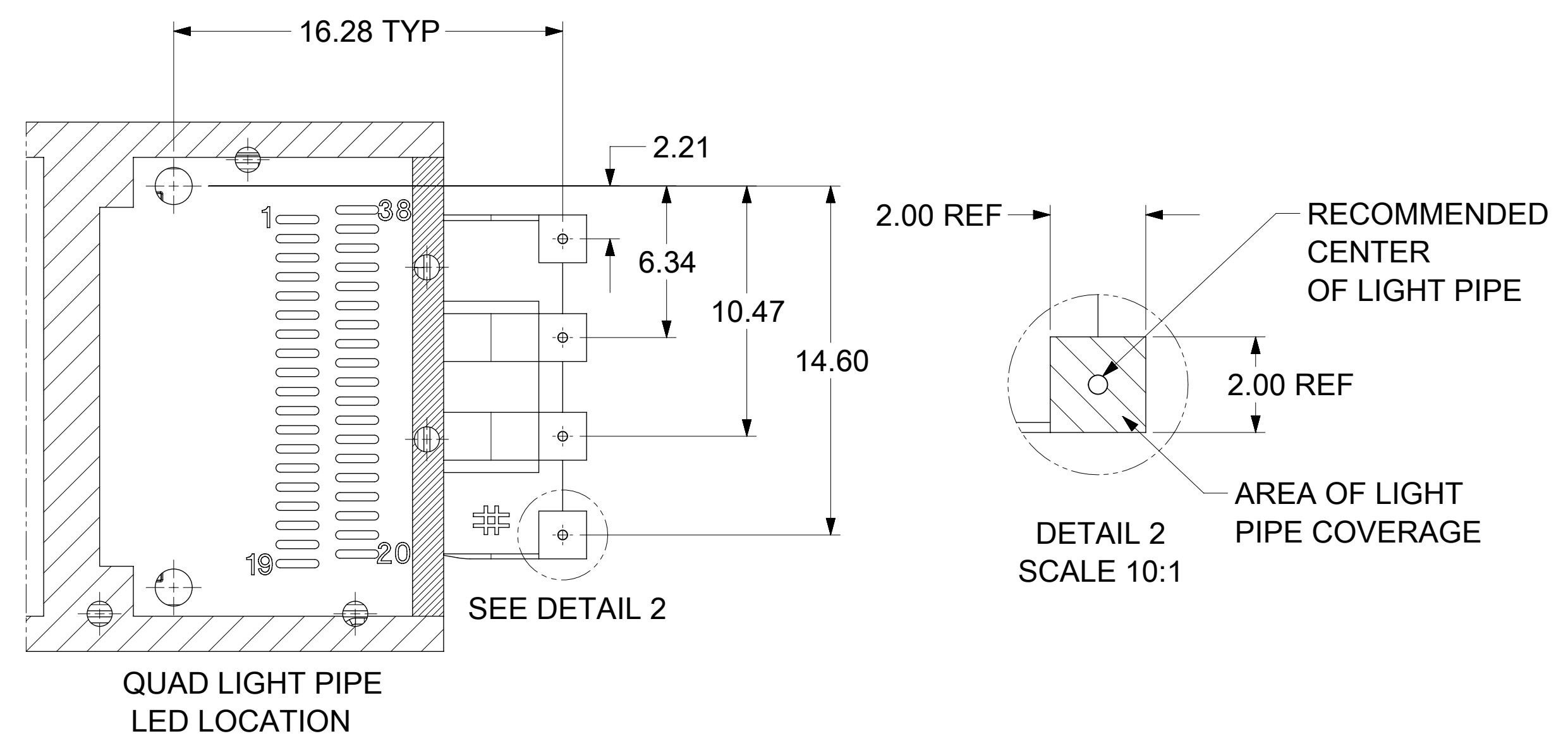
## NOTES:

- DATUM -A- IS TOP SURFACE OF HOST BOARD PER MSA
- FINISHED HOLE SIZE (AFTER PLATING)
- DATUM -K- IS HOST BOARD THRU HOLE #1 TO ACCEPT CONNECTOR GUIDE POST PER MSA
- DATUM -L- IS HOST BOARD THRU HOLE #2 TO ACCEPT CONNECTOR GUIDE POST PER MSA
- SINGLE SIDED BOARD THICKNESS:  
NOMINAL: 1.57mm  
MINIMUM: 1.44mm

## HOST CONNECTOR DETAIL



## FOR CAGE ASSEMBLIES WITH LIGHT PIPES



QUAD LIGHT PIPE LED LOCATION

PARTIAL 1 SCALE 4:1

THIS DRAWING CONTAINS INFORMATION THAT IS PROPRIETARY TO MOLEX ELECTRONIC TECHNOLOGIES, LLC AND SHOULD NOT BE USED WITHOUT WRITTEN PERMISSION									
DIMENSION UNITS	SCALE	CURRENT REV DESC: SEE REVISION TABLE							
mm	6:1								
GENERAL TOLERANCES (UNLESS SPECIFIED)									
ANGULAR TOL	± 1.0°								
4 PLACES	±	EC NO: 712623							
3 PLACES	±	DRWN: PKH 2022/05/23							
2 PLACES	± 0.13	CHK'D: VISHNM2 2022/06/29							
1 PLACE	± 0.25	APPR: SCHIEN 2022/07/07							
0 PLACES	±	INITIAL REVISION:							
DRAFT WHERE APPLICABLE MUST REMAIN WITHIN DIMENSIONS		THIRD ANGLE PROJECTION		DRAWING		SERIES		MATERIAL NUMBER	
		D-SIZE		74750		SEE P/N TABLE		CUSTOMER	
DOCUMENT STATUS		P1		RELEASE DATE		2022/07/07 13:29:40		DOCUMENT NUMBER	
								747503601	
								DOC TYPE	
								PSD	
								DOC PART	
								ASY	
								REVISION	
								A	
								SHEET NUMBER	
								4 OF 8	

**molex**

QSFP+ 1X1 CAGE ASSEMBLY 2RL  
W/ ELASTOMERIC GASKET, QUAD LP, SUS SPRING  
FINGER & CUSTOM HS

PRODUCT CUSTOMER DRAWING

DOCUMENT NUMBER

747503601

PSD ASY A

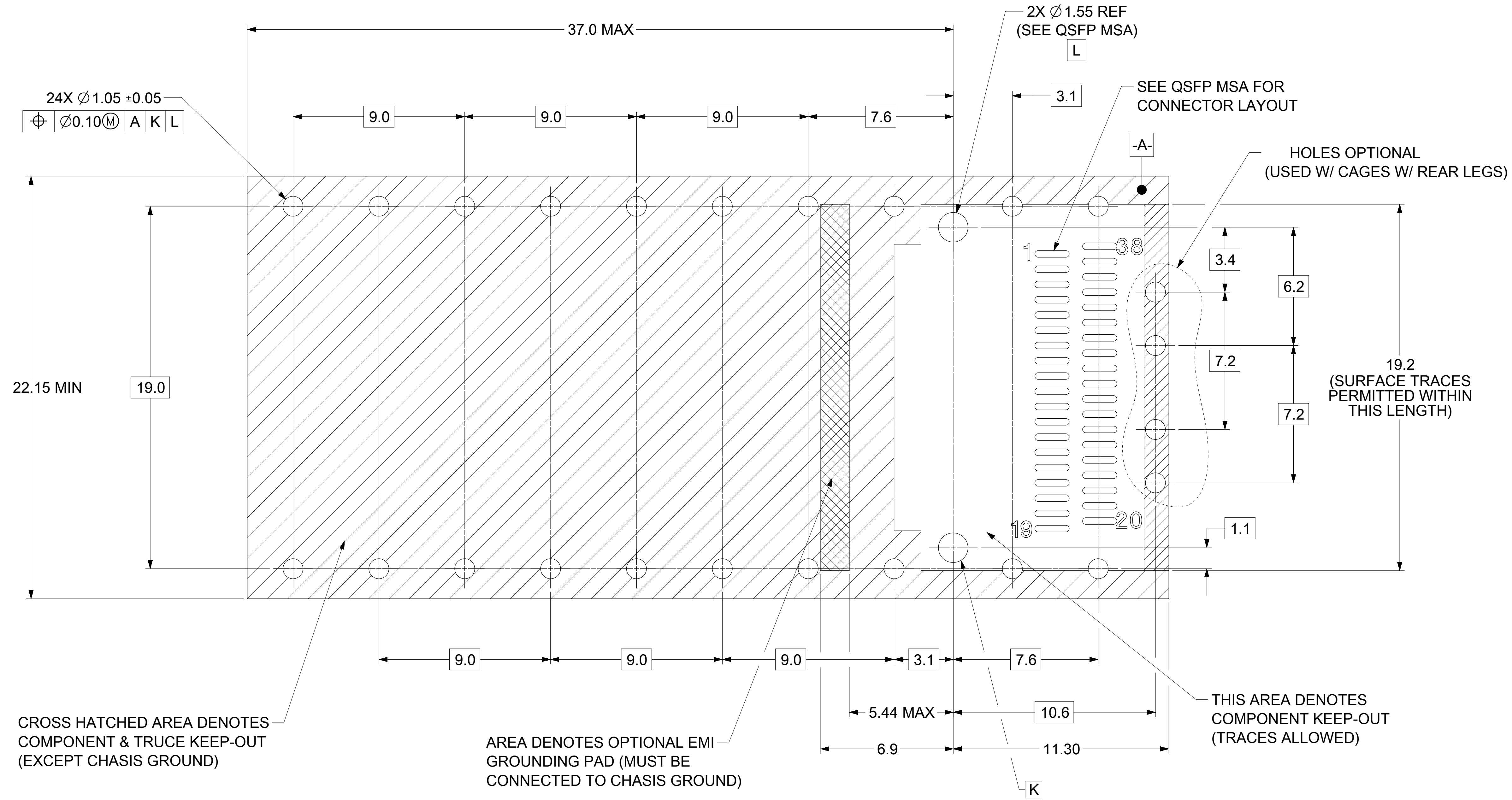
MATERIAL NUMBER

SEE P/N TABLE

SHEET NUMBER

4 OF 8

# PCB LAYOUT FOR BELLY-TO-BELLY APPLICATIONS

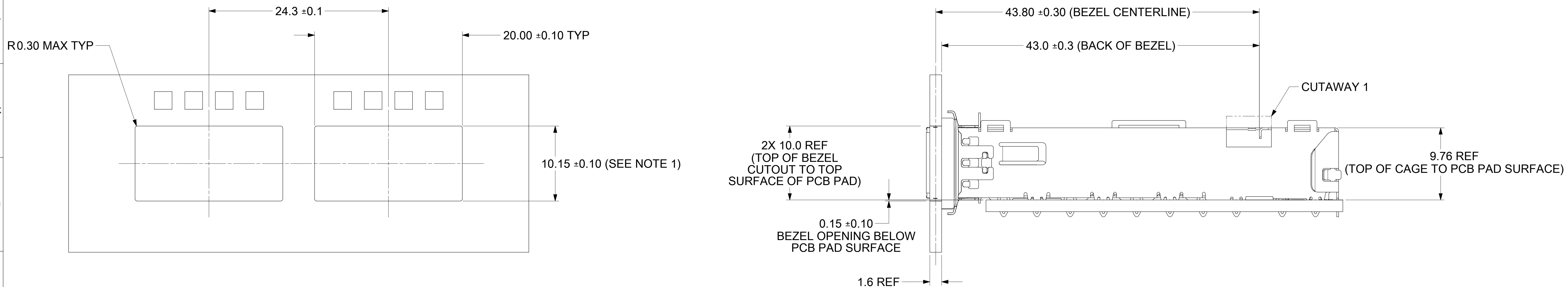


NOTE:  
FOR RECOMENDED CENTER  
OF LIGHT PIPES,  
SEE SHEET 4

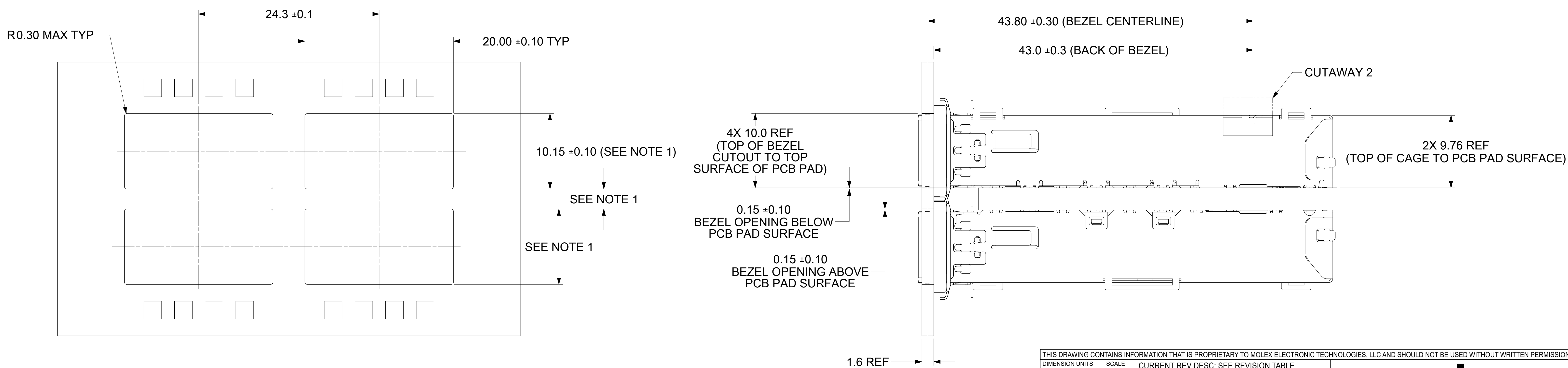
- NOTES:
- DATUM -A- IS TOP SURFACE OF HOST BOARD PER MSA
  - FINISHED HOLE SIZE (AFTER PLATING)
  - DATUM -K- IS HOST BOARD THRU HOLE #1 TO ACCEPT CONNECTOR GUIDE POST PER MSA
  - DATUM -L- IS HOST BOARD THRU HOLE #2 TO ACCEPT CONNECTOR GUIDE POST PER MSA
  - BELLY TO BELLY BOARD THICKNESS:  
NOMINAL: 2.90mm  
MINIMUM: 2.48mm

THIS DRAWING CONTAINS INFORMATION THAT IS PROPRIETARY TO MOLEX ELECTRONIC TECHNOLOGIES, LLC AND SHOULD NOT BE USED WITHOUT WRITTEN PERMISSION									
DIMENSION UNITS		SCALE		CURRENT REV DESC: SEE REVISION TABLE					
mm		8:1		<p><b>molex</b></p> <p>QSFP+ 1X1 CAGE ASSEMBLY 2RL W/ ELASTOMERIC GASKET, QUAD LP, SUS SPRING FINGER &amp; CUSTOM HS</p> <p>PRODUCT CUSTOMER DRAWING</p> <p>DOCUMENT NUMBER: <b>747503601</b>    DOC TYPE: PSD    DOC PART: ASY    REVISION: A</p> <p>DRAFT WHERE APPLICABLE MUST REMAIN WITHIN DIMENSIONS</p> <p>THIRD ANGLE PROJECTION</p> <p>DRAWING: <b>D-SIZE</b>    SERIES: <b>74750</b>    MATERIAL NUMBER: SEE P/N TABLE    CUSTOMER:    SHEET NUMBER: 5 OF 8</p>					
GENERAL TOLERANCES (UNLESS SPECIFIED)									
ANGULAR TOL ± 1.0°									
4 PLACES ±		EC NO: 712623							
3 PLACES ±		DRWN: PKH    2022/05/23							
2 PLACES ± 0.13		CHK'D: VISHNM2    2022/06/29							
1 PLACE ± 0.25		APPR: SCHIEN    2022/07/07							
0 PLACES ±		INITIAL REVISION:							
DRWN: PKH    2022/05/23		DRWN: PKH    2022/05/23							
APPR: SCHIEN    2022/07/07		APPR: SCHIEN    2022/07/07							

## BEZEL AND BOARD POSITION DIMENSIONS FOR SINGLE SIDE MOUNTING



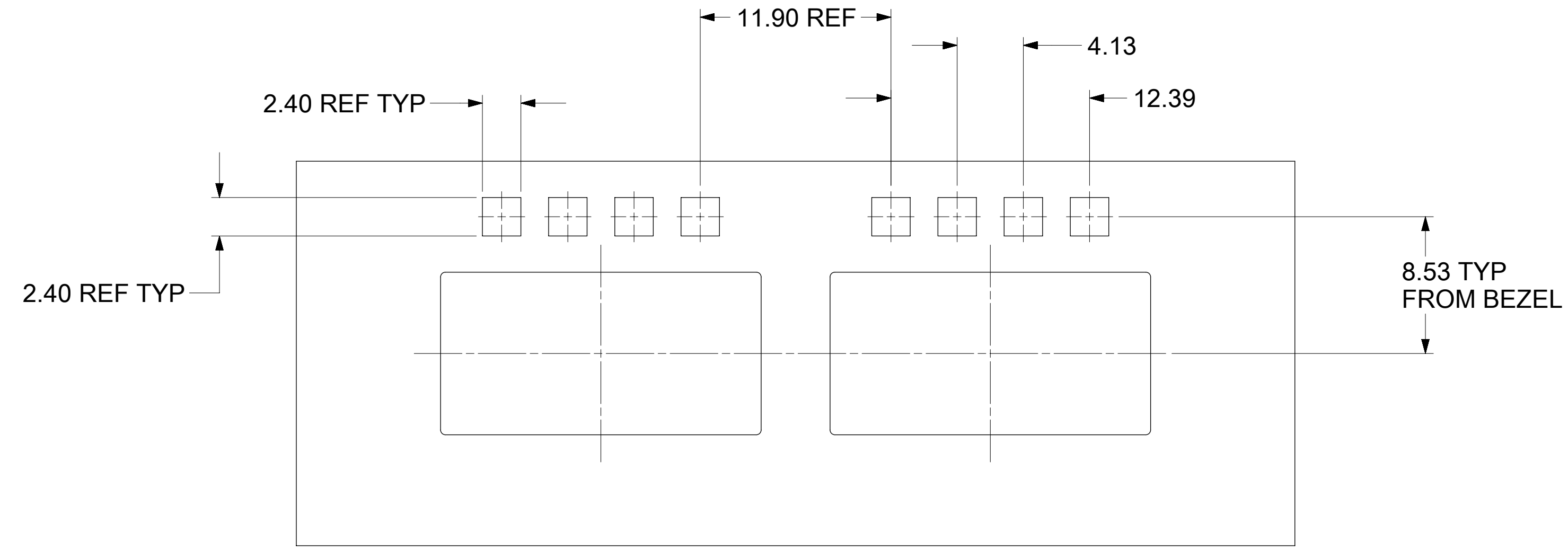
## BEZEL AND BOARD POSITION DIMENSIONS FOR BELLY TO BELLY MOUNTING



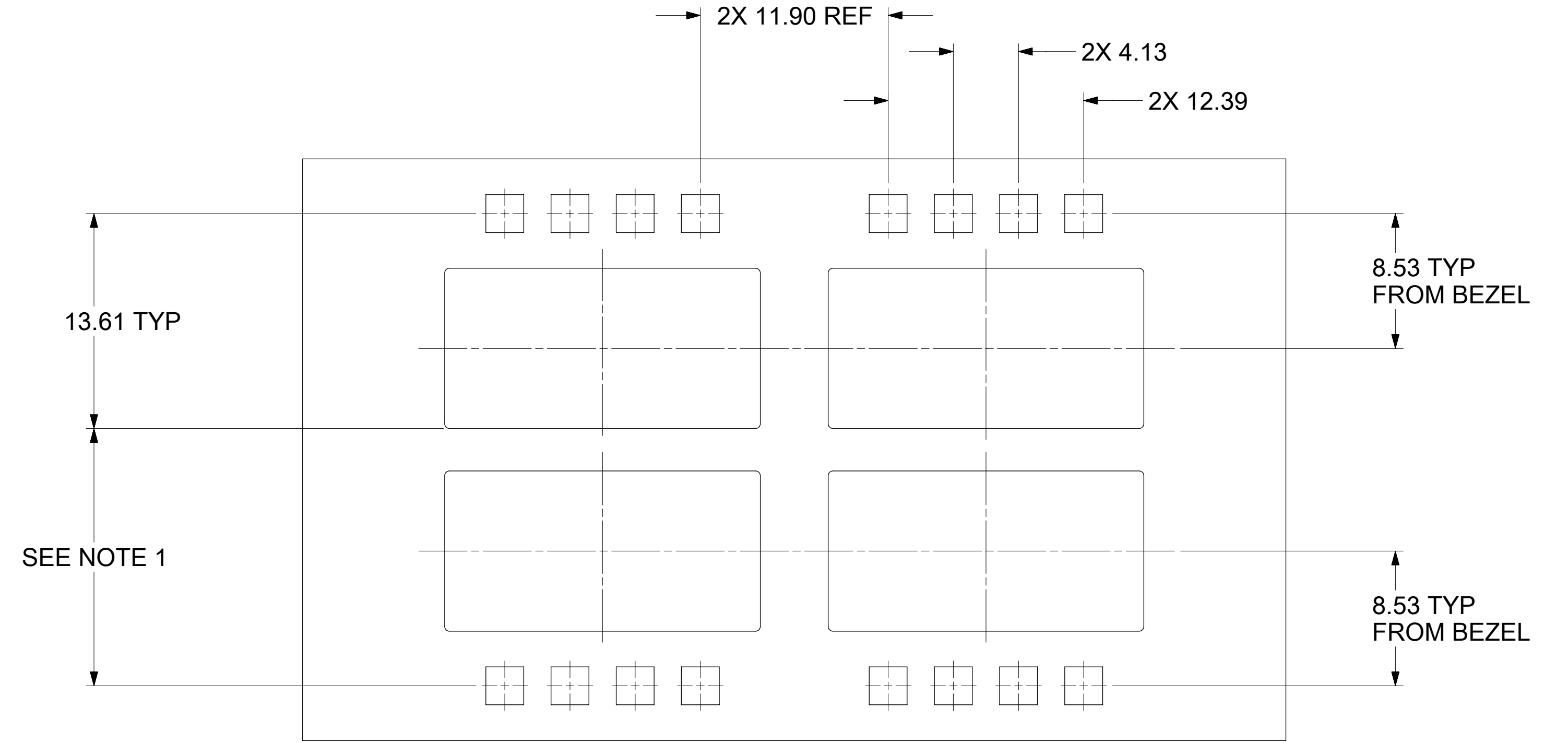
NOTE:  
1. PCB THICKNESS VARIATION MUST BE CONSIDERED WHEN DETERMINING  
BEZEL OPENING, SIZE, AND LOCATION.

THIS DRAWING CONTAINS INFORMATION THAT IS PROPRIETARY TO MOLEX ELECTRONIC TECHNOLOGIES, LLC AND SHOULD NOT BE USED WITHOUT WRITTEN PERMISSION																							
DIMENSION UNITS	SCALE	CURRENT REV DESC: SEE REVISION TABLE																					
mm	4:1	<table style="width: 100%; border: none;"> <tr> <td style="width: 50%;">EC NO: 712623</td> <td style="width: 50%; text-align: right;">2022/05/23</td> </tr> <tr> <td>DRWN: PKH</td> <td style="text-align: right;">2022/06/29</td> </tr> <tr> <td>CHK'D: VISHNM2</td> <td style="text-align: right;">2022/07/07</td> </tr> <tr> <td>APPR: SCHIEN</td> <td style="text-align: right;">2022/07/07</td> </tr> <tr> <td colspan="2">INITIAL REVISION:</td> </tr> <tr> <td>DRWN: PKH</td> <td style="text-align: right;">2022/05/23</td> </tr> <tr> <td>APPR: SCHIEN</td> <td style="text-align: right;">2022/07/07</td> </tr> </table>								EC NO: 712623	2022/05/23	DRWN: PKH	2022/06/29	CHK'D: VISHNM2	2022/07/07	APPR: SCHIEN	2022/07/07	INITIAL REVISION:		DRWN: PKH	2022/05/23	APPR: SCHIEN	2022/07/07
EC NO: 712623	2022/05/23																						
DRWN: PKH	2022/06/29																						
CHK'D: VISHNM2	2022/07/07																						
APPR: SCHIEN	2022/07/07																						
INITIAL REVISION:																							
DRWN: PKH	2022/05/23																						
APPR: SCHIEN	2022/07/07																						
GENERAL TOLERANCES (UNLESS SPECIFIED)																							
ANGULAR TOL	± 1.0°																						
4 PLACES	±																						
3 PLACES	±																						
2 PLACES	± 0.13																						
1 PLACE	± 0.25																						
0 PLACES	±																						
DRAFT WHERE APPLICABLE MUST REMAIN WITHIN DIMENSIONS		THIRD ANGLE PROJECTION	DRAWING	SERIES	MATERIAL NUMBER	CUSTOMER	DOCUMENT NUMBER	DOC TYPE	DOC PART	REVISION													
		D-SIZE	74750	SEE P/N TABLE	747503601	PSD	ASY	A															
				SHEET NUMBER	6 OF 8																		

# BEZEL LIGHT PIPE CUTOUT POSITION DIMENSIONS FOR SINGLE SIDE MOUNTING



# BEZEL LIGHT PIPE CUTOUT POSITION DIMENSIONS FOR BELLY-TO-BELLY MOUNTING



NOTE:  
1. PCB THICKNESS VARIATION MUST BE CONSIDERED WHEN DETERMINING BEZEL OPENING, SIZE, AND LOCATION.

THIS DRAWING CONTAINS INFORMATION THAT IS PROPRIETARY TO MOLEX ELECTRONIC TECHNOLOGIES, LLC AND SHOULD NOT BE USED WITHOUT WRITTEN PERMISSION											
DIMENSION UNITS		SCALE		CURRENT REV DESC: SEE REVISION TABLE						<b>molex</b>	
mm		4:1									
GENERAL TOLERANCES (UNLESS SPECIFIED)				EC NO: 712623							
ANGULAR TOL ± 1.0°				DRWN: PKH				2022/05/23			
4 PLACES ±				CHK'D: VISHNM2				2022/06/29			
3 PLACES ±				APPR: SCHIEN				2022/07/07			
2 PLACES ± 0.13				INITIAL REVISION:							
1 PLACE ± 0.25				DRWN: PKH				2022/05/23			
0 PLACES ±				APPR: SCHIEN				2022/07/07			
DRAFT WHERE APPLICABLE MUST REMAIN WITHIN DIMENSIONS				THIRD ANGLE PROJECTION		DRAWING		SERIES		DOCUMENT NUMBER	
						D-SIZE		74750		747503601	
								MATERIAL NUMBER		CUSTOMER	
								SEE P/N TABLE		SHEET NUMBER	
										7 OF 8	

