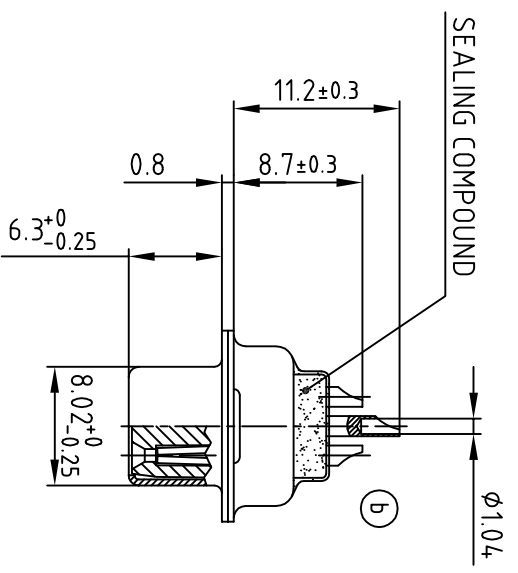
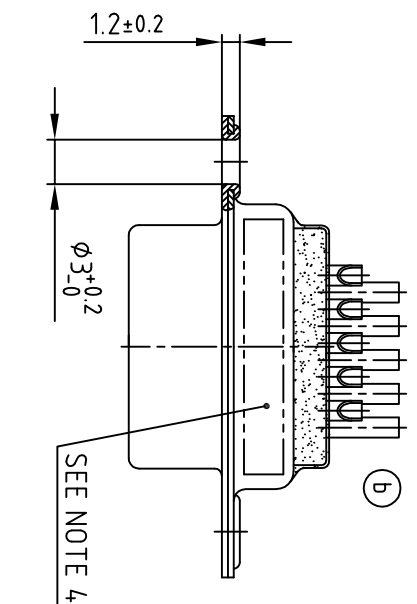
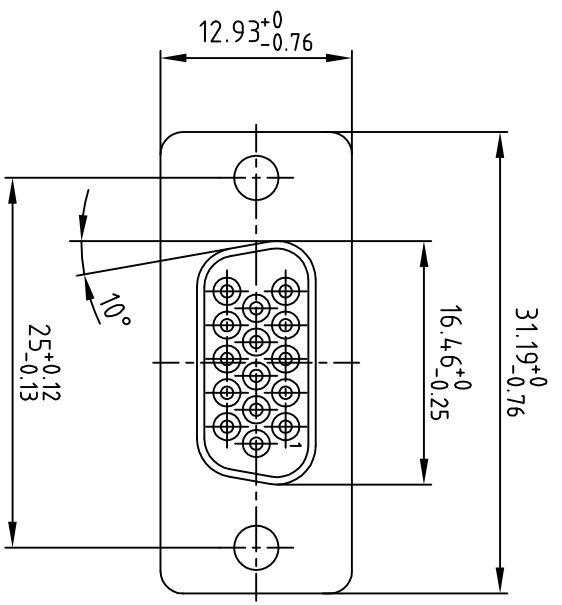


used for: D-SUB HD



Directive 2002/95/EC RoHS compliant

- NOTES:
1. METALSHELLS: COPPER ALLOY; min. 320µin TIN
 2. INSULATORS: PBT GF UL 94 V-0, BLACK
 3. CONTACTS: COPPER ALLOY
PLATING: GOLD FLASH over NICKEL
SOLDER CUP ACCEPTS CABLE AWG 22
 4. CONNECTOR IS PART MARKED: [4HDD15SAM99A10X] [CONEC] [ABC]

APPROVAL # FREIGABE # DEBLOCAGE # AUTOR/ZACION	APPROVAL # FREIGABE # DEBLOCAGE # AUTOR/ZACION # APPROVAL
CUSTOMER APPROVAL DATE:	
NAME:	TITLE:
COMPANY NAME:	
APPROVAL # FREIGABE # DEBLOCAGE # AUTOR/ZACION	APPROVAL # FREIGABE # DEBLOCAGE # AUTOR/ZACION # APPROVAL

THIS DRAWING MAY NOT BE COPIED OR REPRODUCED IN ANY WAY, AND MAY NOT BE PASSED ON TO A THIRD PARTY WITHOUT WRITTEN PERMISSION.
OWNERSHIP AND COPYRIGHT OF CONEC GmbH
DO NOT ALTER CAD DRAWING BY HAND

rev.	description	date	name
2 x b	Ä3900	16.02.2011	Gifnow
a	Origin		

tolerance	dim. in mm	name
2002		Pareil
drawn	28.10.	Kühle
appd.	28.10.	
norm.		
d-old		

scale: 2:1	SEE NOTES
material:	
title: D-SUB HD FEMALE	
15pos. Solder cup	
dwg no: 18K2A039A	AutoCAD 2000
part no: 4HDD15SAM99A10X	DIN-A
	3
	Sh: 1/1

