

## Card Edge Connectors 0.150" (3.81mm) Pitch

### Features:

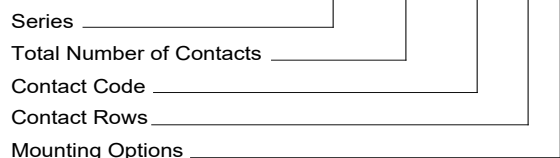
- 0.150" (3.81mm) contact spacing x 0.200" (5.08mm) row spacing
- Accepts 0.062" (1.57mm) nominal thickness P.C. board
- High profile insulator body, 0.600" (15.24mm)
- Contact termination options include P.C. tail, wire wrap and extender board bends
- Single or dual row configurations
- Variety of mounting options
- Accepts in-contact polarizing keys
- RoHS Compliant



### Specifications:

Insulator Material	UL 94V-0 Thermoplastic Polyester, Black Color
Contact Material	Copper Alloy
Contact Plating	Gold Plating on mating area and Tin Plating on tails with Nickel underplating all over
Current Rating	3 amps
Contact Resistance	10 milliohms maximum
Dielectric Withstanding Voltage	1800 V AC rms at sea level between adjacent contacts
Insulation Resistance	5000 megaohms minimum
Operating Temperature	-40°C to +105°C
Insertion Force	16 oz (4.45 N) maximum per contact pair when tested with .070" (1.78mm) thick gauge
Withdrawal Force	1 oz (0.28 N) minimum per contact pair when tested with .054" (1.37mm) thick gauge

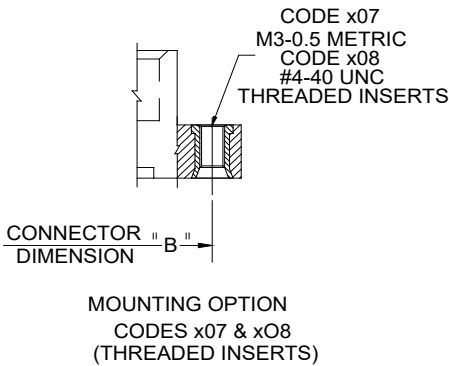
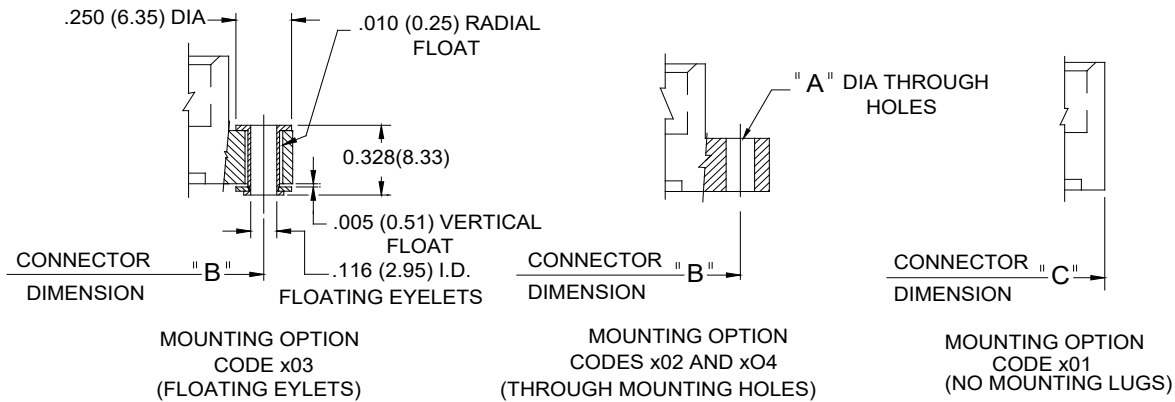
Example Part Number: **379-040-520-208**



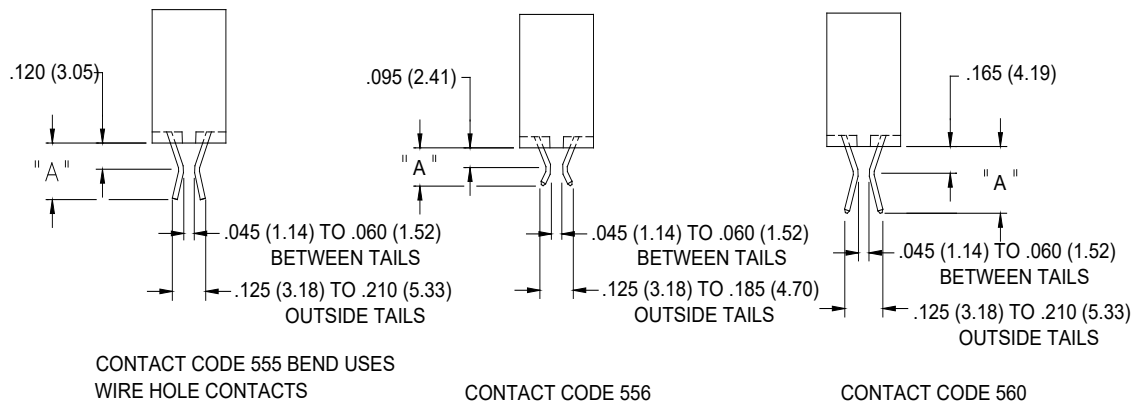
Series:	Contact Code:	Tail Description:	Tail Size:	Tail Length "G":
379	520	P.C. Tail	.030 x .018 (0.76 x 0.46)	.175 (4.45)
<b>Total Number of Contacts:</b>	521	P.C. Tail	.025 Square (0.64 Square)	.150 (3.81)
006, 016, 020, 026 or 032	523	P.C. Tail	.025 Square (0.64 Square)	.390 (9.91)
012, 032, 040, 052 or 064	524	P.C. Tail	.018 Square (0.46 Square)	.175 (4.45)
<b>Contact Rows:</b>	540	Wire Wrap	.025 Square (0.64 Square)	.560 (14.22)
1	541	Wire Wrap	.025 Square (0.64 Square)	.750 (19.05)
<b>Insulator Style:</b>	542	Wire Wrap	.025 Square (0.64 Square)	.645 (16.38)
Single Row	544	Wire Wrap	.050 x .025 (1.27 x 0.64)	.750 (19.05)
Dual Row	555	EXTENDER BOARD BEND	(Code 500 Contacts)	
<b>Mounting Options:</b>	556	EXTENDER BOARD BEND	(Code 520 Contacts)	
01 No Mounting Lug	560	EXTENDER BOARD BEND	(Code 523 Contacts)	
02 Ø.128" (Ø3.25mm) Mounting Holes				
03 Ø.116" (Ø2.95mm) I.D. Floating Eyelets				
04 Ø.156" (Ø3.96mm) Mounting Holes				
07 M3-0.5 Metric Threaded Inserts				
08 #4-40 Unified Threaded Inserts				

**Ordering Code Notes:**  
Consult with EDAC regarding 90 degree bend availability.

## Card Edge Connectors 0.150" (3.81mm) Pitch

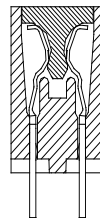


CODE X02 AND X04- THROUGH MTG. HOLES		
	CODE X02	CODE X04
"A" DIA.	0.128(3.25)	0.156(3.96)
CODE X07 AND X08- THREADED INSERTS		
	CODE X07	CODE X08
INSERT	M3-0.5(METRIC)	#4-40 UNC

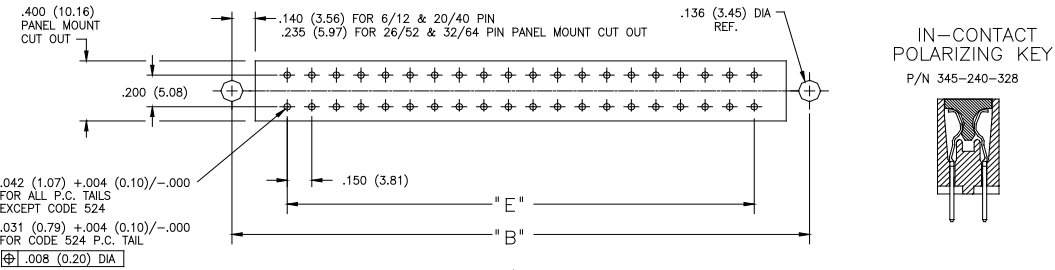
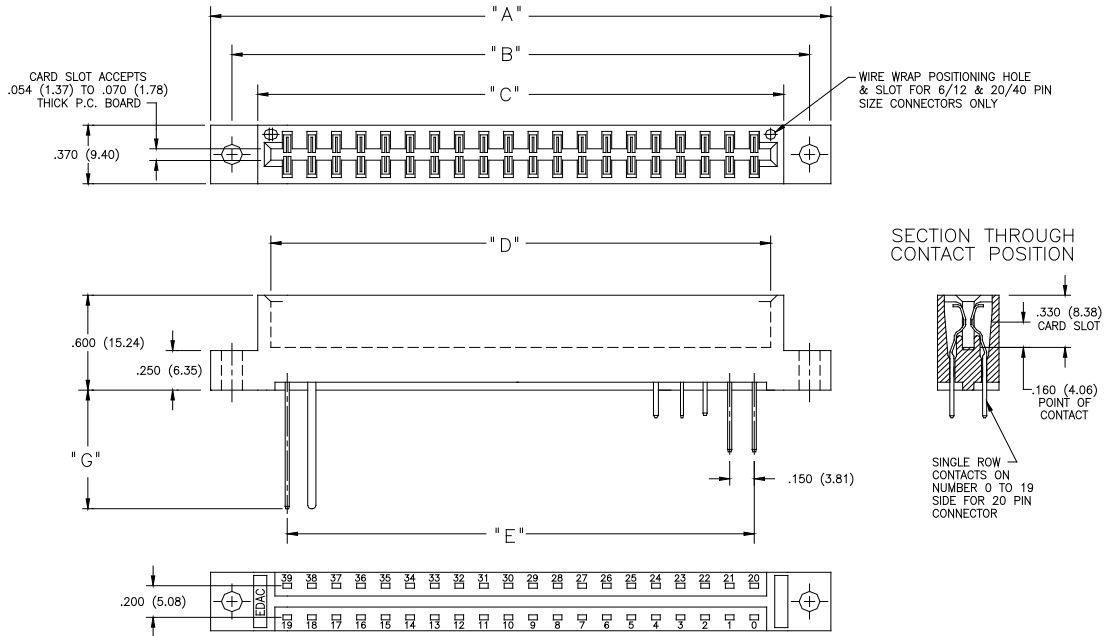


IN-CONTACT POLARIZING KEY  
P/N 345-240-328

CONTACT CODE	A	B
555	0.245(6.22)	
556	0.170(4.32)	
560	0.375(9.53)	

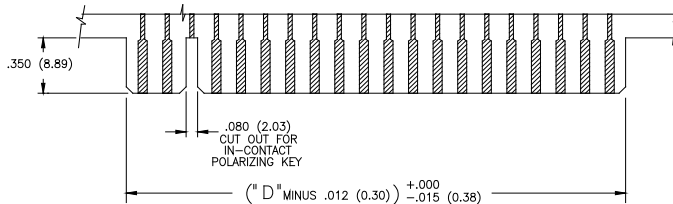


## Card Edge Connectors 0.150" (3.81mm) Pitch



CONNECTOR MOUNTING PATTERN

CONSULT WITH EDAC REGARDING CONNECTORS WITH BETWEEN CONTACT POLARIZING KEY MOULDED INTO POSITION.



RECOMMENDED DAUGHTER BOARD

- SERIES AND MATERIAL CODE SEE NOTE 6
- INSULATOR IDENTITY CODE (213 PPS, BLACK COLOR)
- NUMBER OF CONTACT POSITIONS PER ROW
- OFFSET VARIATION CODE SEE NOTE 3 ON DWG. 345-210-001
- MOUNTING VARIATION CODE SEE NOTE 3 ON DWG. 345-210-001

379-210-032-XXX	32	64	5.675(144.14)	5.410(137.41)	5.100(129.54)	4.940(125.47)	4.650(118.11)
379-210-026-XXX	26	52	4.775(120.78)	4.510(114.55)	4.200(106.68)	4.040(102.62)	3.750(95.25)
379-210-024-XXX	24	48	4.475(113.66)	4.210(106.93)	3.900(99.06)	3.740(95.00)	3.450(87.63)
379-210-020-XXX	20	40	3.875(98.43)	3.610(91.69)	3.300(83.82)	3.140(79.76)	2.850(72.39)
379-210-016-XXX	16	32	3.275(83.18)	3.010(76.45)	2.700(68.58)	2.540(64.52)	2.250(57.15)
379-210-006-XXX	6	12	1.775(45.09)	1.510(38.35)	1.200(30.48)	1.040(26.42)	.750(19.05)
PART NUMBER	SINGLE (# OF CONTACTS)	DUAL (# OF CONTACTS)	A ±.015	B ±.010	C ±.015	D +.010 -.006	E ±.005