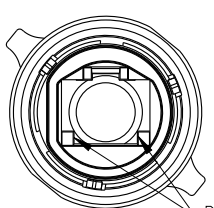
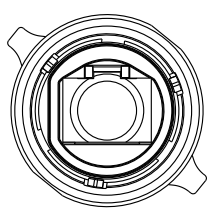
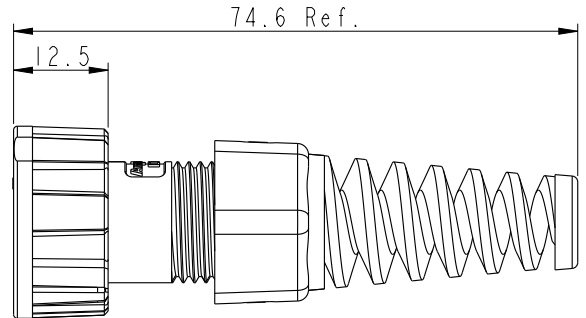
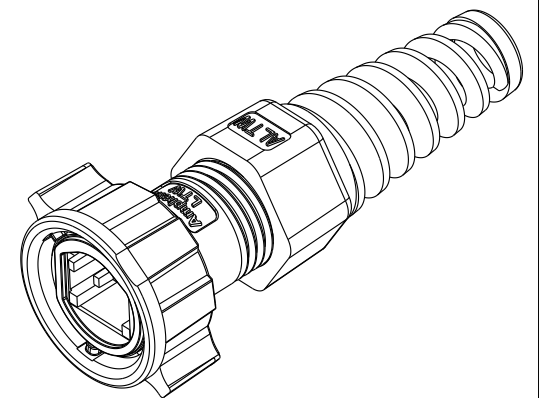
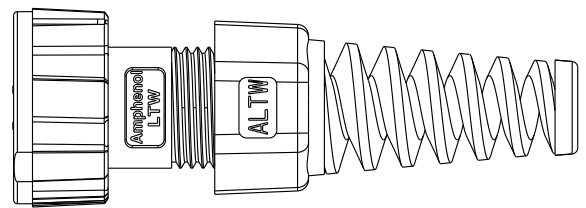
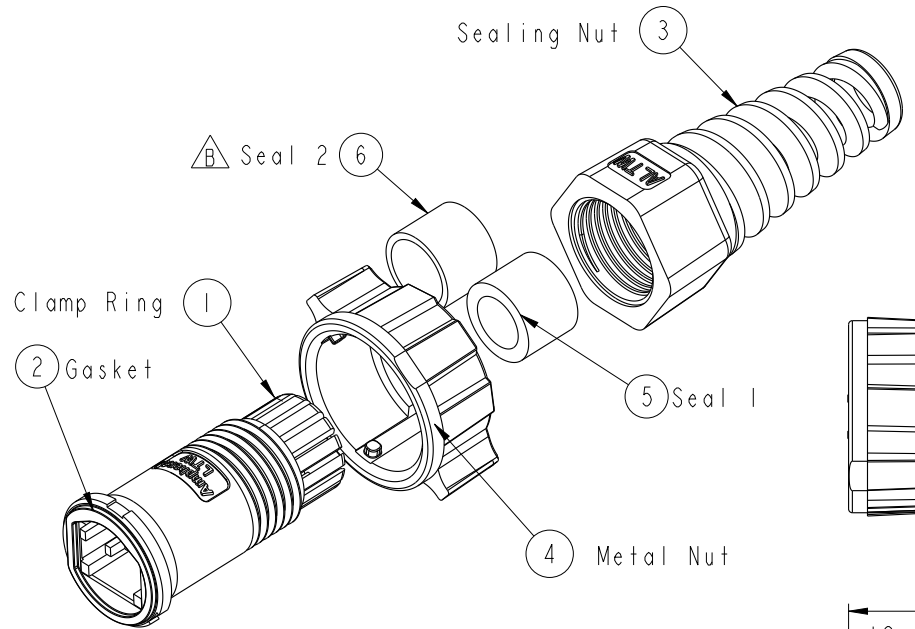


REV.	ECN NO.	DATE	SIGN	DESCRIPTION
A		2017/03/29	Kris	Initial Release
B	CI90019	2018/12/21	Mafei	Adding One Connector.



RCM-00AMMA-TLM7002

RCM-00AMMA-TLM7001

**ALTW**  
**CONFIDENTIAL**  
**2018-12-21**  
**R&D DEPT.**

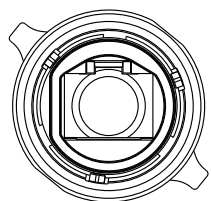
- Note:
- \* 12.5 Important Dimension to Check
  - \* Waterproof Rate: IP67 (Mated)
  - \* Clamp Ring: Nylon, Black.
  - \* Metal Nut: ZINC Alloy, Nickel plated.
  - \* Sealing Nut: Nylon, Black
  - \* Seal & Gasket: Silicone, Drak Gray
  - \* Seal 1 for cable OD range:  $\varnothing 4.5 \sim \varnothing 7.5\text{mm}$ ;
  - \* Seal 2 for cable OD range:  $\varnothing 7.5 \sim \varnothing 8.5\text{mm}$ ;
  - \* One Set Unassembled In One PE Bag.

UNIT: mm			TITLE RJ Field Installable, Metal Nut		
TOLERANCE	.X $\pm 0.25$	.XX $\pm 0.1$	SCALE 1:1	SIZE A4	SHEET 1 OF 2
ANGLES	.XXX $\pm 0.05$	$\pm 1^\circ$	REV. B	WC-REV. A.5	<span style="border: 1px solid black; border-radius: 50%; padding: 2px;">12.5</span> : Inspection item

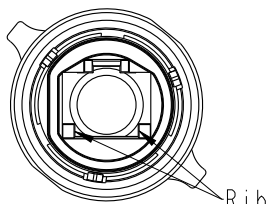
**Amphenol LTW**  
**安費諾亮泰企業股份有限公司**

ITEM NO.	DRAWN BY Mafei	DATE 2018-12-21
DWG NO. RCM-00AMMA-TLM700X	CHECKED BY Jerry	DATE 2018-12-21
CUSTOMER ALTW	APPROVED BY Max	DATE 2018-12-21

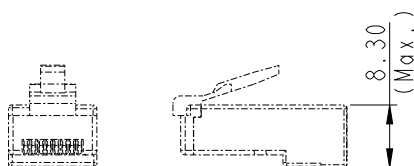
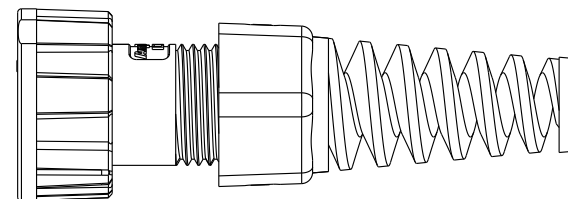
THIS DOCUMENT IS SUBJECT TO CHANGE WITHOUT NOTICE. IT IS CONFIDENTIAL AND A PROPERTY OF Amphenol LTW. DISCLOSURE TO THIRD PARTY HAS TO BE AUTHORIZED BY Amphenol LTW.



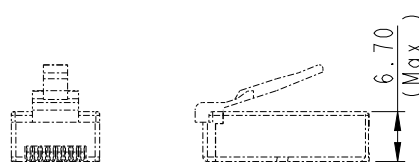
RCM-00AMMA-TLM7002



RCM-00AMMA-TLM7001



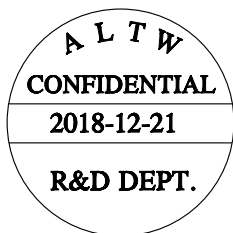
Suggested Plug: Style 2  
For: RCM-00AMMA-TLM7002



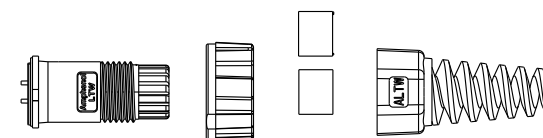
Suggested Plug: Style 1  
For: RCM-00AMMA-TLM7001

RCM-00AMMA-TLM700X

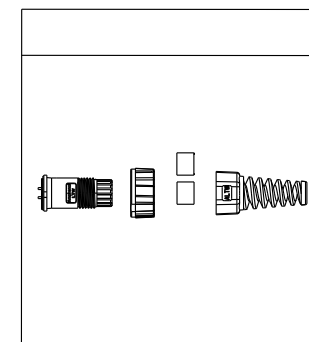
- 1: Suitable for Plug Style 1, Without Plug.
- 2: Suitable for Plug Style 2, Without Plug.



Package

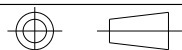


↓ QTY: 1 Set



PE Bag

UNIT: mm



TOLERANCE  
.X ±0.25  
.XX ±0.1  
.XXX ±0.05  
ANGLES ±1°

TITLE RJ Field Installable, Metal Nut			
SCALE 1:1	SIZE A4	SHEET 2 OF 2	
REV. B	WC-REV. A.5	Ⓞ: Inspection item	

**Amphenol LTW**  
安費諾亮泰企業股份有限公司

ITEM NO	DRAWN BY Mafei	DATE 2018-12-21
DWG NO RCM-00AMMA-TLM700X	CHECKED BY Jerry	DATE 2018-12-21
CUSTOMER ALTW	APPROVED BY Max	DATE 2018-12-21