

Stacked MINIPAK Connectors

DESCRIPTION

Stacked MINIPAK products are part of the MINIPAK high density, board-to-board power connector line. MINIPAK connectors are designed to deliver high current using less board space than other power connectors. The Stacked MINIPAK connector is no exception -- it delivers 32 Amps per contact, combining power and signal contacts in a smaller space by stacking the signal contacts above the power contacts, thus reducing the board width.

The width and heights will vary depending on the configuration of the connector. As with all MINIPAK connectors, the Stacked MINIPAK is customizable to meet specific applications.

The Stacked MINIPAK connector also comes in solder or press-fit versions and uses the ELCON dual blade, CROWN BAND technology and built-in alignment features.

APPLICATIONS

- Telecom and Computer
- Routers, Servers, Mini and Super Computers
- Removable Battery Packs
- Uninterruptible Power Systems (UPS)

KEY FEATURES

- High current per linear inch; 32 Amps per contact when fully loaded
- Various configurations available
- Built-in alignment feature
- Shrouded insulator design

FOR MORE INFORMATION

Technical Support

Internet: <http://www.tycoelectronics.com>

USA: 1-800-522-6752

Canada: 1-905-470-4425

UK: 44-1908-574289

Japan: 81-44-844-8013

ELECTRICAL

- Voltage Ratings:
 - AC Power - 125/250 VAC, signal & DC
 - Power - up to 60A
- Insulation Resistance: 5000Ωat 500V DC for 2 minutes
- Dielectric Strength:
 - Power - 1500VAC
 - Signal - 250 VAC for 1 minute

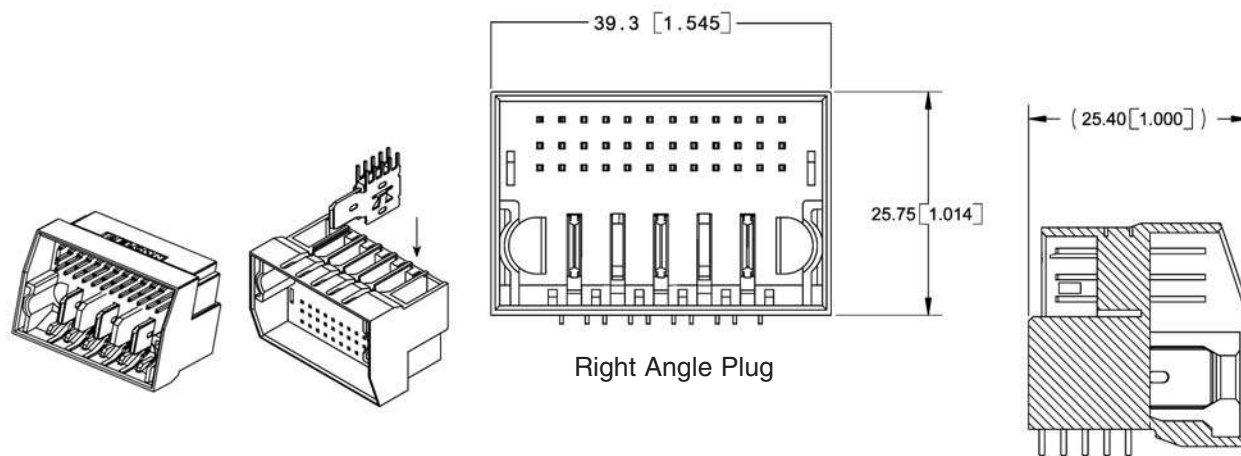
MECHANICAL

- Connector operating temperature range: 40°C to +130°C

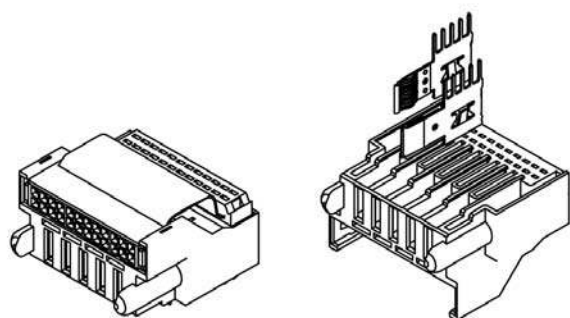
MATERIALS

- Insulators: UL94V-0 flammability rated, color black
- Socket Contacts: phosphor bronze alloy
- Signal Pins - brass alloy; Power Blades - copper alloy

PRODUCT DIMENSIONS

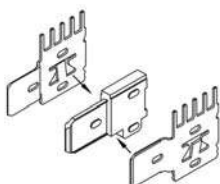


Right Angle Plug



Right Angle Receptacle

Dual Blade Contact
Provides two 15 Amp contacts in the space of one 30 Amp contact



PART NUMBERS

Right Angle PCB Plug					Vertical PCB Receptacle			
Part Number	No. 30A Power	No. 15A Power	Signal Contacts	Tails	Mating Pair Overall Length	Mating Part	Tails	Special Feature
6651742-1	8	12	58		96.00 [3.78"]	6651743-1		Stacked

Co-Planar Stacked MINIPAK Connectors

Right Angle PCB Plug					Right Angle PCB Receptacle			
Part Number	No. 30A Power	No. 15A Power	Signal Contacts	Tails	Mating Pair Overall Length	Mating Part	Tails	Special Feature
1766056-1	2	6	36	Solder	39.30 [1.55"]	1766057-1	Solder	Stacked

Note: All part numbers are RoHS compliant.

Restriction on the use of Hazardous Substances (RoHS)

At Tyco Electronics, we're ready to support your RoHS requirements. We've assessed more than 1.5 million end items/components for RoHS compliance, and issued new part numbers where any change was required to eliminate the restricted materials. Part numbers in this catalog are identified as:

RoHS Compliant — Part numbers in this catalog are RoHS Compliant, unless marked otherwise. These products comply with European Union Directive 2002/95/EC as amended 1 January 2006 that restricts the use of lead, mercury, cadmium, hexavalent chromium, PBB, and PBDE in certain electrical and electronic products sold into the EU as of 1 July 2006.

NOTE: For purposes of this Catalog, included within the definition of RoHS Compliant are products that are clearly "Out of Scope" of the RoHS Directive such as hand tools and other non-electrical accessories.

NOTE: Information regarding RoHS compliance is provided based on reasonable inquiry of our suppliers and represents our current actual knowledge based on the information provided by our suppliers. This information is subject to change. For latest compliance status, refer to our website referenced at right.

Getting the Information You Need

Our comprehensive on-line RoHS Customer Support Center provides a forum to answer your questions and support your RoHS needs. A RoHS FAQ (Frequently Asked Questions) is available with links to more detailed information. You can also submit RoHS questions and receive a response within 24 hours during a normal work week. The Support Center also provides:

- Cross-Reference from Non-compliant to Compliant Products
- Ability to browse RoHS Compliant Products in our on-line catalog
- Downloadable Technical Data Customer Information Presentation
- More detailed information regarding the definitions used above
- So whatever your questions when it comes to RoHS, we've got the answers at www.tycoelectronics.com/leadfree



Disclaimer

While Tyco Electronics Corporation and its affiliates referenced herein ("Tyco Electronics") have made every reasonable effort to ensure the accuracy of the information in this catalog, Tyco Electronics does not guarantee that it is error free, nor does Tyco Electronics make any other representation, warranty or guarantee that the information is accurate, correct reliable or current.

Tyco Electronics reserves the right to make any adjustments to the information contained herein at any time without notice. Tyco Electronics expressly disclaims all implied warranties regarding the information contained herein, including, but not limited to, any implied warranties of merchantability or fitness for a particular purpose. Tyco Electronics' only obligations are those in the Tyco Electronics Standard Terms and Conditions of Sale, and in no case will Tyco Electronics be responsible for any incidental, indirect, or consequential damages arising from the sale, resale, or misuse of its products. Users should independently evaluate the suitability of, and test each product for, their application.