

## D-SERIES DRI DRIKITP 230VAC 2CO LD

**Weidmüller Interface GmbH & Co. KG**  
 Klingenbergstraße 16  
 D-32758 Detmold  
 Germany  
 Fon: +49 5231 14-0  
 Fax: +49 5231 14-292083  
 www.weidmueller.com

### Product image



Similar to illustration

Our relay kits are particularly convenient to use. The kits are delivered fully assembled and 100 % function-tested. This saves assembly time and reduces the number of parts required.

- Assembled kit consisting of relay, base and retaining clip, incl. label
- 100% function-tested
- 100% control of the dielectric strength input - output
- Optional: test button with coloured control voltage marking (AC coil: red / DC coil: blue) and mechanical switch position indicator
- Bright status LED (AC coil: red / DC coil: green)

### General ordering data

|            |   |
|------------|---|
| Type       | DRIKITP 230VAC 2CO LD   |
| Order No.  | <a href="#">2576270000</a>  |
| Version    | D-SERIES DRI, Relay module, No. of contacts: 2<br>CO contact AgNi, Rated control voltage: 230 V AC,<br>Continuous current: 5 A, PUSH IN with actuator |
| GTIN (EAN) | 4050118586039   |
| Qty.       | 10 pc(s).   |

**D-SERIES DRI  
DRIKITP 230VAC 2CO LD**

**Weidmüller Interface GmbH & Co. KG**  
Klingenbergstraße 16  
D-32758 Detmold  
Germany  
Fon: +49 5231 14-0  
Fax: +49 5231 14-292083  
www.weidmueller.com

**Technical data**
**Dimensions and weights**

|            |          |                 |            |
|------------|----------|-----------------|------------|
| Width      | 15.9 mm  | Width (inches)  | 0.626 inch |
| Height     | 102.1 mm | Height (inches) | 4.02 inch  |
| Depth      | 63 mm    | Depth (inches)  | 2.48 inch  |
| Net weight | 58.961 g |                 |            |

**Temperatures**

|                             |  |                             |                |
|-----------------------------|--|-----------------------------|----------------|
| Humidity                    | 35...85 % rel. humidity, no condensation | Operating temperature, max. | 55 °C          |
| Operating temperature, min. | -40 °C                                   | Storage temperature, max.   | 85 °C          |
| Storage temperature, min.   | -40 °C                                   | Operating temperature       | -40 °C...85 °C |
| Storage temperature         | -40 °C...85 °C                           |                             |                |

**Environmental Product Compliance**

REACH SVHC Lead 7439-92-1

**Input**

|                       |                |                                |                 |
|-----------------------|----------------|--------------------------------|-----------------|
| Rated control voltage | 230 V AC       | Rated current AC               | 4,9 mA          |
| Power rating          | 1.1 VA         | Pull-in/drop-out voltage, typ. | 184 V / 69 V AC |
| Coil resistance       | 23500 Ω ± 10 % | Status indicator               | Red LED         |

**Output**

|   |                            |   |              |
|---|----------------------------|---|--------------|
| Rated switching voltage                 | 250 V AC                   | Max. switching voltage, AC              | 250 V        |
| Max. switching voltage, DC              | 250 V                      | Continuous current                      | 5 A          |
| AC switching capacity (resistive), max. | 1250 VA                    | DC switching capacity (resistive), max. | 150 W @ 24 V |
| Switch-on delay                         | ≤ 15 ms                    | Switch-off delay                        | ≤ 10 ms      |
| Min. switching power                    | 10 mA @ 12 V, 100 mA @ 5 V | Max. switching frequency at rated load  | 0.1 Hz       |

**Contact data**

|              |                     |                         |                                       |
|--------------|---------------------|-------------------------|---------------------------------------|
| Contact type | 2 CO contact (AgNi) | Mechanical service life | 10 x 10 <sup>6</sup> switching cycles |
|--------------|---------------------|-------------------------|---------------------------------------|

**General data**

|                                      |       |             |       |
|--------------------------------------|-------|-------------|-------|
| Mounting rail                        | TS 35 | Test button | No    |
| Mechanical switch position indicator | No    | Colour      | Black |

**Insulation coordination**

|  |                    |  |                                |
|--|--------------------|--|--------------------------------|
| Rated voltage                                      | 250 V              | Surge voltage category                       | III                            |
| Pollution severity                                 | 2                  | Insulating material group                    | IIIb                           |
| Protection degree                                  | IP20               | Dielectric strength input - output           | 5 kV <sub>eff</sub> / 1 min    |
| Creepage and clearance distance input - output     | ≥ 3 mm             | Dielectric strength of neighbouring contacts | 1.5 kV <sub>eff</sub> / 1 min. |
| Impulse withstand voltage at neighbouring contacts | 4.8 kV (1.2/50 μs) | Dielectric strength of open contact          | 1 kV <sub>eff</sub> / 1 min    |
| Impulse withstand voltage                          | 5 kV (1.2/50 μs)   |  |                                |

**D-SERIES DRI  
DRIKITP 230VAC 2CO LD**

**Weidmüller Interface GmbH & Co. KG**  
Klingenbergstraße 16  
D-32758 Detmold  
Germany  
Fon: +49 5231 14-0  
Fax: +49 5231 14-292083  
www.weidmueller.com

**Technical data**
**Further details of approvals / standards**

|                              |  |                               |         |
|------------------------------|--|-------------------------------|---------|
| Standards                    | IEC 61810-1, EN 60664-1:2007, EN 61000-6-2:2005, EN 61000-6-4:2007 + A1:2011 | Certificate no. (cURus) relay | E312083 |
| Certificate no. (cURus) base | E312083  |                               |         |

**Connection data**

|   |                       |   |                      |
|---|-----------------------|---|----------------------|
| Wire connection method  | PUSH IN with actuator | Stripping length, rated connection  | 10 mm                |
| Clamping range, rated connection  | 1.5 mm <sup>2</sup>   | Clamping range, min.  | 0.14 mm <sup>2</sup> |
| Clamping range, max.  | 1.5 mm <sup>2</sup>   | Wire connection cross section AWG, min.   | AWG 26               |
| Wire connection cross section AWG, max.   | AWG 16                | Wire cross-section, solid, min.   | 0.14 mm <sup>2</sup> |
| Wire cross-section, solid, max.   | 1.5 mm <sup>2</sup>   | Wire connection cross-section, finely stranded, min.                                    | 0.14 mm <sup>2</sup> |
| Wire connection cross section, finely stranded, max.                                    | 1.5 mm <sup>2</sup>   | Wire connection cross-section, finely stranded with wire-end ferrules DIN 46228/4, min. | 0.14 mm <sup>2</sup> |
| Wire connection cross-section, finely stranded with wire-end ferrules DIN 46228/4, max. | 1 mm <sup>2</sup>     | Conductor cross-section, flexible, AEH (DIN 46228-1), min.                              | 0.14 mm <sup>2</sup> |
| Conductor cross-section, flexible, AEH (DIN 46228-1), max.                              | 1.5 mm <sup>2</sup>   | Blade size  | 0.4 x 2.5 mm         |

**Classifications**

|            |             |            |             |
|------------|-------------|------------|-------------|
| ETIM 6.0   | EC001437    | eClass 6.2 | 27-37-16-01 |
| eClass 9.1 | 27-37-16-01 |            |             |

**Downloads**

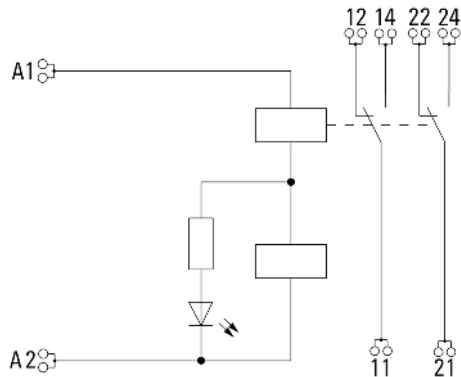
|   |   |
|---|---|
| Approval/Certificate/Document of Conformity | <a href="#">EU Konformitätserklärung / EU Declaration of Conformity</a> |
| Engineering Data                            | <a href="#">EPLAN</a>   |

**D-SERIES DRI  
DRIKITP 230VAC 2CO LD**

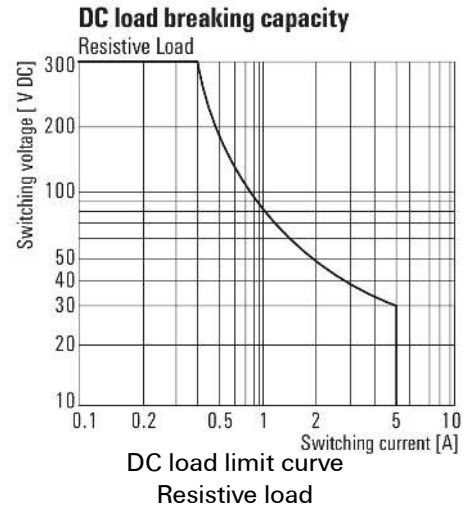
**Weidmüller Interface GmbH & Co. KG**  
 Klingenbergstraße 16  
 D-32758 Detmold  
 Germany  
 Fon: +49 5231 14-0  
 Fax: +49 5231 14-292083  
 www.weidmueller.com

**Drawings**

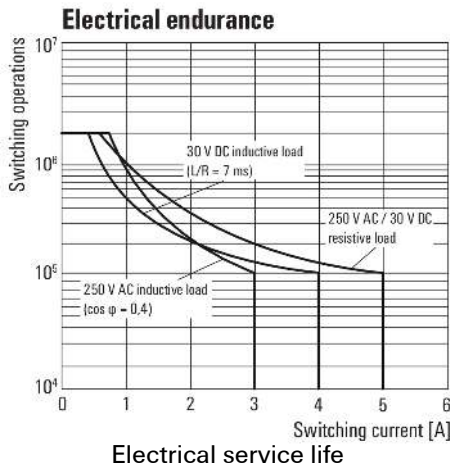
**Wiring diagram**



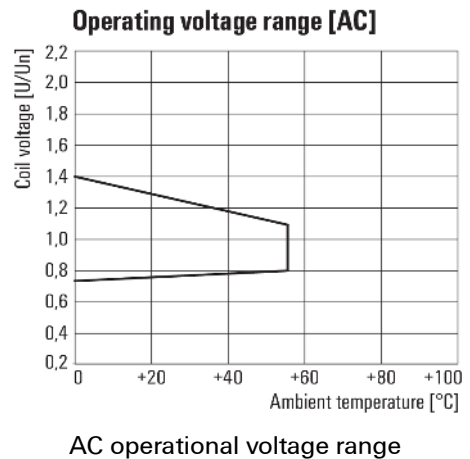
**Graph**



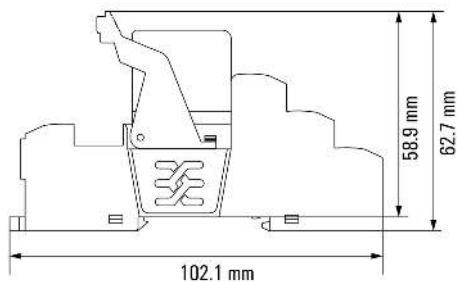
**Graph**



**Graph**



**Dimensional drawing**



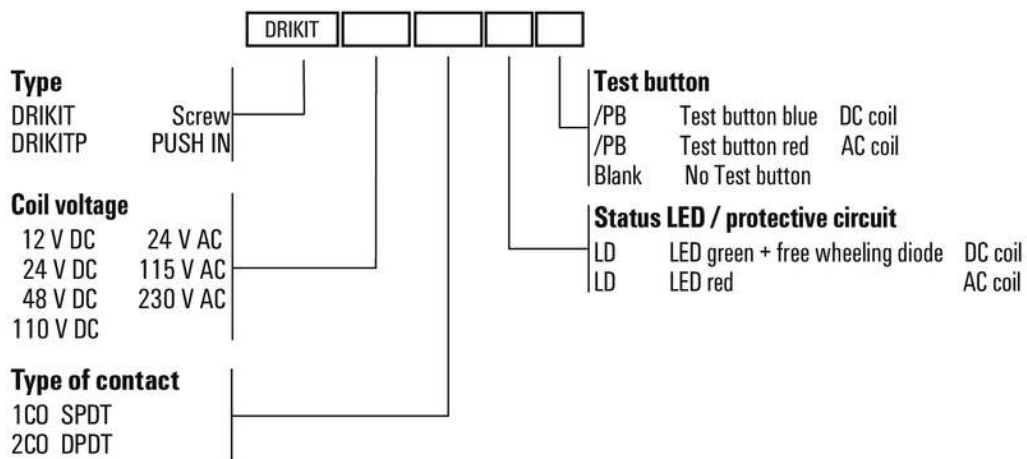
Relay in combination with base

**D-SERIES DRI  
DRIKITP 230VAC 2CO LD**

**Weidmüller Interface GmbH & Co. KG**  
 Klingenbergstraße 16  
 D-32758 Detmold  
 Germany  
 Fon: +49 5231 14-0  
 Fax: +49 5231 14-292083  
 www.weidmueller.com

**Drawings**

**Miscellaneous**



Type codes