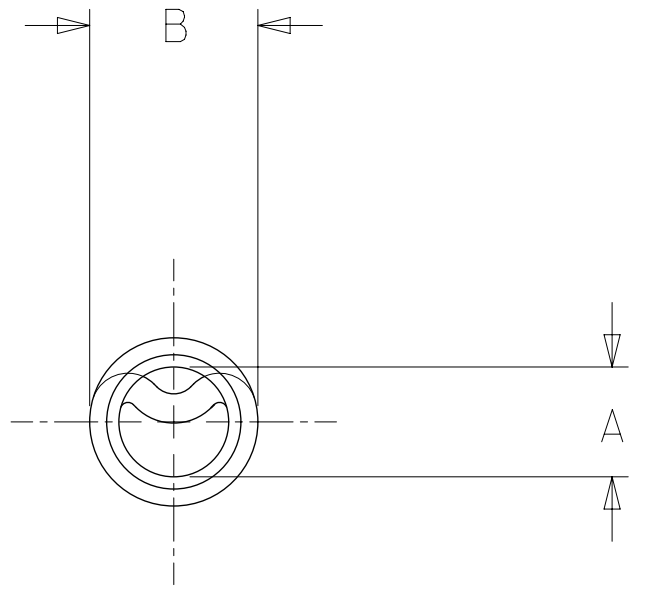
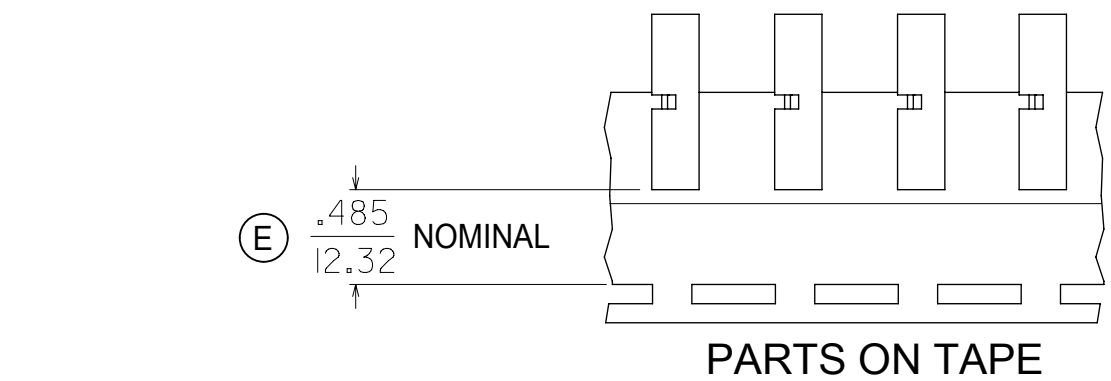
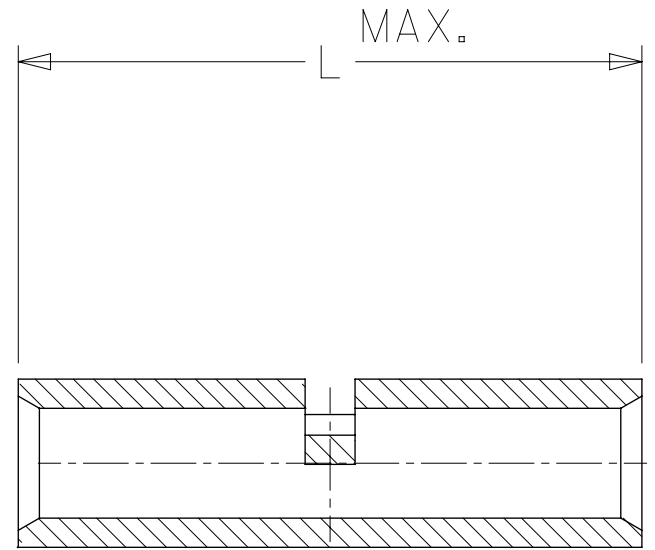


MATERIAL NO.	ENGINEERING NO.	"L" MAX	"A" MIN <sup>(E)</sup>	"B" MAX	PACKAGING
192150028	CS-346	.827/21.00	.139/3.53	.223/5.66	LOOSE PIECE
192150030	CS-346T	.827/21.00	.139/3.53	.223/5.66	TAPE MOUNTED
192150252	CS-346US	.827/21.00	.139/3.53	.223/5.66	LOOSE PIECE
192150256	CS-346UST	.827/21.00	.139/3.53	.223/5.66	TAPE MOUNTED



# SALES DRAWING

- NOTES:
1. MATERIAL: COPPER.
  2. PLATING: ELECTRO-TIN.
  3. ALL DIMENSIONS IN INCHES/mm.
  - <sup>(E)</sup> 4. PART IS ROHS COMPLIANT.

THIS DRAWING CONTAINS INFORMATION THAT IS PROPRIETARY TO MOLEX ELECTRONIC TECHNOLOGIES, LLC AND SHOULD NOT BE USED WITHOUT WRITTEN PERMISSION											
DIMENSION UNITS		SCALE		CURRENT REV DESC: OBSOLETED PART NUMBER						<b>molex</b>	
IN/MM		NTS									
GENERAL TOLERANCES (UNLESS SPECIFIED)				EC NO: 640784		2020/06/04		BUTT CONNECTOR SEAMLESS 12-10 AWG WIRE SIZE			
				DRWN: RPRABHUM		2020/07/29					
				CHK'D: GGA		2020/07/29		PRODUCT CUSTOMER DRAWING			
				APPR: GGA		2020/07/29					
				INITIAL REVISION:				DOCUMENT NUMBER <b>SD-19215-003</b>			
				DRWN: JLOMASTRO		2005/01/07					
				APPR: RDEROSS		2005/01/07		DOC TYPE PSD		DOC PART 001	REVISION F
DRAFT WHERE APPLICABLE MUST REMAIN WITHIN DIMENSIONS				THIRD ANGLE PROJECTION		DRAWING B-SIZE	SERIES 19215	MATERIAL NUMBER SEE CHART		CUSTOMER GENERAL MARKET	
										SHEET NUMBER 1 OF 1	