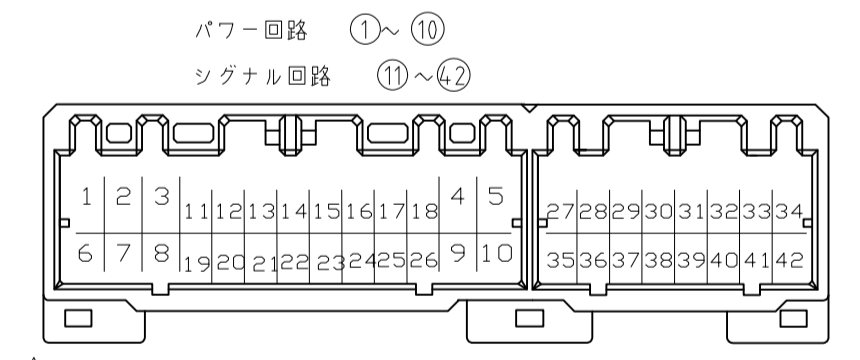
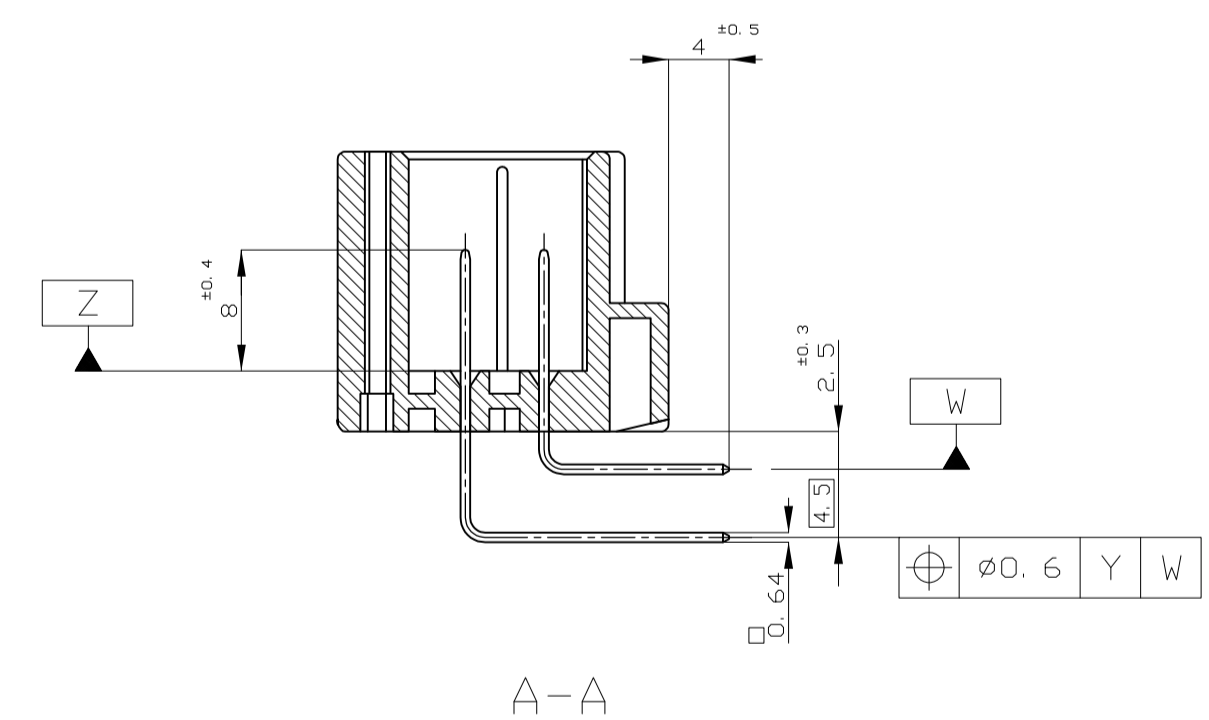


- △ [] 面から2mmの範囲で測定
- 2 嵌合相手ハウジング型 174514, 174516, 917981, 917992
- 3 推奨取付ねじ: JIS B1115, B1122 タッピングねじ, なべ2種 呼び径3, 長さ6mm以下 (締付けトルク: 0.4N-m (4kg-cm) 以下)
- 4 適用製品規格番号: 108-5280, 5342



- △ 回路番号:
- パワー回路 ①~⑩
- シグナル回路 ⑪~④②
- △ コンタクト仕上識別マーク
- △ MUST BE KEPT BETWEEN [] AND 2
- 2 THE MATING PLUG HSG. PART NUMBER; 174514, 174516, 917981, 917992
- 3 RECOMMENDED MOUNTING SCREW; 3mmDIA, 6mmLENGTH(MAX.)
- PAN HEAD, CLASS 2 TAPPING SCREW SPECIFIED IN JIS B1115, B1122
- <TIGHTENING TORQUE; 0.4N-m(4kg-cm)MAX.>
- 4 APPLICABLE PRODUCT SPEC NO ; 108-5280, 108-5342
- △ CIRCUIT NUMBER
- POWER CIRCUIT NO. ①~⑩
- SIGNAL CIRCUIT NO. ⑪~④②
- △ MARKING FOR DISCERNMENT OF THE CONTACT FINISH



NO.	FINISH	PLATING	THICKNESS	CONTACT SIDE	POWER CIRCUIT NO.	SIGNAL CIRCUIT NO.	HOUSING COLOR	PART NO.
54	SELECTIVE-TIN (MATT)	PRE-TINNED × 31	SELECTIVE GOLD × 11	⑩	②③-②④ ②⑤-④②	GRAY 反色	4-5175446-6	
59	SELECTIVE-TIN (MATT)	PRE-TINNED × 40	SELECTIVE GOLD × 2	---	⑬ ⑲	GRAY 反色	9-5175446-6	
58	SELECTIVE-TIN (MATT)	PRE-TINNED × 26	SELECTIVE GOLD × 16	---	⑪-⑲	GRAY 反色	8-5175446-6	
58	SELECTIVE-TIN (MATT)	PRE-TINNED × 26	SELECTIVE GOLD × 16	---	⑪-⑲	NATURAL 自然色	8-5175446-1	
56	SELECTIVE-TIN (MATT)	PRE-TINNED × 25	SELECTIVE GOLD × 17	⑨	⑲-④②	NATURAL 自然色	6-5175446-1	
54	SELECTIVE-TIN (MATT)	PRE-TINNED × 34	SELECTIVE GOLD × 8	---	⑲-④②	NATURAL 自然色	4-5175446-1	
53	SELECTIVE-TIN (MATT)	PRE-TINNED × 36	SELECTIVE GOLD × 6	---	⑳ ⑳ ㉑ ㉒ ㉓ ㉔ ㉕	GRAY 反色	3-5175446-6	
53	SELECTIVE-TIN (MATT)	PRE-TINNED × 34	SELECTIVE GOLD × 8	---	⑬ ⑬ ⑱ ⑲ ㉑ ㉒ ㉓ ㉔ ㉕	NATURAL 自然色	3-5175446-1	
52	SELECTIVE-TIN (MATT)	PRE-TINNED × 10	SELECTIVE GOLD × 32	---	⑪-④②	GRAY 反色	2-5175446-6	
52	SELECTIVE-TIN (MATT)	PRE-TINNED × 10	SELECTIVE GOLD × 32	---	⑪-④②	NATURAL 自然色	2-5175446-1	
55	SELECTIVE-TIN (MATT)	PRE-TINNED × 30	SELECTIVE GOLD × 12	---	⑲-④② ㉑ ㉒ ㉓ ㉔ ㉕	NATURAL 自然色	5-5175446-1	
9	TIN-LEAD	PRE-TINNED × 40	SELECTIVE-TIN (BRIGHT) × 30	---	⑲ ⑲	GRAY 反色	9-175446-6	
8	TIN-LEAD	PRE-TINNED × 26	SELECTIVE GOLD × 16	---	⑲ ⑲	GRAY 反色	8-175446-6	
8	TIN-LEAD	PRE-TINNED × 26	SELECTIVE GOLD × 16	---	⑲ ⑲	GRAY 反色	8-175446-2	
8	TIN-LEAD	PRE-TINNED × 26	SELECTIVE GOLD × 16	---	⑲ ⑲	GRAY 反色	8-175446-1	
7	TIN-LEAD	PRE-TINNED × 39	SELECTIVE GOLD × 3	---	⑬ ⑬	BLUE 青色	7-175446-5	
6	TIN-LEAD	PRE-TINNED × 25	SELECTIVE GOLD × 17	⑨	⑲-④②	NATURAL 自然色	6-175446-1	
5	TIN-LEAD	PRE-TINNED × 30	SELECTIVE GOLD × 12	---	⑲-④② ㉑ ㉒ ㉓ ㉔ ㉕	NATURAL 自然色	5-175446-1	
4	TIN-LEAD	PRE-TINNED × 31	SELECTIVE GOLD × 11	⑩	⑲ ⑲ ㉑ ㉒ ㉓ ㉔ ㉕	GRAY 反色	4-175446-6	
4	TIN-LEAD	PRE-TINNED × 31	SELECTIVE GOLD × 11	⑩	⑲ ⑲ ㉑ ㉒ ㉓ ㉔ ㉕	GRAY 反色	4-175446-1	
4	TIN-LEAD	PRE-TINNED × 34	SELECTIVE GOLD × 8	---	⑲-④②	NATURAL 自然色	4-175446-1	
3	TIN-LEAD	PRE-TINNED × 36	SELECTIVE GOLD × 6	---	⑳ ⑳ ㉑ ㉒ ㉓ ㉔ ㉕	GRAY 反色	3-175446-6	
3	TIN-LEAD	PRE-TINNED × 36	SELECTIVE GOLD × 6	---	⑳ ⑳ ㉑ ㉒ ㉓ ㉔ ㉕	GRAY 反色	3-175446-1	
3	TIN-LEAD	PRE-TINNED × 34	SELECTIVE GOLD × 8	---	⑬ ⑬ ⑱ ⑲ ㉑ ㉒ ㉓ ㉔ ㉕	NATURAL 自然色	3-175446-1	
2	TIN-LEAD	PRE-TINNED × 10	SELECTIVE GOLD × 32	---	⑪-④②	GRAY 反色	2-175446-6	
2	TIN-LEAD	PRE-TINNED × 10	SELECTIVE GOLD × 32	---	⑪-④②	NATURAL 自然色	2-175446-1	
0	PRE-TINNED	銅めっき × 42	---	---	---	GRAY 反色	175446-6	
1	SELECTIVE-TIN (MATT)	銅めっき × 42	SELECTIVE-TIN (銅めっき) × 42	---	---	NATURAL 自然色	175446-2	
0	PRE-TINNED	銅めっき × 42	---	---	---	NATURAL 自然色	175446-1	

GENERAL TOLERANCE

0<X<1	10	±0.2
10<X<30	±0.25	
30<X<100	±0.3	
ANGLES	±3°	

THIS DRAWING IS A CONTROLLED DOCUMENT.

APVD: M. KADOSAKI 17MAY05
CHK: T. SHINOHARA 17MAY05

APVD: K. BETSUJI 17MAY05

PRODUCT SPEC: 製品規格
APPLICATION SPEC: 取付適用規格

SIZE: A1
CASE CODE: 00779
DRAWING NO: 175446

SCALE: 2:1
SHEET: 1 of 1
REV: N8

CUSTOMER DRAWING