

SAIE-M12SL-0.3VFM16-2.5

Weidmüller Interfaces GmbH & Co. KG

Postfach 3030

32760 Detmold

Tel. +49 5231 14-0

Fax. +49 5231 14-2083

info@weidmueller.com

www.weidmueller.com



Your peripheral devices should be supplied with greater power. With our new M12 plug-in connector, more than 250 V and 2 A is possible without problems. The compact S- and T-coded M12 plug-in connectors are designed for the transmission of up to 630 V AC or 60 V DC and 12 A.

General ordering data

Version	Built-in plugs, M12, pin, straight, Number of poles: 5, 0.3 m, Front mounting
Order No.	2530790000
Type	SAIE-M12SL-0.3VFM16-2.5
GTIN (EAN)	4050118540918
Qty.	1 pc(s).

SAIE-M12SL-0.3VFM16-2.5

Weidmüller Interfaces GmbH & Co. KG

Postfach 3030

32760 Detmold

Tel. +49 5231 14-0

Fax. +49 5231 14-2083

info@weidmueller.com

www.weidmueller.com

Technical data

Dimensions and weights

Net weight 50 g

Environmental Product Compliance

REACH SVHC Lead 7439-92-1 SCIP ebf89fc8-a87f-4691-b87a-dfb9921774b4

Technical data customisable plug-in connectors

Coding	L	Contact surface	Gold-plated
Housing main material	Zinc diecast	Number of poles	5
Protection degree	IP67, when screwed in	Rated current	16 A
Rated voltage	63 V	Temperature range of housing	-40 ... +85 ° C

General data

Cable length	0.3 m	Coding	L
Conductor O.D.	-	Connection thread	M12
Contact material	Cu	Contact surface	Gold-plated
Core cross-section	2.5 mm ²	Housing main material	Zinc diecast
Mounting thread	M 16	Number of poles	5
Protection degree	IP67, when screwed in	Rated current	16 A
Rated voltage	63 V	Temperature range of housing	-40 ... +85 ° C
Type of mounting	Front mounting		

Classifications

ETIM 6.0	EC002635	ETIM 7.0	EC003570
ETIM 8.0	EC003570	ECLASS 9.0	27-44-01-03
ECLASS 9.1	27-44-01-03	ECLASS 10.0	27-44-01-03
ECLASS 11.0	27-44-01-03	ECLASS 12.0	27-44-01-03

Approvals

ROHS Conform

Downloads

Catalogues [Catalogues in PDF-format](#)

SAIE-M12SL-0.3VFM16-2.5

Weidmüller Interfaces GmbH & Co. KG

Postfach 3030

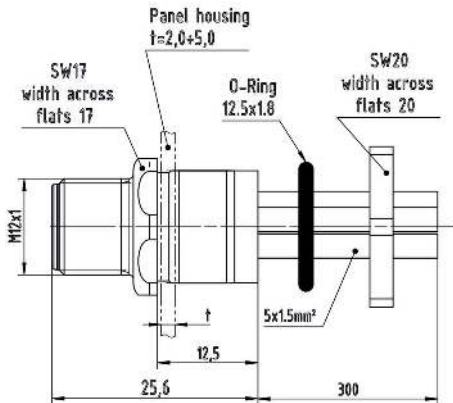
32760 Detmold

Tel. +49 5231 14-0

Fax. +49 5231 14-2083

Drawings

Dimensioned drawing



Installation cut-out info@weidmueller.com

www.weidmueller.com