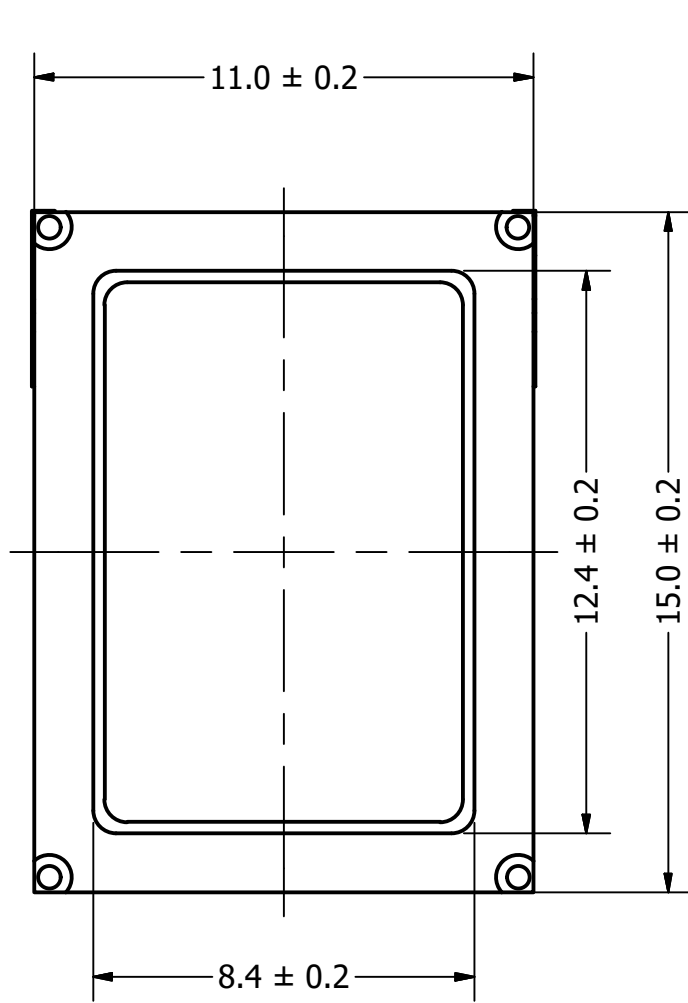
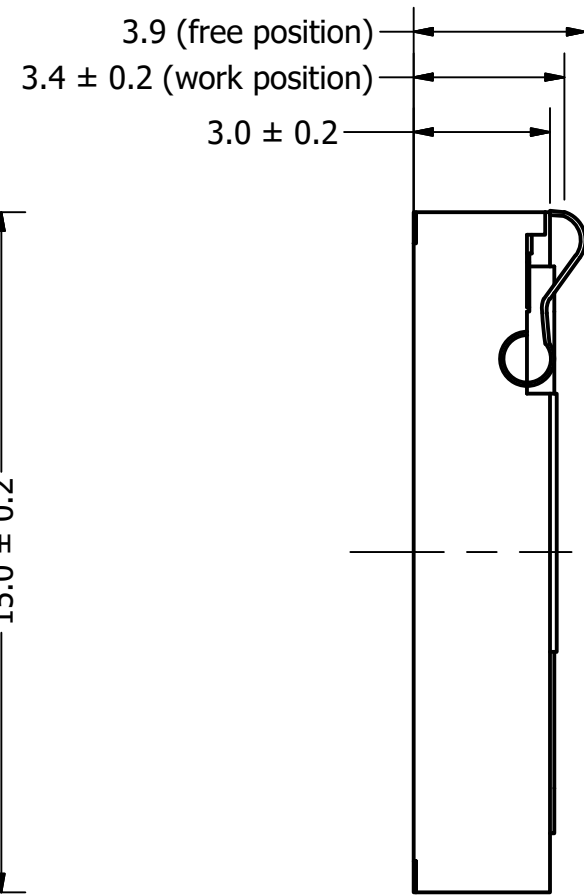


Part Number:	SM150506-1	
	DRAWN CJ	8/19/2015
Description:	Dynamic Speaker	
	CHECKED P.D.	8/28/2015
	APPROVED J.S.	8/28/2015
This document contains data proprietary to DB Unlimited. Any use or reproduction, in any form, without prior written permission of DB Unlimited is prohibited. All terms and conditions can be found at www.dbunlimitedco.com		

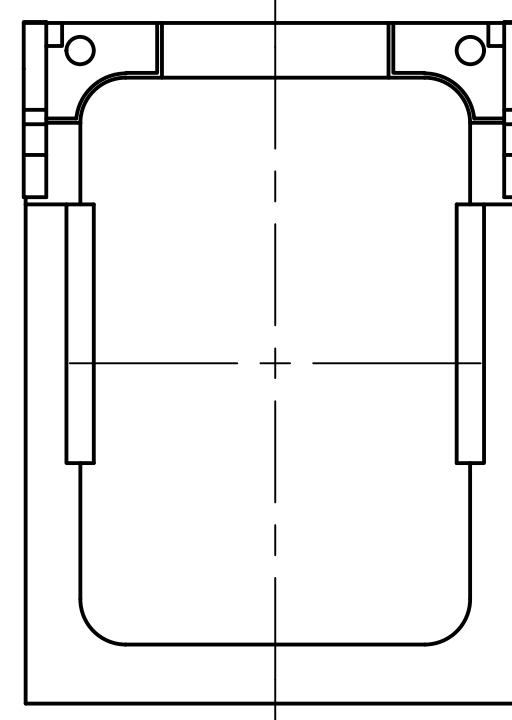
Top View



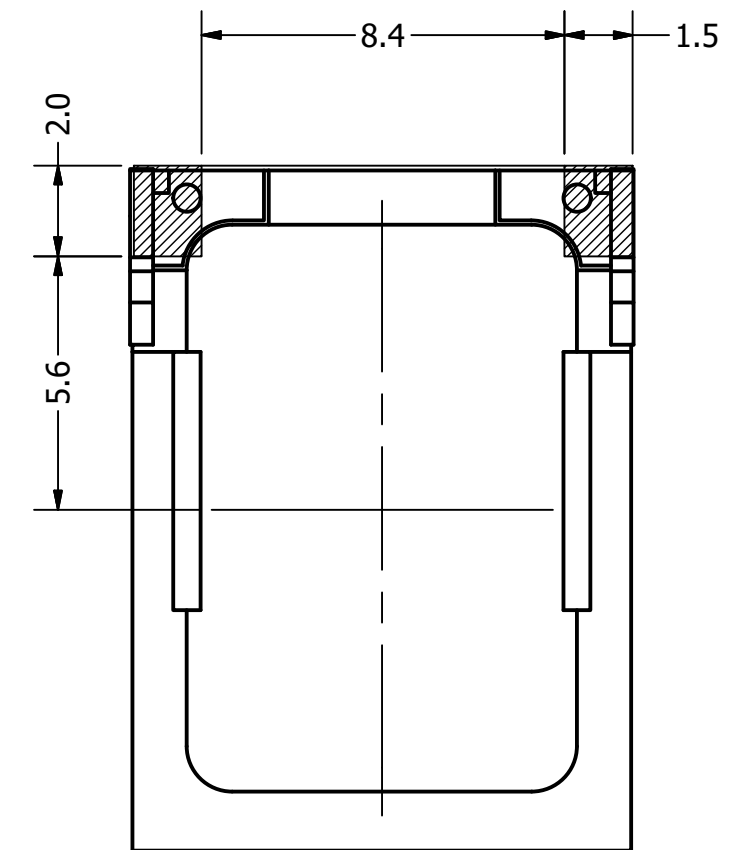
Side View



Bottom View



Recommendable Land Pattern



Items	Specifications	Conditions
Sound Pressure Level	92	dB (@ 10cm)
Resonant Frequency	500	Hz
Frequency Range	500 ~ 20,000	Hz
Nominal Power	0.7	W
Max. Power	1	W
Impedance	6	Ω
Cone Material	Mylar	
Mount Type	Flush Mount	
Storage Temperature	-20 ~ +70	°C
Operating Temperature	-20 ~ +70	°C
Weight	1.6	g

REVISION HISTORY			
REV	DESCRIPTION	DATE	APPROVED
	Released from Engineering	2/18/2015	J.S.
1	Updated to new template	8/28/2015	J.S.

NOTES	
1)	All dimensions are in mm unless otherwise noted
2)	All tolerances are ± 0.3 mm unless otherwise noted
3)	All parts meet RoHS
4)	Subject to change or redrawn without notice